

# MERITOR® ALL-MAKES DRIVE AXLE COMPONENTS



**MERITOR®**

Visit us today at  
MeritorPartsOnline.com



- 🖱 Place your order
- 🖱 Check Price and Availability
- 🖱 Retrieve Invoices
- 🖱 and more!

# TABLE OF CONTENTS

## **MERITOR™**

RD20145 .....	5
RDL20145 .....	9
RP20145 .....	13
RPL20145 .....	17
RR20145 .....	21
RRL20145 .....	25
RD23160 .....	29
RPL23160 .....	33
RR23160 .....	37
RRL23160 .....	39
SQ100 FRONT .....	43
SQ100P FRONT .....	47
SQ100 REAR .....	49

## **DANA™**

RA472 FORWARD .....	53
RA472 REAR .....	57
RA474 FORWAD .....	59
RA474 REAR .....	63
N400F .....	65
N400R .....	69
M190 - M200T .....	71
G175T .....	73
RA29 - RA39 .....	75
S150S .....	77

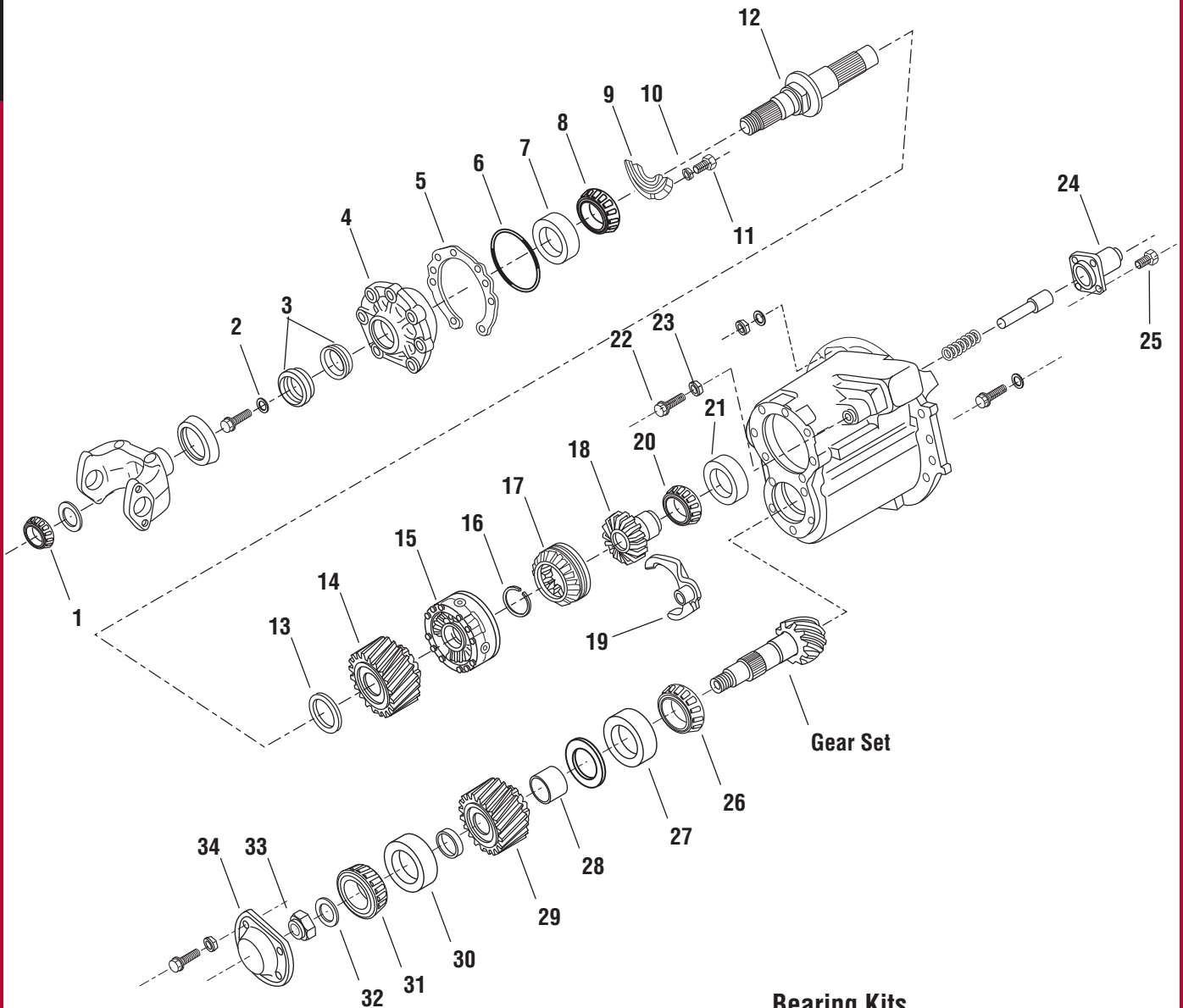
## **EATON™**

DS402 .....	79
RS402 .....	83
DS404 - 344 .....	85
RS404 - 344 - 19060S .....	89
DSP40 .....	91
RSP40 .....	93

## **KITS**

Kit and Component Numbers .....	96
Kit Interchange .....	109
Part No. Index .....	110

# INPUT SHAFT AND INTER-AXLE DIFFERENTIAL



## Bearing Kits

- M10-DRK-4395 — Pre 11/93 build
- M10-DRK-4396 — After 11/93 build

See Kits section for complete BOM.

## Input Shaft and Inter-Axle Differential

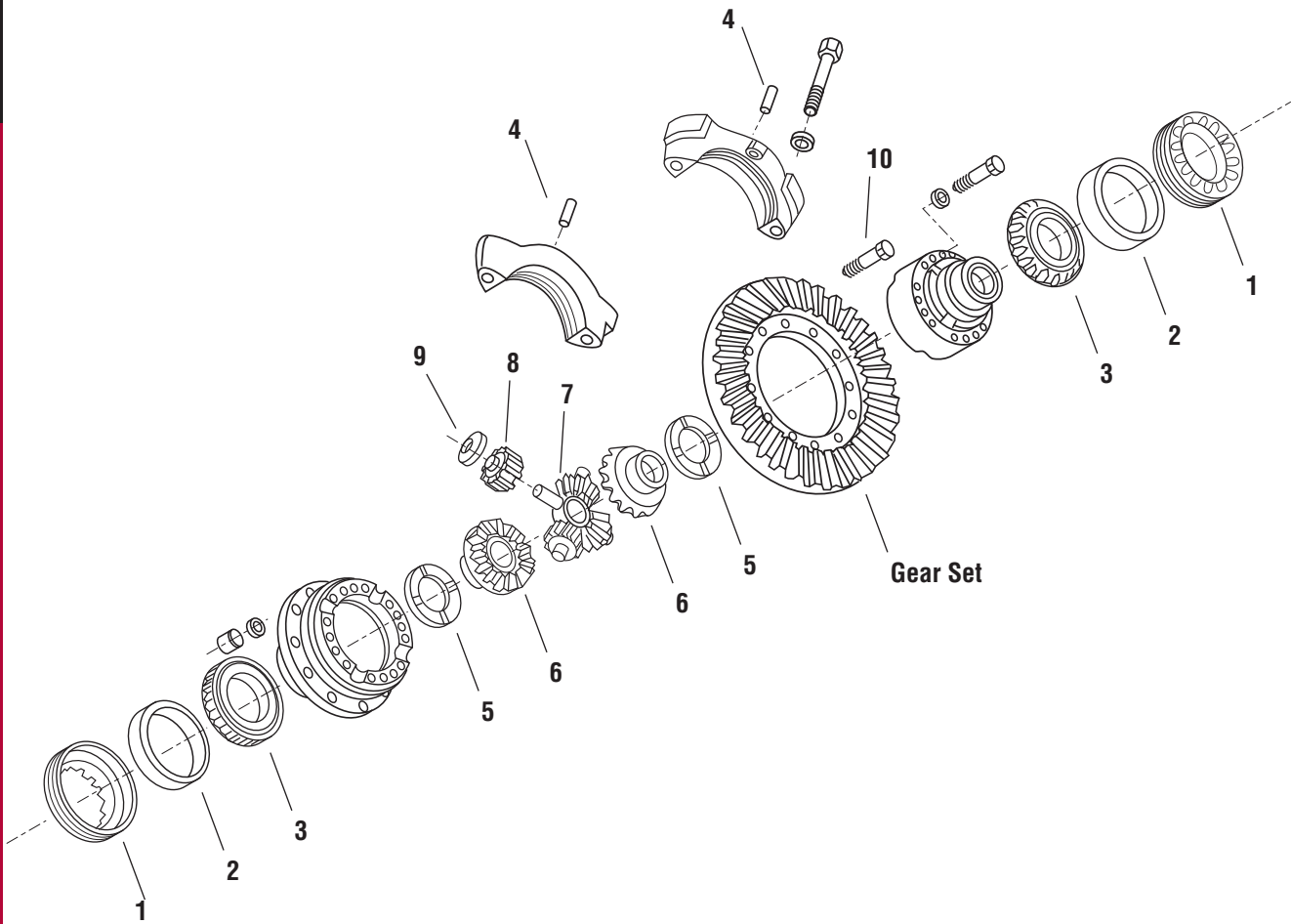
1, 12	A-3297-U-1347	<b>M10-A3297U1347</b>	Input Shaft and Nut Assembly
2	1229-C-1511	<b>M10-1229C1511</b>	Washer - Input Bearing Cage
3	Oil Seal		
	• R945008	<b>M10-R945008</b>	Input Bearing Cage - 3" (all carriers prior to 11/93)
	• R945007	<b>M10-R945007</b>	Input Bearing Cage - 3.25" (all carriers after 11/93)



**Input Shaft and Inter-Axle Differential (continued)**

4, 7	A-3226-V-1296	<b>M10-A3226V1296</b>	Bearing Cage and Cup Assembly - Input
5	Shim		
	• 2203-K-9241	<b>M10-2203K9241</b>	0.003 - Input Bearing Cage
	• 2203-L-9242	<b>M10-2203L9242</b>	0.005 - Input Bearing Cage
	• 2203-M-9243	<b>M10-2203M9243</b>	0.010 - Input Bearing Cage
6	5-X-1343	<b>M10-5X1343</b>	O-Ring - Input Bearing Cage
7	3920	<b>3920MAF</b>	Bearing Cup - Input Shaft - Outer
8	JM511945	<b>JM511945MAF</b>	Bearing Cone - Input Shaft - Outer
9	3221-P-1004	<b>M10-3221P1004</b>	Oil Baffle
10	1229-E-1669	<b>M10-1229E1669</b>	Washer - Oil Baffle
11	MS-208016-1	<b>M10-MS2080161</b>	Capscrew - Oil Baffle
13	1229-S-4985	<b>M10-1229S4985</b>	Thrust Washer Helical Drive Gear
14	3892-N-5942	<b>M10-3892N5942</b>	Helical Drive Gear
13, 14	KIT 4007	<b>M10-KIT4007</b>	Helical Drive Gear with Thrust Washer
15	Assembly		
	• A-3235-W-2025	<b>M10-A3235W2025</b>	Case Assembly - IAD (welded)
	• A-3235-P-2746	<b>M10-A3235P2746</b>	Inter-Axle Nest Assembly
16	2297-E-5335	<b>M10-2297E5335</b>	Snap Ring - IAD
17	3107-M-1183	<b>M10-3107M1183</b>	Clutch Collar - IAD
18	2234-R-1188	<b>M10-2234R1188</b>	Side Gear - IAD - Rear
19	3296-Z-1326	<b>M10-3296Z1326</b>	Shift Fork - IAD
20	JLM710949C	<b>JLM710949CMAF</b>	Bearing Cone - Rear Side Gear
21	JLM710910	<b>JLM710910MAF</b>	Bearing Cup - Rear Side Gear
22	41-X-1208	<b>M10-41X1208</b>	Adjusting Screw - Shift Shaft
23	MN-312-1	<b>M10-MN3121</b>	Jam Nut - Adjusting Screw
24	A-3261-L-350	<b>M10-A3261L350</b>	Shift Assembly - IAD Air (bolt on style)
	KIT 2825	<b>M10-KIT2825</b>	Shift Assembly - IAD Air (screw in style)
25	41-X-1209	<b>M10-41X1209</b>	Capscrew - Shift Assembly
26	H715334	<b>H715334MAF</b>	Bearing Cone - Drive Pinion - Inner
27	H715311	<b>H715311MAF</b>	Bearing Cup - Drive Pinion - Inner
28	1244-V-1764	<b>M10-1244V1764</b>	Spacer - Pinion Bearing - Inner
29	3892-N-4902	<b>M10-3892N4902</b>	Helical Driven Gear
30	72487	<b>72487MAF</b>	Bearing Cup - Drive Pinion - Outer
31	72212C	<b>72212CMAF</b>	Bearing Cone - Drive Pinion - Outer
32	Washer		
	• 1229-G-4063	<b>M10-1229G4063</b>	Drive Pinion Nut (use with M10-40X1145)
	• 1229-W-4521	<b>M10-1229W4521</b>	Drive Pinion Nut (use with M10-40X1233)
33	Nut		
	• Kit 2638	<b>M10-KIT2638</b>	Drive Pinion
	• 40-X-1145	<b>M10-40X1145</b>	Drive Pinion (M50 x 2 - 6H Thd.)
	• 40-X-1233	<b>M10-40X1233</b>	Drive Pinion (M45 x 1.5 - 6H Thd.)
34	3266-C-1095	<b>M10-3266C1095</b>	Cover - Drive Pinion

# MAIN DIFFERENTIAL



## Bearing Kits

- M10-DRK-4395 — Pre 11/93 build
- M10-DRK-4396 — After 11/93 build

See Kits section for complete BOM.

## ITEM

## INDUSTRY PART NO.

## MERITOR PART NO.

## DESCRIPTION

**Main Differential**

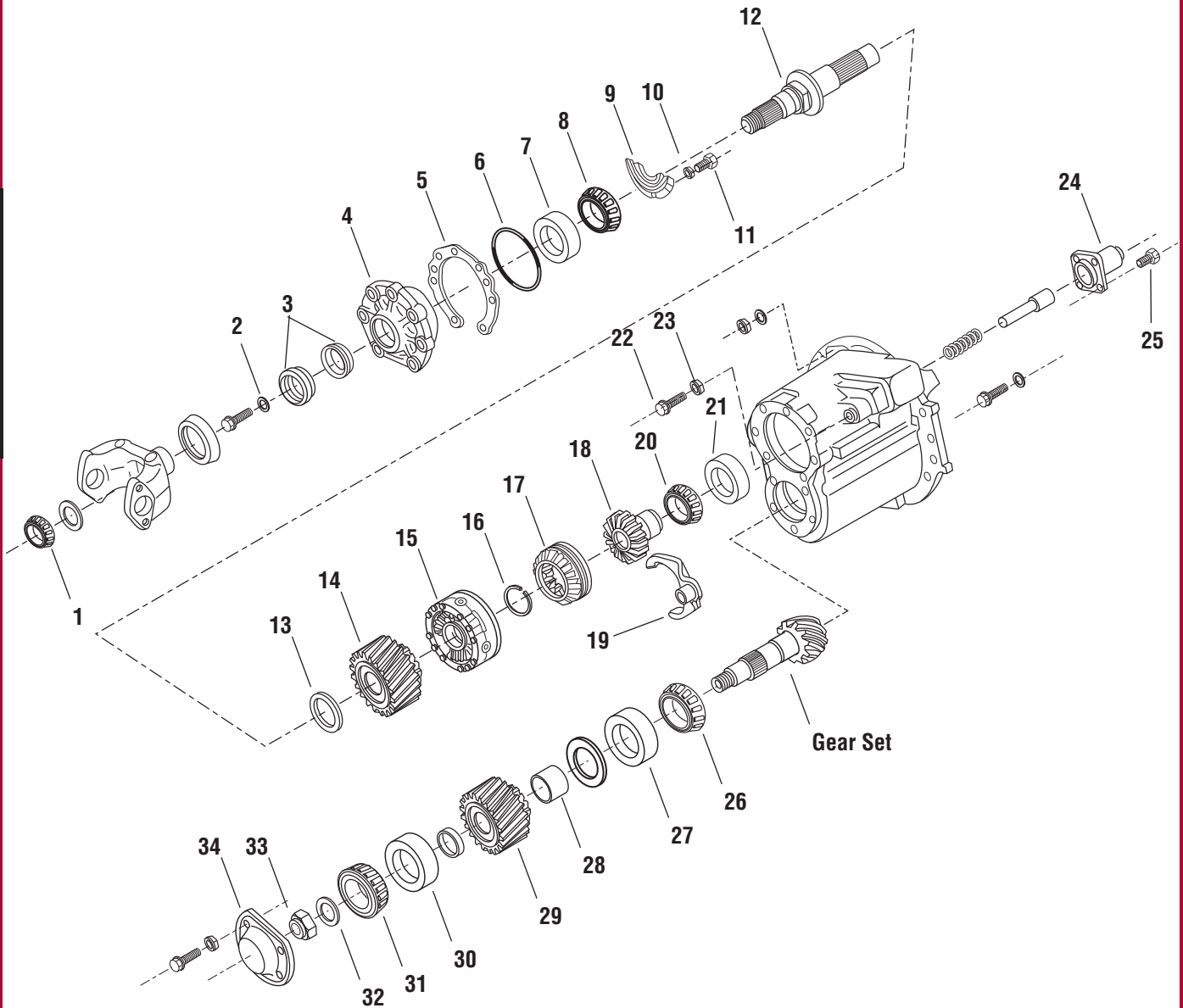
1	2214-C-1039	<b>M10-2214C1039</b>	Adjusting Ring - Differential
2	JM716610	<b>JM716610MAF</b>	Bearing Cup - Differential - Plain/Flange Half
3	JM716649	<b>JM716649MAF</b>	Bearing Cone - Differential - Plain/Flange Half
4	1199-R-2176	<b>M10-1199R2176</b>	Pin - Adjusting Ring
5	Thrust Washer		
	• 1229-V-4624	<b>M10-1229V4624</b>	Side Gear (all carriers after 11/93)
	• 1229-X-4522	<b>M10-1229X4522</b>	Side Gear (all carriers before 11/93)
6	KIT 2759	<b>M10-KIT2759</b>	Side Gear - Differential
7	3278-S-305	<b>M10-3278S305</b>	Spider - Differential
8	2233-J-1024	<b>M10-2233J1024</b>	Pinion Gear - Differential
9	1229-R-1032	<b>M10-1229R1032</b>	Thrust Washer - Differential
10	KIT 2317	<b>M10-KIT2317</b>	Bolt - Ring Gear to Diff Plain Half

**Gear Sets**

B-41718-1	<b>M10-B417181</b>	Ratio 2.64
A-41676-1	<b>M10-A416761</b>	Ratio 2.79
A-41104-1	<b>M10-A411041</b>	Ratio 2.93
A-41510-1	<b>M10-A415101</b>	Ratio 3.21
B-42214-1	<b>M10-B422141</b>	Ratio 3.36
B-41276-1	<b>M10-B412761</b>	Ratio 3.42
B-42216-1	<b>M10-B422161</b>	Ratio 3.55
B-41512-1	<b>M10-B415121</b>	Ratio 3.58
B-41514-1	<b>M10-B415141</b>	Ratio 3.73
B-41678-1	<b>M10-B416781</b>	Ratio 3.90
B-41680-1	<b>M10-B416801</b>	Ratio 4.11
B-41278-1	<b>M10-B412781</b>	Ratio 4.33
B-41562-1	<b>M10-B415621</b>	Ratio 4.56
B-41280-1	<b>M10-B412801</b>	Ratio 4.63
B-41282-1	<b>M10-B412821</b>	Ratio 4.88
B-41284-1	<b>M10-B412841</b>	Ratio 5.29
B-41466-1	<b>M10-B414661</b>	Ratio 5.86
A-41468-1	<b>M10-A414681</b>	Ratio 6.14
A-41470-1	<b>M10-A414701</b>	Ratio 6.43
A-41472-1	<b>M10-A414721</b>	Ratio 6.83
A-41474-1	<b>M10-A414741</b>	Ratio 7.17

# INPUT SHAFT AND INTER-AXLE DIFFERENTIAL

RDL20145



## Bearing Kits

- M10-DRK-4406 — After 11/93 build
- See Kits section for complete BOM.

## Input Shaft and Inter-Axle Differential

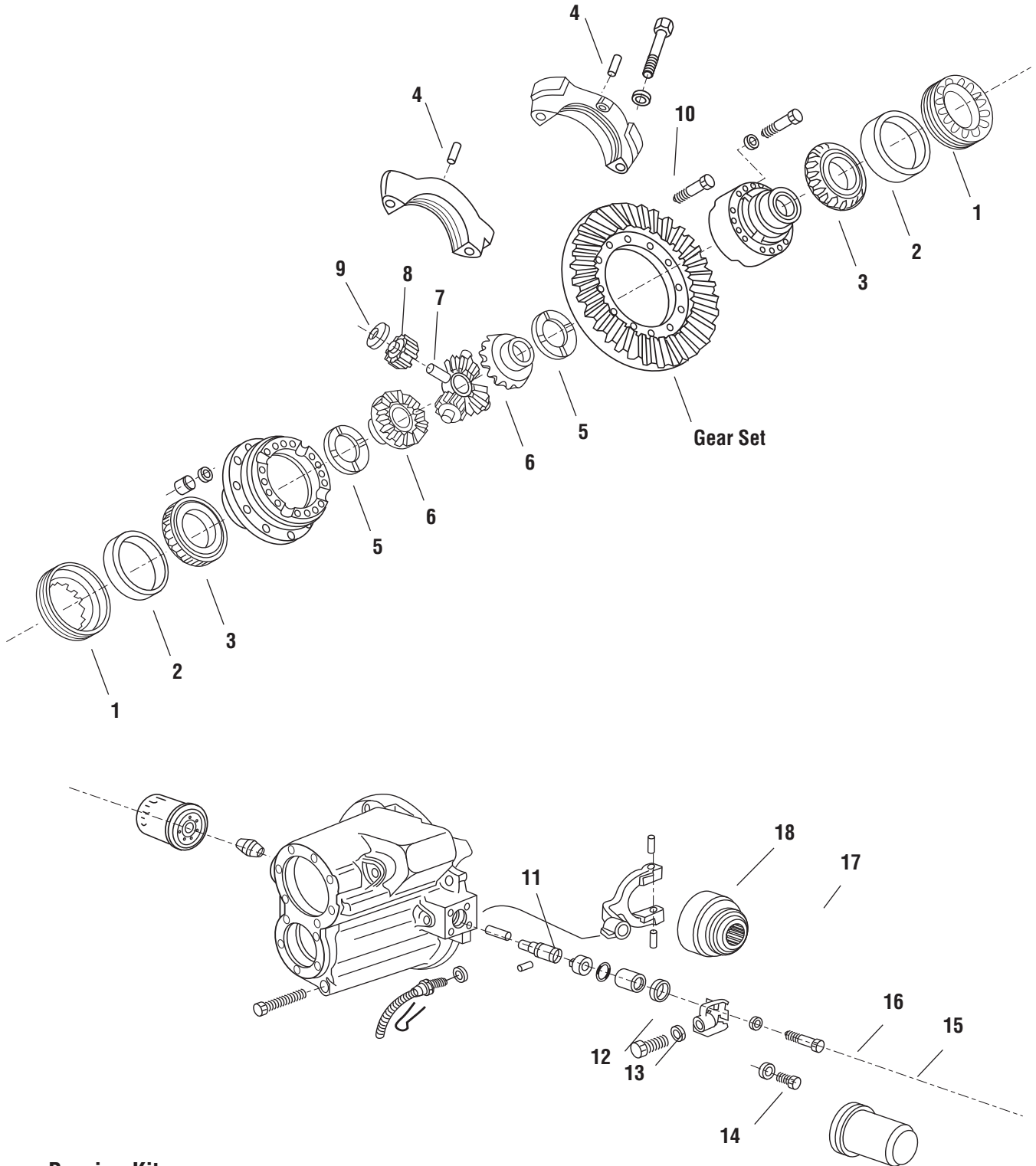
1, 12	A-3297-U-1347	<b>M10-A3297U1347</b>	Input Shaft and Nut Assembly
2	1229-C-1511	<b>M10-1229C1511</b>	Washer - Input Bearing Cage
3	Oil Seal		
	• R945008	<b>M10-R945008</b>	Input Bearing Cage - 3" (all carriers prior to 11/93)
	• R945007	<b>M10-R945007</b>	Input Bearing Cage - 3.25" (all carriers after 11/93)
4, 7	A-3226-V-1296	<b>M10-A3226V1296</b>	Bearing Cage and Cup Assembly - Input



ITEM	INDUSTRY PART NO.	MERITOR PART NO.	DESCRIPTION
5	Shim		
	• 2203-K-9241	<b>M10-2203K9241</b>	0.003 - Input Bearing Cage
	• 2203-L-9242	<b>M10-2203L9242</b>	0.005 - Input Bearing Cage
	• 2203-M-9243	<b>M10-2203M9243</b>	0.010 - Input Bearing Cage
6	5-X-1343	<b>M10-5X1343</b>	O-Ring - Input Bearing Cage
7	3920	<b>3920MAF</b>	Bearing Cup - Input Shaft - Outer
8	JM511945	<b>JM511945MAF</b>	Bearing Cone - Input Shaft - Outer
9	3221-P-1004	<b>M10-3221P1004</b>	Oil Baffle
10	1229-E-1669	<b>M10-1229E1669</b>	Washer - Oil Baffle
11	MS-208016-1	<b>M10-MS2080161</b>	Capscrew - Oil Baffle
13	1229-S-4985	<b>M10-1229S4985</b>	Helical Drive Gear Thrust Washer
14	3892-N-5942	<b>M10-3892N5942</b>	Helical Drive Gear
14	KIT 4007	<b>M10-KIT4007</b>	Helical Drive Gear with Thrust Washer
15	Assembly		
	• A-3235-W-2025	<b>M10-A3235W2025</b>	Case Assembly - IAD (welded)
	• A-3235-P-2746	<b>M10-A3235P2746</b>	Inter-Axle Nest Assembly
16	2297-E-5335	<b>M10-2297E5335</b>	Snap Ring - IAD
17	3107-M-1183	<b>M10-3107M1183</b>	Clutch Collar - IAD
18	2234-R-1188	<b>M10-2234R1188</b>	Side Gear - IAD - Rear
19	3296-Z-1326	<b>M10-3296Z1326</b>	Shift Fork - IAD
20	JLM710949C	<b>JLM710949CMAF</b>	Bearing Cone - Rear Side Gear
21	JLM710910	<b>JLM710910MAF</b>	Bearing Cup - Rear Side Gear
22	41-X-1208	<b>M10-41X1208</b>	Adjusting Screw - Shift Shaft
23	MN-312-1	<b>M10-MN3121</b>	Jam Nut - Adjusting Screw
24	A-3261-L-350	<b>M10-A3261L350</b>	Shift Assembly - IAD Air (bolt on style)
	KIT 2825	<b>M10-KIT2825</b>	Shift Assembly - IAD Air (screw on style)
25	41-X-1209	<b>M10-41X1209</b>	Capscrew - Shift Assembly
26	H715334	<b>H715334MAF</b>	Bearing Cone - Drive Pinion - Inner
27	H715311	<b>H715311MAF</b>	Bearing Cup - Drive Pinion - Inner
28	1244-V-1764	<b>M10-1244V1764</b>	Spacer - Pinion Bearing - Inner
29	3892-N-4902	<b>M10-3892N4902</b>	Helical Driven Gear
30	72487	<b>72487MAF</b>	Bearing Cup - Drive Pinion - Outer
31	72212C	<b>72212CMAF</b>	Bearing Cone - Drive Pinion - Outer
32	Washer		
	• 1229-G-4063	<b>M10-1229G4063</b>	Drive Pinion Nut (use with M10-40X1145)
	• 1229-W-4521	<b>M10-1229W4521</b>	Drive Pinion Nut (use with M10-40x1233)
33	KIT 2638	<b>M10-KIT2638</b>	Nut - Drive Pinion
33	Nut		
	• 40-X-1145	<b>M10-40X1145</b>	Drive Pinion (M50 x 2 - 6H Thd.)
	• 40-X-1233	<b>M10-40X1233</b>	Drive Pinion (M45 x 1.5 - 6H Thd.)
34	3266-C-1095	<b>M10-3266C1095</b>	Cover - Drive Pinion

# MAIN DIFFERENTIAL

RDL20145



## Bearing Kits

- M10-DRK-4406 — After 11/93 build
- See Kits section for complete BOM.

### Main Differential

1	2214-C-1095	<b>M10-2214C1095</b>	Adjusting Ring - Differential
2	JM716610	<b>JM716610MAF</b>	Bearing Cup - Differential - Plain/Flange Half
3	JM716649	<b>JM716649MAF</b>	Bearing Cone - Differential - Plain/Flange Half
4	1199-R-2176	<b>M10-1199R2176</b>	Pin - Adjusting Ring
5	Thrust Washer		
	• 1229-V-4624	<b>M10-1229V4624</b>	Side Gear (all carriers after 11/93)
	• 1229-X-4522	<b>M10-1229X4522</b>	Side Gear (all carriers before 11/93)
6	KIT 2759	<b>M10-KIT2759</b>	Side Gear - Differential
7	3278-S-305	<b>M10-3278S305</b>	Spider - Differential
8	2233-J-1024	<b>M10-2233J1024</b>	Pinion Gear - Differential
9	1229-R-1032	<b>M10-1229R1032</b>	Thrust Washer - Differential
10	KIT 2317	<b>M10-KIT2317</b>	Bolt - Ring Gear to Diff Plain Half

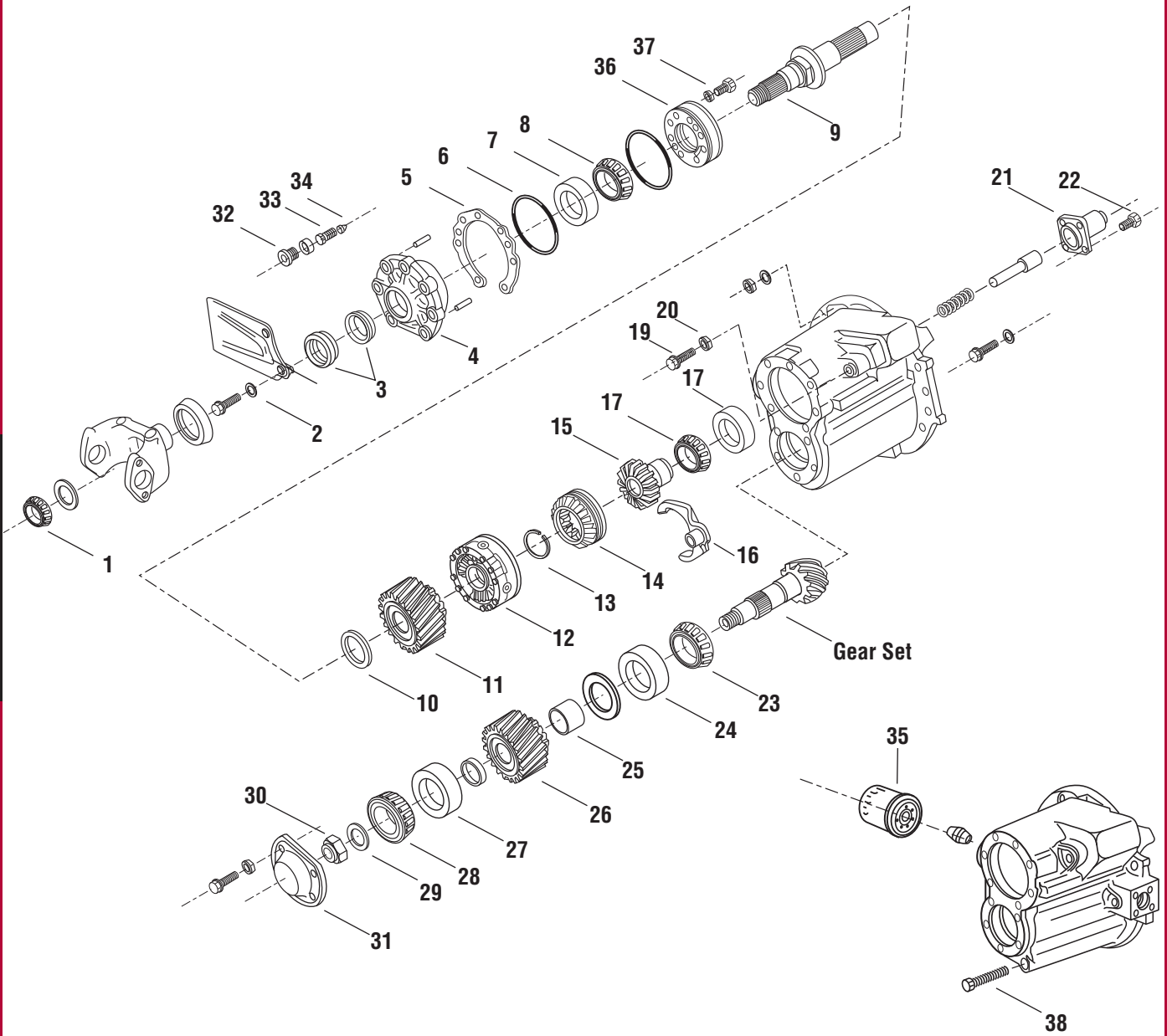
### Differential Lock

11	2258-N-1262	<b>M10-2258N1262</b>	Spring
12	5-X-1198	<b>M10-5X1198</b>	Piston
13	3261-A-1067	<b>M10-3261A1067</b>	Tube - Air Cylinder
14	3266-F-1020	<b>M10-3266F1020</b>	Cover - Air Cylinder
15	41-X-1364	<b>M10-41X1364</b>	Cap Screw - Air Cylinder Cover
16	MWA-506	<b>M10-MWA506</b>	Washer
17	3107-D-1018	<b>M10-3107D1018</b>	Clutch Collar
18	3296-Z-1170	<b>M10-3296Z1170</b>	Shift Fork

### Gear Sets

B-41718-1	<b>M10-B417181</b>	Ratio 2.64
A-41676-1	<b>M10-A416761</b>	Ratio 2.79
A-41104-1	<b>M10-A411041</b>	Ratio 2.93
A-41510-1	<b>M10-A415101</b>	Ratio 3.21
B-42214-1	<b>M10-B422141</b>	Ratio 3.36
B-41276-1	<b>M10-B412761</b>	Ratio 3.42
B-42216-1	<b>M10-B422161</b>	Ratio 3.55
B-41512-1	<b>M10-B415121</b>	Ratio 3.58
B-41514-1	<b>M10-B415141</b>	Ratio 3.73
B-41678-1	<b>M10-B416781</b>	Ratio 3.90
B-41680-1	<b>M10-B416801</b>	Ratio 4.11
B-41278-1	<b>M10-B412781</b>	Ratio 4.33
B-41562-1	<b>M10-B415621</b>	Ratio 4.56
B-41280-1	<b>M10-B412801</b>	Ratio 4.63
B-41282-1	<b>M10-B412821</b>	Ratio 4.88
B-41284-1	<b>M10-B412841</b>	Ratio 5.29
B-41466-1	<b>M10-B414661</b>	Ratio 5.86
A-41468-1	<b>M10-A414681</b>	Ratio 6.14
A-41470-1	<b>M10-A414701</b>	Ratio 6.43
A-41472-1	<b>M10-A414721</b>	Ratio 6.83
A-41474-1	<b>M10-A414741</b>	Ratio 7.17

# INPUT SHAFT AND INTER-AXLE DIFFERENTIAL



## Bearing Kits

- M10-DRK-4395 — Pre 11/93 build
- M10-DRK-4396 — After 11/93 build

See Kits section for complete BOM.

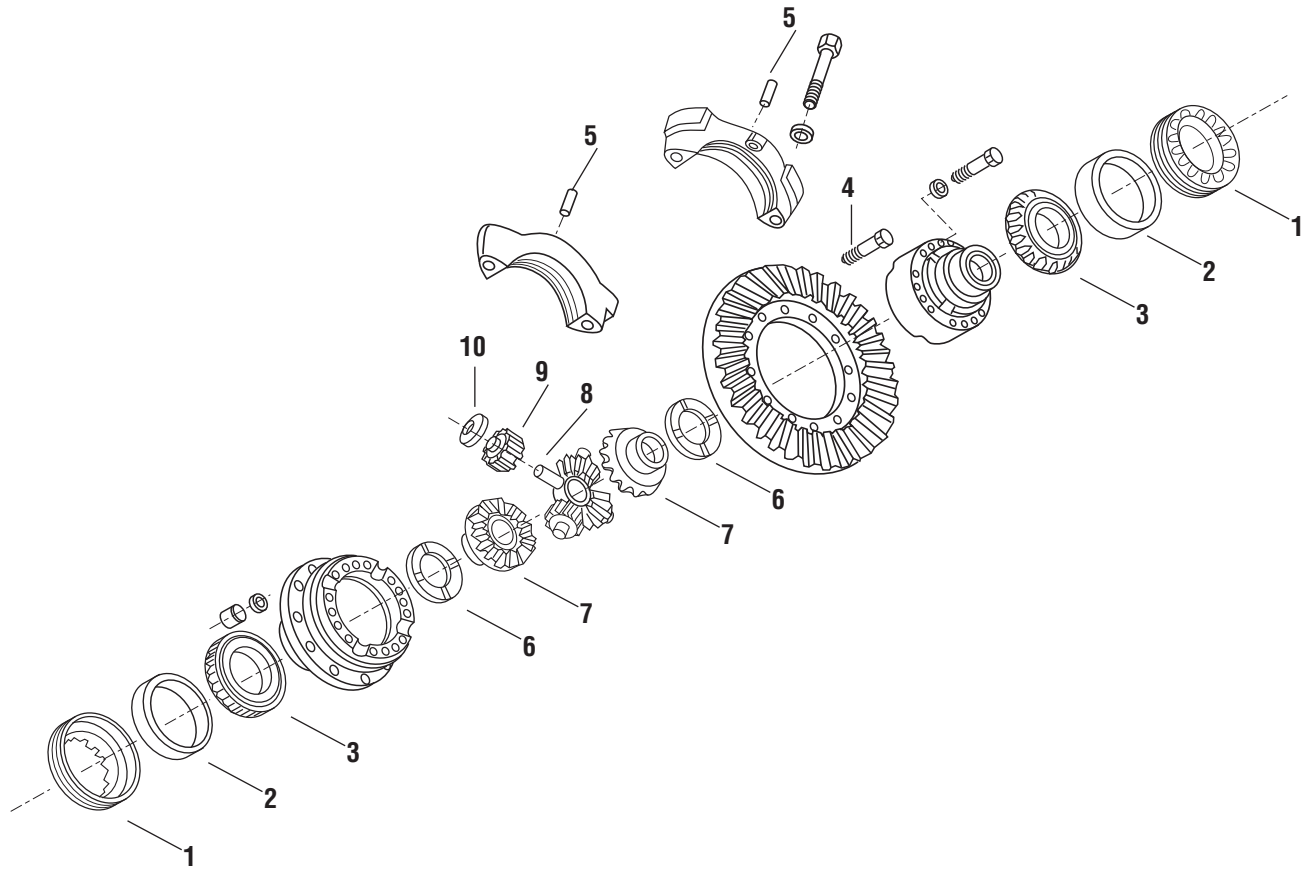
RP20145



**Input Shaft and Inter-Axle Differential**

1, 9	A-3297-T-1346	<b>M10-A3297T1346</b>	Input Shaft and Nut Assembly
2	1229-C-1511	<b>M10-1229C1511</b>	Washer - Input Bearing Cage
3	A-1205-X-2728	<b>M10-A1205X2728</b>	Oil Seal - Input Bearing Cage
4, 7	A-3226-D-1226	<b>M10-A3226D1226</b>	Bearing Cage and Cup Assembly - Input
5	2203-K-9241	<b>M10-2203K9241</b>	Shim 0.003 - Input Bearing Cage
5	2203-L-9242	<b>M10-2203L9242</b>	Shim 0.005 - Input Bearing Cage
5	2203-M-9243	<b>M10-2203M9243</b>	Shim 0.010 - Input Bearing Cage
6	5-X-1034	<b>M10-5X1034</b>	O-Ring - Input Bearing Cage
7	3920	<b>3920MAF</b>	Bearing Cup - Input Shaft - Outer
8	JM511945	<b>JM511945MAF</b>	Bearing Cone - Input Shaft - Outer
10	1229-S-4985	<b>M10-1229S4985</b>	Thrust Washer - Helical Drive Gear
11	3892-N-5942	<b>M10-3892N5942</b>	Helical Drive Gear
11	KIT 4007	<b>M10-KIT4007</b>	Helical Drive Gear with Thrust Washer
12	A-3235-W-2025	<b>M10-A3235W2025</b>	Case Assembly - IAD (welded)
12	A-3235-P-2746	<b>M10-A3235P2746</b>	Inter-Axle Nest Assembly
13	2297-E-5335	<b>M10-2297E5335</b>	Snap Ring - IAD
14	3107-M-1183	<b>M10-3107M1183</b>	Clutch Collar - IAD
15	2234-R-1188	<b>M10-2234R1188</b>	Side Gear - IAD - Rear
16	3296-Z-1326	<b>M10-3296Z1326</b>	Shift Fork - IAD
17	JLM710949	<b>JLM710949MAF</b>	Bearing Cone - Rear Side Gear
18	JLM710910	<b>JLM710910MAF</b>	Bearing Cup - Rear Side Gear
19	41-X-1208	<b>M10-41X1208</b>	Adjusting Screw - Shift Shaft
20	MN-312-1	<b>M10-MN3121</b>	Jam Nut - Adjusting Screw
21	A-3261-L-350	<b>M10-A3261L350</b>	Shift Assembly - IAD Air (bolt on style)
21	KIT 2825	<b>M10-KIT2825</b>	Snap Ring - Shift Assembly (screw on style)
22	41-X-1209	<b>M10-41X1209</b>	Capscrew - Shift Assembly
23	H715334	<b>H715334MAF</b>	Bearing Cone - Drive Pinion - Inner
24	H715311	<b>H715311MAF</b>	Bearing Cup - Drive Pinion - Inner
25	1244-V-1764	<b>M10-1244V1764</b>	Spacer - Pinion Bearing - Inner
26	3892-N-4902	<b>M10-3892N4902</b>	Helical Driven Gear
27	72487	<b>72487MAF</b>	Bearing Cup - Drive Pinion - Outer
28	72212C	<b>72212CMAF</b>	Bearing Cone - Drive Pinion - Outer
29	1229-G-4063	<b>M10-1229G4063</b>	Washer - Drive Pinion Nut (use with 40-X-1145)
29	1229-W-4521	<b>M10-1229W4521</b>	Washer - Drive Pinion Nut (use with 40-X-1233)
29, 30	KIT 2638	<b>M10-KIT2638</b>	Nut - Drive Pinion
30	40-X-1145	<b>M10-40X1145</b>	Nut - Drive Pinion (M50 X 2 - 6H THD)
30	40-X-1233	<b>M10-40X1233</b>	Nut - Drive Pinion (M45 X 1.5 - 6H THD)
31	3266-C-1095	<b>M10-3266C1095</b>	Cover - Drive Pinion
32	1250-N-1080	<b>M10-1250N1080</b>	Plug - Oil Pressure Relief Valve
33	2258-Z-1118	<b>M10-2258Z1118</b>	Spring - Oil Pressure Relief Valve
34	2297-U-5397	<b>M10-2297U5397</b>	Pressure Relief Valve - Oil
35	3280-V-8394	<b>M10-3280V8394</b>	Oil Filter
36	A-3303-P-1030	<b>M10-A3303P1030</b>	Oil Pump Assembly
37	MS-208045-1	<b>M10-2080451</b>	Cap Screw - Oil Pump
38	A-2297-D-5334	<b>M10-A2297D5334</b>	Screen and Plumb Assembly

# MAIN DIFFERENTIAL



## Gearing Kits

- M10-DRK-4395 — Pre 11/93 build
- M10-DRK-4396 — After 11/93 build

See Kits section for complete BOM.

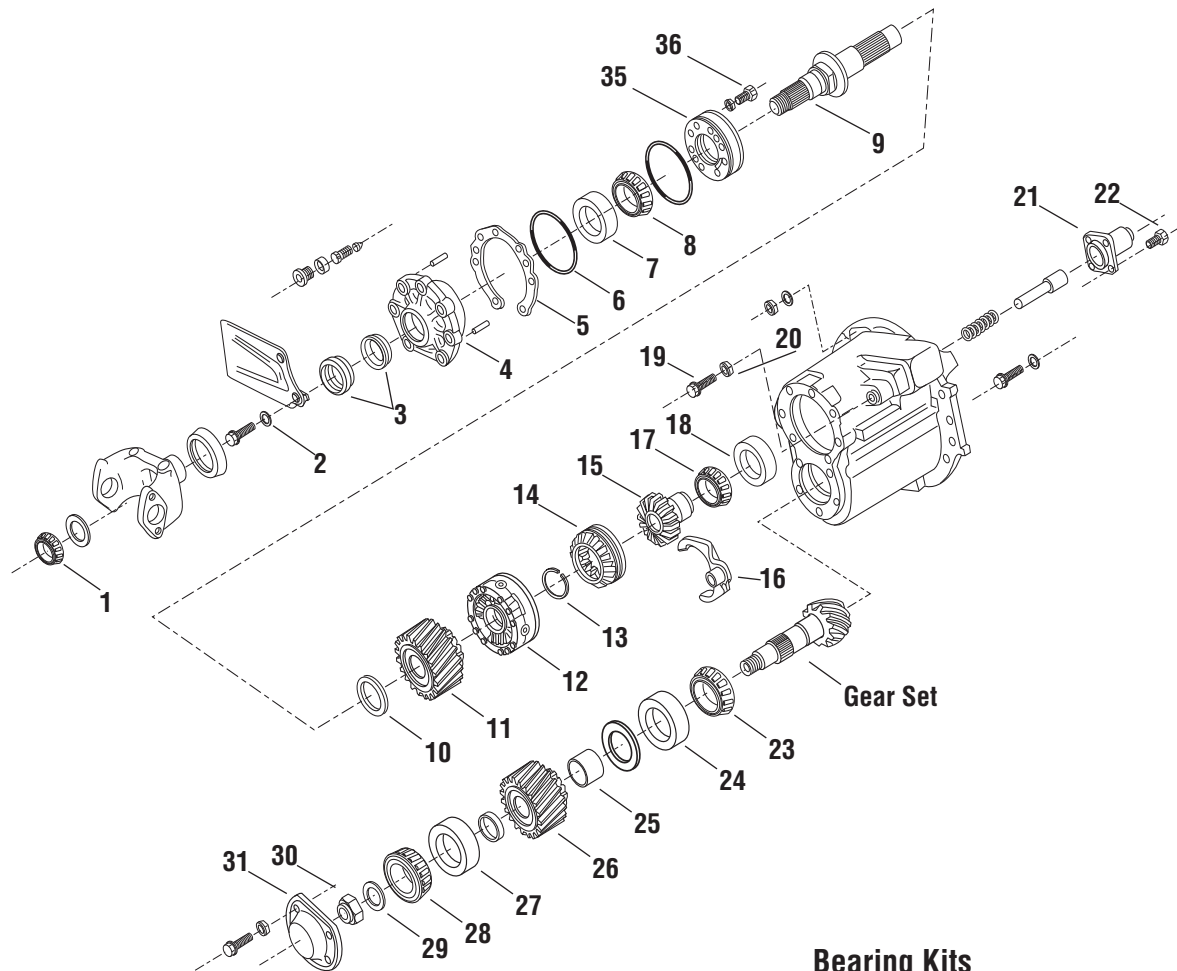
### Main Differential

1	2214-C-1095	<b>M10-2214C1095</b>	Adjusting Ring - Differential
2	JM716610	<b>JM716610MAF</b>	Bearing Cup - Differential - Plain/Flange Half
3	JM716649	<b>JM716649MAF</b>	Bearing Cone - Differential - Plain/Flange Half
4	KIT 2317	<b>M10-KIT2317</b>	Bolt - Ring Gear to Diff Plain Half
5	1199-R-2176	<b>M10-1199R2176</b>	Pin - Adjusting Ring
6	1229-V-4624	<b>M10-1229V4624</b>	Thrust Washer - Side Gear (all carriers after 11/93)
6	1229-X-4522	<b>M10-1229X4522</b>	Thrust Washer - Side Gear (all carriers before 11/93)
7	KIT 2759	<b>M10-KIT2759</b>	Side Gear - Differential
8	3278-S-305	<b>M10-3278S305</b>	Spider - Differential
9	2233-J-1024	<b>M10-2233J1024</b>	Pinion Gear - Differential
10	1229-R-1032	<b>M10-1229R1032</b>	Thrust Washer - Differential

### Gear Sets

B-41718-1	<b>M10-B417181</b>	Ratio 2.64
A-41676-1	<b>M10-A416761</b>	Ratio 2.79
A-41104-1	<b>M10-A411041</b>	Ratio 2.93
A-41510-1	<b>M10-A415101</b>	Ratio 3.21
B-42214-1	<b>M10-B422141</b>	Ratio 3.36
B-41276-1	<b>M10-B412761</b>	Ratio 3.42
B-42216-1	<b>M10-B422161</b>	Ratio 3.55
B-41512-1	<b>M10-B415121</b>	Ratio 3.58
B-41514-1	<b>M10-B415141</b>	Ratio 3.73
B-41678-1	<b>M10-B416781</b>	Ratio 3.90
B-41680-1	<b>M10-B416801</b>	Ratio 4.11
B-41278-1	<b>M10-B412781</b>	Ratio 4.33
B-41562-1	<b>M10-B415621</b>	Ratio 4.56
B-41280-1	<b>M10-B412801</b>	Ratio 4.63
B-41282-1	<b>M10-B412821</b>	Ratio 4.88
B-41284-1	<b>M10-B412841</b>	Ratio 5.29
B-41466-1	<b>M10-B414661</b>	Ratio 5.86
A-41468-1	<b>M10-A414681</b>	Ratio 6.14
A-41470-1	<b>M10-A414701</b>	Ratio 6.43
A-41472-1	<b>M10-A414721</b>	Ratio 6.83
A-41474-1	<b>M10-A414741</b>	Ratio 7.17

# INPUT SHAFT AND INTER-AXLE DIFFERENTIAL



## Bearing Kits

- M10-DRK-4406 — After 11/93 build
- See Kits section for complete BOM.

## Input Shaft and Inter-Axle Differential

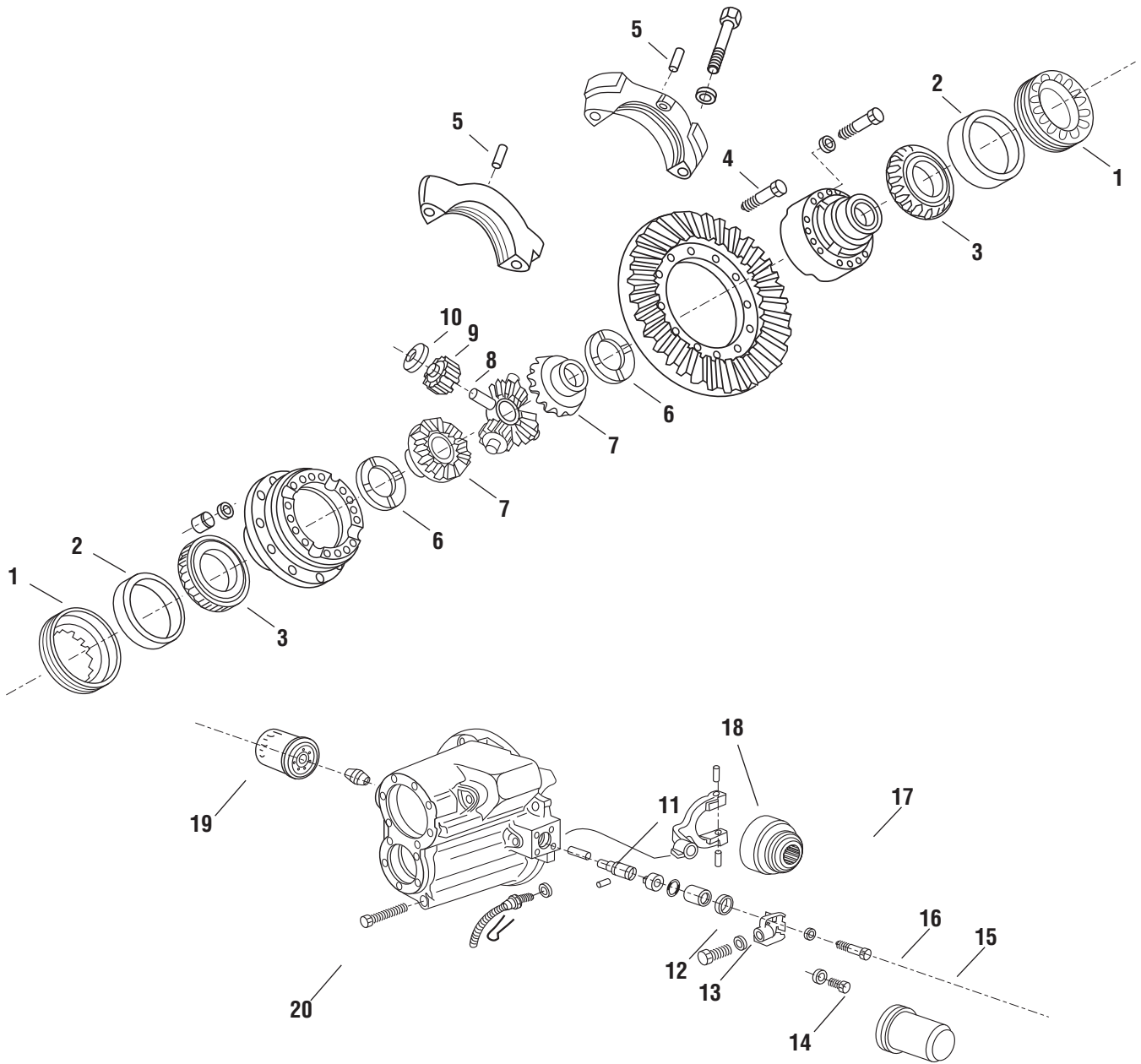
1, 9	A-3297-T-1346	<b>M10-A3297T1346</b>	Input Shaft and Nut Assembly
2	1229-C-1511	<b>M10-1229C1511</b>	Washer - Input Bearing Cage
3	A-1205-X-2728	<b>M10-A1205X2728</b>	Oil Seal - Input Bearing Cage
4, 7	A-3226-D-1226	<b>M10-A3226D1226</b>	Bearing Cage and Cup Assembly - Input



**Input Shaft and Inter-Axle Differential (continued)**

5	Shim		
	• 2203-K-9241	<b>M10-2203K9241</b>	0.003 - Input Bearing Cage
	• 2203-L-9242	<b>M10-2203L9242</b>	0.005 - Input Bearing Cage
	• 2203-M-9243	<b>M10-2203M9243</b>	0.010 - Input Bearing Cage
6	5-X-1034	<b>M10-5X1034</b>	O-Ring - Input Bearing Cage
7	3920	<b>3920MAF</b>	Bearing Cup - Input Shaft - Outer
8	JM511945	<b>JM511945MAF</b>	Bearing Cone - Input Shaft - Outer
10	1229-S-4985	<b>M10-1229S4985</b>	Thrust Washer - Helical Drive Gear
10	A-1199-U-4025	<b>M10-A1199U4025</b>	Thrust Washer - Helical Drive Gear
11	3892-R-4932	<b>M10-3892R4932</b>	Helical Drive Gear
11	3892-S-5843	<b>M10-3892S5843</b>	Helical Drive Gear
11	KIT 4007	<b>M10-KIT4007</b>	Helical Drive Gear with Thrust Washer
12	A-3235-W-2025	<b>M10-A3235W2025</b>	Case Assembly - IAD
12	A-3235-P-2746	<b>M10-A3235P2746</b>	Inter-Axle Nest Assembly
13	2297-E-5335	<b>M10-2297E5335</b>	Snap Ring - IAD
14	3107-M-1183	<b>M10-3107M1183</b>	Clutch Collar - IAD
15	• 2234-R-1188	<b>M10-2234R1188</b>	Side Gear - IAD - Rear
16	• 3296-Z-1326	<b>M10-3296Z1326</b>	Shift Fork - IAD
17	JLM710949	<b>JLM710949MAF</b>	Bearing Cone - Rear Side Gear
18	JLM710910	<b>JLM710910MAF</b>	Bearing Cup - Rear Side Gear
19	41-X-1208	<b>M10-41X1208</b>	Adjusting Screw - Shift Shaft
20	MN-312-1	<b>M10-MN3121</b>	Jam Nut - Adjusting Screw
21	A-3261-L-350	<b>M10-A3261L350</b>	Shift Assembly - IAD Air (bolt on style)
21	KIT 2825	<b>M10-KIT2825</b>	Shift Assembly (screw on style)
22	41-X-1209	<b>M10-41X1209</b>	Capscrew - Shift Assembly
23	H715334	<b>H715334MAF</b>	Bearing Cone - Drive Pinion - Inner
24	H715311	<b>H715311MAF</b>	Bearing Cup - Drive Pinion - Inner
25	1244-V-1764	<b>M10-1244V1764</b>	Spacer - Pinion Bearing - Inner
26	3892-N-4902	<b>M10-3892N4902</b>	Helical Driven Gear
27	72487	<b>72487MAF</b>	Bearing Cup - Drive Pinion - Outer
28	72212C	<b>72212CMAF</b>	Bearing Cone - Drive Pinion - Outer
29	Washer		
	• 1229-G-4063	<b>M10-1229G4063</b>	Drive Pinion Nut
	• 1229-W-4521	<b>M10-1229W4521</b>	Drive Pinion Nut
30	Nut		
	• KIT 2638	<b>M10-KIT2638</b>	Drive Pinion
	• 40-X-1145	<b>M10-40X1145</b>	Drive Pinion (M50 x 2 - 6H Thd.)
	• 40-X-1233	<b>M10-40X1233</b>	Drive Pinion (M45 x 1.5 - 6H Thd.)
31	3266-C-1095	<b>M10-3266C1095</b>	Cover - Drive Pinion
32	1250-N-1080	<b>M10-1250N1080</b>	Plug - Oil Pressure Relief Valve
33	2258-Z-1118	<b>M10-2258Z1118</b>	Spring - Oil Pressure Relief Valve
34	2297-U-5397	<b>M10-2297U5397</b>	Pressure Relief Valve - Oil
35	A-3303-P-1030	<b>M10-A3303P1030</b>	Oil Pump Assembly
36	MS-208045-1	<b>M10-MS2080451</b>	Capscrew - Oil Pump

# MAIN DIFFERENTIAL



## Gearing Kits

- M10-DRK-4406 — After 11/93 build  
See Kits section for complete BOM.

## Main Differential

1	2214-Y-1039	<b>M10-2214Y1039</b>	Adjusting Ring - Differential
2	JP10010	<b>JP10010MAF</b>	Bearing Cup - Differential - Plain/Flange Half
3	JP10049	<b>JP10049MAF</b>	Bearing Cone - Differential - Plain/Flange Half
4	KIT 2317	<b>M10-KIT2317</b>	Bolt - Ring Gear to Diff Plain Half
5	1199-R-2176	<b>M10-1199R2176</b>	Pin - Adjusting Ring

### Main Differential (continued)

5	1246-P-1134	<b>M10-1246P1134</b>	Pin - Adjusting Ring
6	1229-V-4624	<b>M10-1229V4624</b>	Thrust Washer - Side Gear (all carriers after 11/93)
6	1229-X-4522	<b>M10-1229X4522</b>	Thrust Washer - Side Gear (all carriers before 11/93)
7	KIT 2759	<b>M10-KIT2759</b>	Side Gear - Differential
8	3278-S-305	<b>M10-3278S305</b>	Spider - Differential
9	2233-J-1024	<b>M10-2233J1024</b>	Pinion Gear - Differential
10	1229-R-1032	<b>M10-1229R1032</b>	Thrust Washer - Differential

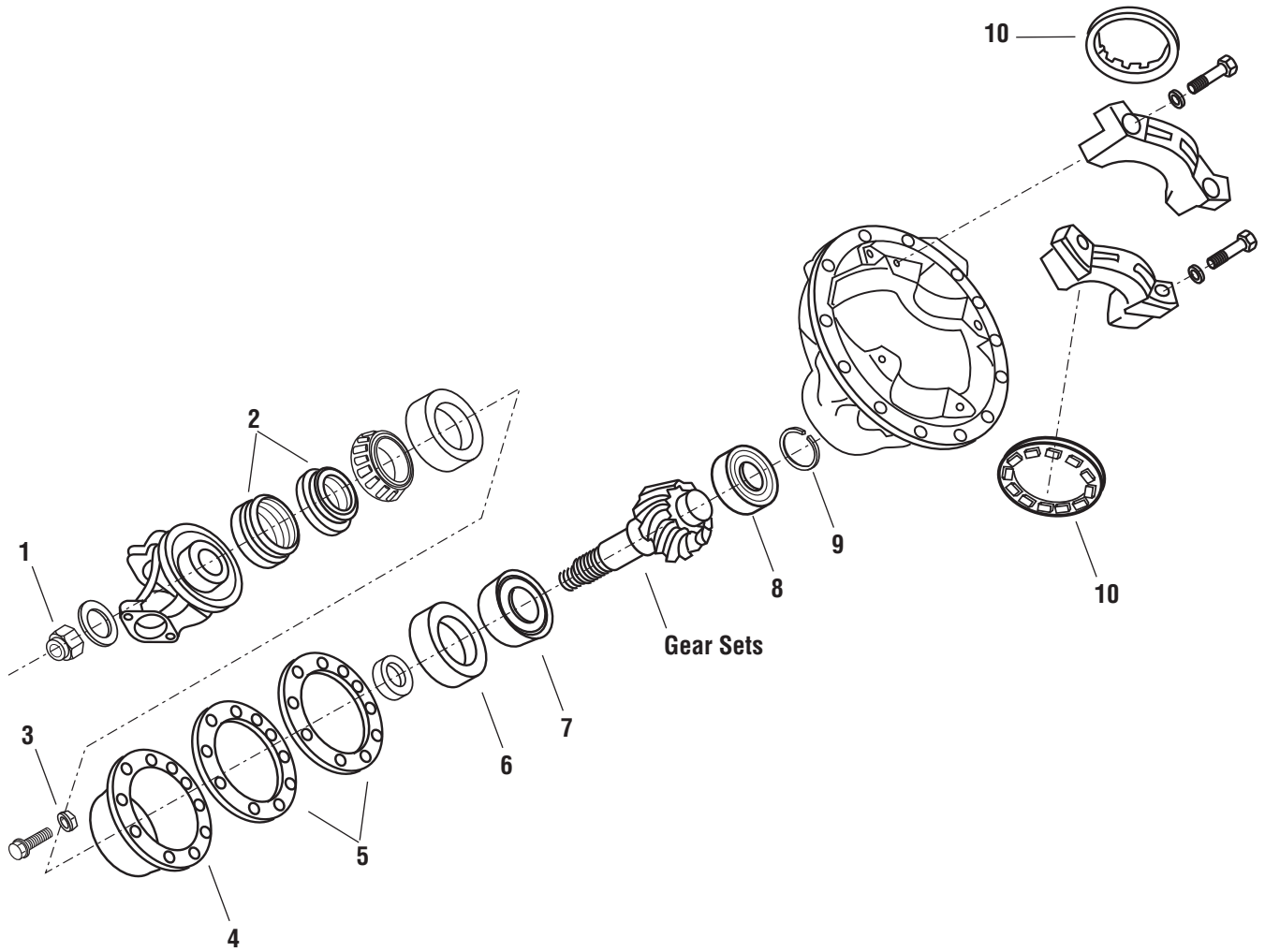
### Oil Pump and Differential Lock

11	2258-N-1262	<b>M10-2258N1262</b>	Spring - Differential Lock
12	5-X-1198	<b>M10-5X1198</b>	Piston - Differential Lock
13	3261-A-1067	<b>M10-3261A1067</b>	Tube - Air Cylinder
14	3266-F-1020	<b>M10-3266F1020</b>	Cover - Air Cylinder
15	41-X-1364	<b>M10-41X1364</b>	Capscrew - Air Cylinder Cover
16	MWA-506	<b>M10-MWA506</b>	Washer - Air Cylinder Cover
17	3107-D-1018	<b>M10-3107D1018</b>	Clutch Collar - Differential Lock
18	3296-Z-1170	<b>M10-3296Z1170</b>	Shift Fork - Differential Lock
19	3280-V-8394	<b>M10-3280V8394</b>	Oil Filter
20	A-2297-D-5334	<b>M10-A2297D5334</b>	Screen and Plumb Assembly

### Gear Sets

B-41718-1	<b>M10-B417181</b>	Ratio 2.64
A-41676-1	<b>M10-A416761</b>	Ratio 2.79
A-41104-1	<b>M10-A411041</b>	Ratio 2.93
A-41510-1	<b>M10-A415101</b>	Ratio 3.21
B-42214-1	<b>M10-B422141</b>	Ratio 3.36
B-41276-1	<b>M10-B412761</b>	Ratio 3.42
B-42216-1	<b>M10-B422161</b>	Ratio 3.55
B-41512-1	<b>M10-B415121</b>	Ratio 3.58
B-41514-1	<b>M10-B415141</b>	Ratio 3.73
B-41678-1	<b>M10-B416781</b>	Ratio 3.90
B-41680-1	<b>M10-B416801</b>	Ratio 4.11
B-41278-1	<b>M10-B412781</b>	Ratio 4.33
B-41562-1	<b>M10-B415621</b>	Ratio 4.56
B-41280-1	<b>M10-B412801</b>	Ratio 4.63
B-41282-1	<b>M10-B412821</b>	Ratio 4.88
B-41284-1	<b>M10-B412841</b>	Ratio 5.29
B-41466-1	<b>M10-B414661</b>	Ratio 5.86
A-41468-1	<b>M10-A414681</b>	Ratio 6.14
A-41470-1	<b>M10-A414701</b>	Ratio 6.43
A-41472-1	<b>M10-A414721</b>	Ratio 6.83
A-41474-1	<b>M10-A414741</b>	Ratio 7.17

# INPUT ASSEMBLY



## Bearing Kits

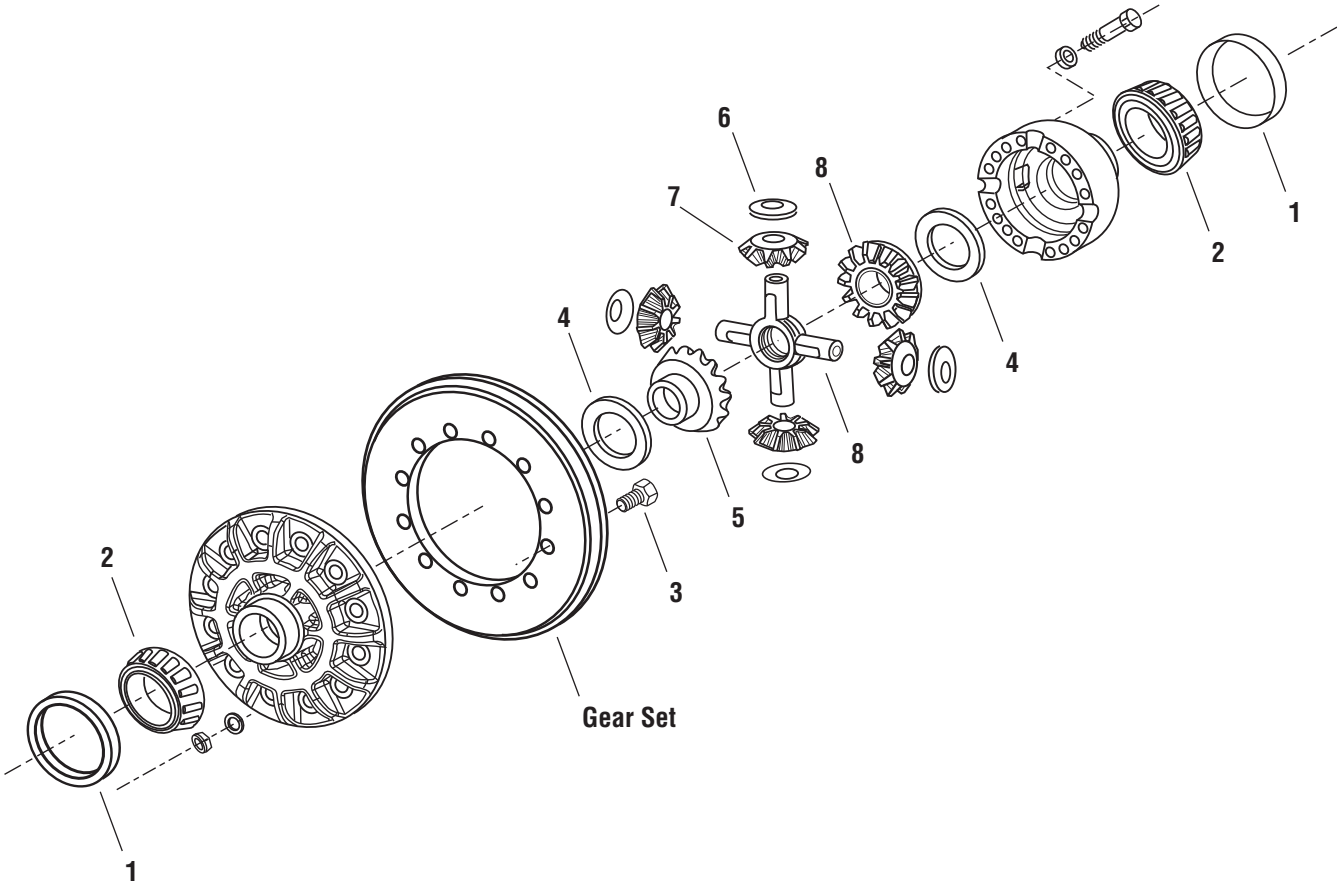
- M10-DRK-224 — 3200R1500
- M10-DRK-217R — all except 3200R1500

See Kits section for complete BOM.



ITEM	INDUSTRY PART NO.	MERITOR PART NO.	DESCRIPTION
<b>Input Assembly</b>			
1	KIT 2637	<b>M10-KIT2637</b>	Nut and Washer - Drive Pinion
2	A1-1205-Z-2730	<b>M10-A11205Z2730</b>	Oil Seal - Input Bearing Cage
3	1229-C-1511	<b>M10-1229C1511</b>	Washer - Input Bearing Cage
4	A-3226-M-1053	<b>M10-A3226M1053</b>	Pinion Bearing Cage and Cup Assembly
5	Shim Kit		
	• KIT 1568	<b>M10-KIT1568</b>	Pinion Cage
	• KIT 2313	<b>M10-KIT2313</b>	Pinion Cage
6	Bearing Cup		
	• 72487	<b>72487MAF</b>	Drive Pinion - Outer
	• 55437	<b>55437MAF</b>	Drive Pinion - Outer
7	Bearing Cone		
	• 72212C	<b>72212CMAF</b>	Drive Pinion - Outer
	• 55206C	<b>55206CMAF</b>	Drive Pinion - Outer
8	RU1570UM	<b>RU1570UMMAF</b>	Bearing - Drive Pinion Spigot
9	1229-A-1301	<b>M10-1229A1301</b>	Snap Ring - Drive Pinion Spigot Bearing
10	Adjusting Ring Lock		
	• 1199-R-2176	<b>M10-1199R2176</b>	Adjusting Ring - Left Hand Only
	• 1246-P-1134	<b>M10-1246P1134</b>	Adjusting Ring - Left and Right Hand

# MAIN DIFFERENTIAL



### Bearing Kits

- M10-DRK-224 — 3200R1500
- M10-DRK-217R — all except 3200R1500

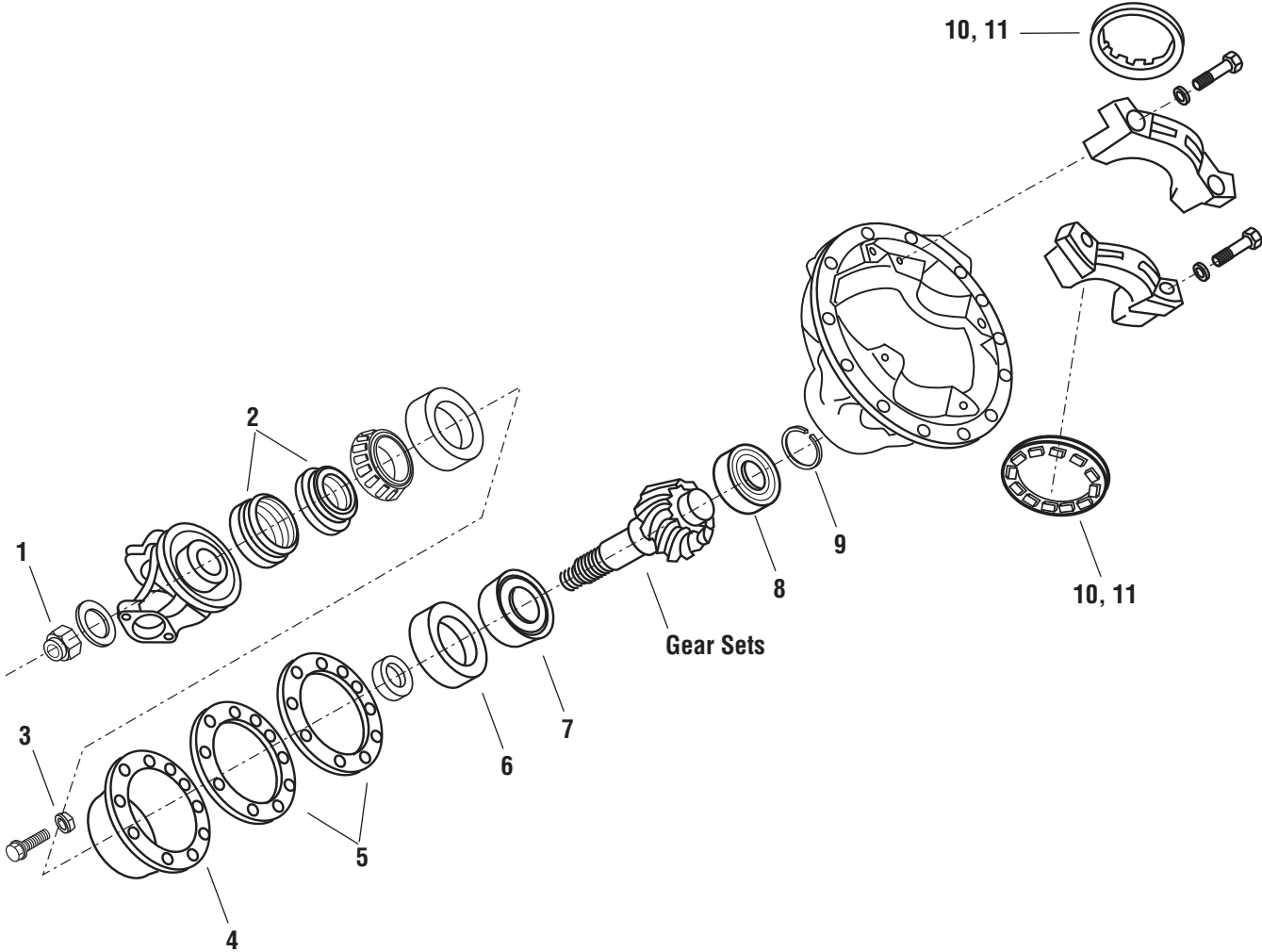
See Kits section for complete BOM.

ITEM	INDUSTRY PART NO.	MERITOR PART NO.	DESCRIPTION
<b>Main Differential</b>			
1	JM716610	<b>JM716610MAF</b>	Bearing Cup - Differential - Plain/Flange Half
2	JM716649	<b>JM716649MAF</b>	Bearing Cone - Differential - Plain/Flange Half
1, 2	32020X	<b>32020XMAF</b>	Bearing Cup & Cone - Differential - Plain/Flange/Half
3	KIT 2317	<b>M10-KIT2317</b>	Bolt - Ring Gear to Diff Plain Half
4	Side Gear Thrust Washer		
	• 1229-V-4624	<b>M10-1229V4624</b>	All carriers after 11/93 except 1.85" - 36 spline
	• 1229-X-4522	<b>M10-1229X4522</b>	All carriers before 11/93 except 1.85" - 36 spline
5	1229-R-1032	<b>M10-1229R1032</b>	Thrust Washer - Differential
6	2233-J-1024	<b>M10-2233J1024</b>	Pinion Gear - Differential
7	3278-S-305	<b>M10-3278S305</b>	Spider - Differential
8	KIT 2759	<b>M10-KIT2759</b>	Side Gear - Differential

### Gear Sets

B-41716-1	<b>M10-B417161</b>	Ratio 2.64
B-41164-1	<b>M10-B411641</b>	Ratio 3.42
B-41532-1	<b>M10-B415321</b>	Ratio 3.58
B-41498-1	<b>M10-B414981</b>	Ratio 3.58
B-41534-1	<b>M10-B415341</b>	Ratio 3.73
B-41684-1	<b>M10-B416841</b>	Ratio 3.9
B-41686-1	<b>M10-B416861</b>	Ratio 4.11
B-41540-1	<b>M10-B415401</b>	Ratio 4.33
B-41542-1	<b>M10-B415421</b>	Ratio 4.56
B-41268-1	<b>M10-B412681</b>	Ratio 4.63
B-41544-1	<b>M10-B415441</b>	Ratio 4.88
A-41272-1	<b>M10-A412721</b>	Ratio 5.13
B-41548-1	<b>M10-B415481</b>	Ratio 5.29 (use only on carrier 3200-Q-1785)
B-41274-1	<b>M10-B412741</b>	Ratio 5.29 (all carriers except 3200-Q-1785)
A-41304-1	<b>M10-A413041</b>	Ratio 5.57
B-41456-1	<b>M10-B414561</b>	Ratio 5.86 (all carriers except 3200-Q-1785)
B-41552-1	<b>M10-B415521</b>	Ratio 5.86 (use only on carrier 3200-Q-1785)
A-41458-1	<b>M10-A414581</b>	Ratio 6.14
A-41460-1	<b>M10-A414601</b>	Ratio 6.43
A-41462-1	<b>M10-A414621</b>	Ratio 6.83
B-43426-1	<b>M10-B434261</b>	Ratio 7.17

# INPUT ASSEMBLY



### Bearing Kits

- M10-DRK-4390

See Kits section for complete BOM.



## ITEM

## INDUSTRY PART NO.

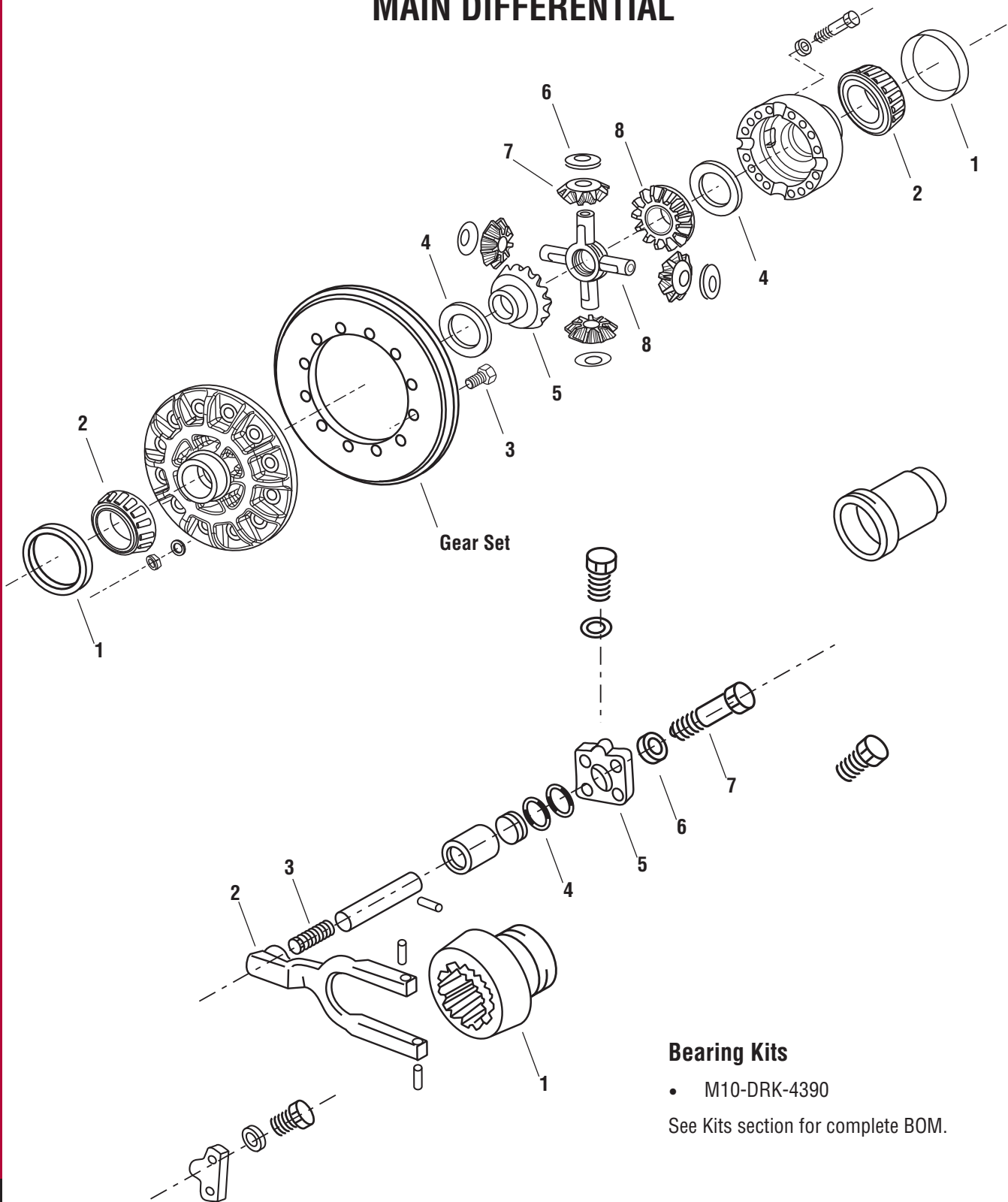
## MERITOR PART NO.

## DESCRIPTION

**Input Assembly**

1	KIT 2637	<b>M10-KIT2637</b>	Nut and Washer - Drive Pinion
2	A1-1205-Z-2730	<b>M10-A11205Z2730</b>	Oil Seal - Input Bearing Cage
3	1229-C-1511	<b>M10-1229C1511</b>	Washer - Input Bearing Cage
4	A-3226-M-1053	<b>M10-A3226M1053</b>	Pinion Bearing Cage and Cup Assembly
5	Shim Kit		
	• KIT 1568	<b>M10-KIT1568</b>	Pinion Cage
	• KIT 2313	<b>M10-KIT2313</b>	Pinion Cage
6	Bearing Cup		
	• 72487	<b>72487MAF</b>	Drive Pinion - Outer
	• 55437	<b>55437MAF</b>	Drive Pinion - Outer
7	Bearing Cone		
	• 72212C	<b>72212CMAF</b>	Drive Pinion - Outer (not for use with RS17140)
	• 55206C	<b>55206CMAF</b>	Drive Pinion - Outer (use with RS17140 only)
8	RU1570UM	<b>RU1570UMMAF</b>	Bearing - Drive Pinion Spigot
9	1229-A-1301	<b>M10-1229A1301</b>	Snap Ring - Drive Pinion Spigot Bearing
10	Adjusting Ring Lock		
	• 1199-R-2176	<b>M10-1199R2176</b>	Left Hand Only
	• 1246-P-1134	<b>M10-1246P1134</b>	Left and Right Hand
11	Adjusting Ring		
	• 2214-C-1045	<b>M10-2214C1045</b>	Left Hand - Small
	• 2214-Y-1039	<b>M10-2214Y1039</b>	Right Hand - Small

# MAIN DIFFERENTIAL



## Bearing Kits

- M10-DRK-4390

See Kits section for complete BOM.

## Main Differential

1	JM716610	<b>JM716610MAF</b>	Bearing Cup - Differential - Plain/Flange Half
2	JM716649	<b>JM716649MAF</b>	Bearing Cone - Differential - Plain/Flange Half
1, 2	32020X	<b>32020XMAF</b>	Bearing Cup & Cone - Differential - Plain/Flange/Half
3	KIT 2317	<b>M10-KIT2317</b>	Bolt - Ring Gear to Diff Plain Half

## ITEM

## INDUSTRY PART NO.

## MERITOR PART NO.

## DESCRIPTION

**Main Differential (continued)**

4	Side Gear Thrust Washer		
	• 1229-V-4624	<b>M10-1229V4624</b>	All carriers after 11/93 except 1.85" - 36 spline
	• 1229-X-4522	<b>M10-1229X4522</b>	All carriers before 11/93 except 1.85" - 36 spline
5	KIT 2759	<b>M10-KIT2759</b>	Side Gear - Differential
	72212C	<b>72212CMAF</b>	Drive Pinion - Outer (not for use with RS17140)
	55206C	<b>55206CMAF</b>	Drive Pinion - Outer (use with RS17140 only)
6	1229-R-1032	<b>M10-1229R1032</b>	Thrust Washer - Differential
7	2233-J-1024	<b>M10-2233J1024</b>	Pinion Gear - Differential
8	3278-S-305	<b>M10-3278S305</b>	Spider - Differential

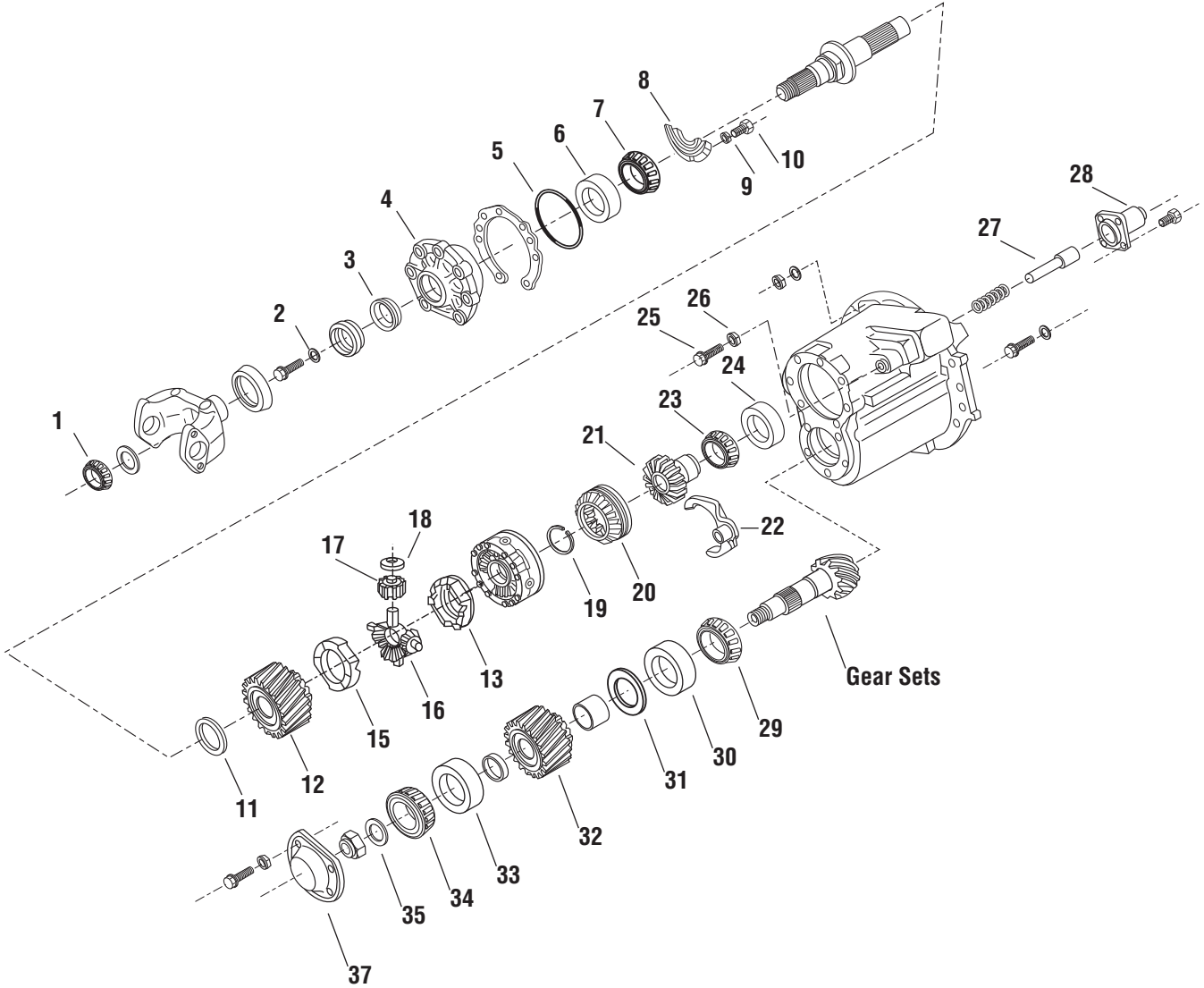
**Differential Lock**

1	3107-D-1018	<b>M10-3107D1018</b>	Clutch Collar - Differential Lock
2	3296-Z-1170	<b>M10-3296Z1170</b>	Shift Fork - Differential Lock
3	2258-N-1262	<b>M10-2258N1262</b>	Spring - Differential Lock
5	5-X-1198	<b>M10-5X1198</b>	Piston - Differential Lock
5	Air Cylinder		
	• 3266-F-1020	<b>M10-3266F1020</b>	Cover
	• 3261-A-1067	<b>M10-3261A1067</b>	Tube
6	41-X-1364	<b>M10-41X1364</b>	Capscrew - Air Cylinder Cover
7	MWA-506	<b>M10-MWA506</b>	Washer - Air Cylinder Cover

**Gear Sets**

B-41716-1	<b>M10-B417161</b>	Ratio 2.64
B-41164-1	<b>M10-B411641</b>	Ratio 3.42
B-41532-1	<b>M10-B415321</b>	Ratio 3.58
B-41498-1	<b>M10-B414981</b>	Ratio 3.58
B-41534-1	<b>M10-B415341</b>	Ratio 3.73
B-41684-1	<b>M10-B416841</b>	Ratio 3.90
B-41686-1	<b>M10-B416861</b>	Ratio 4.11
B-41540-1	<b>M10-B415401</b>	Ratio 4.33
B-41542-1	<b>M10-B415421</b>	Ratio 4.56
B-41268-1	<b>M10-B412681</b>	Ratio 4.63
B-41544-1	<b>M10-B415441</b>	Ratio 4.88
A-41272-1	<b>M10-A412721</b>	Ratio 5.13
B-41548-1	<b>M10-B415481</b>	Ratio 5.29
B-41274-1	<b>M10-B412741</b>	Ratio 5.29
A-41304-1	<b>M10-A413041</b>	Ratio 5.57
B-41456-1	<b>M10-B414561</b>	Ratio 5.86 (all carriers except 3200-Q-1785)
B-41552-1	<b>M10-B415521</b>	Ratio 5.86 (use on carrier 3200-Q-1785 only)
A-41458-1	<b>M10-A414581</b>	Ratio 6.14
A-41460-1	<b>M10-A414601</b>	Ratio 6.43
A-41462-1	<b>M10-A414621</b>	Ratio 6.83
B-43426-1	<b>M10-B434261</b>	Ratio 7.17

# INPUT AND INTER-AXLE DIFFERENTIAL ASSEMBLY



**Kits**

- M10-DRK-4422

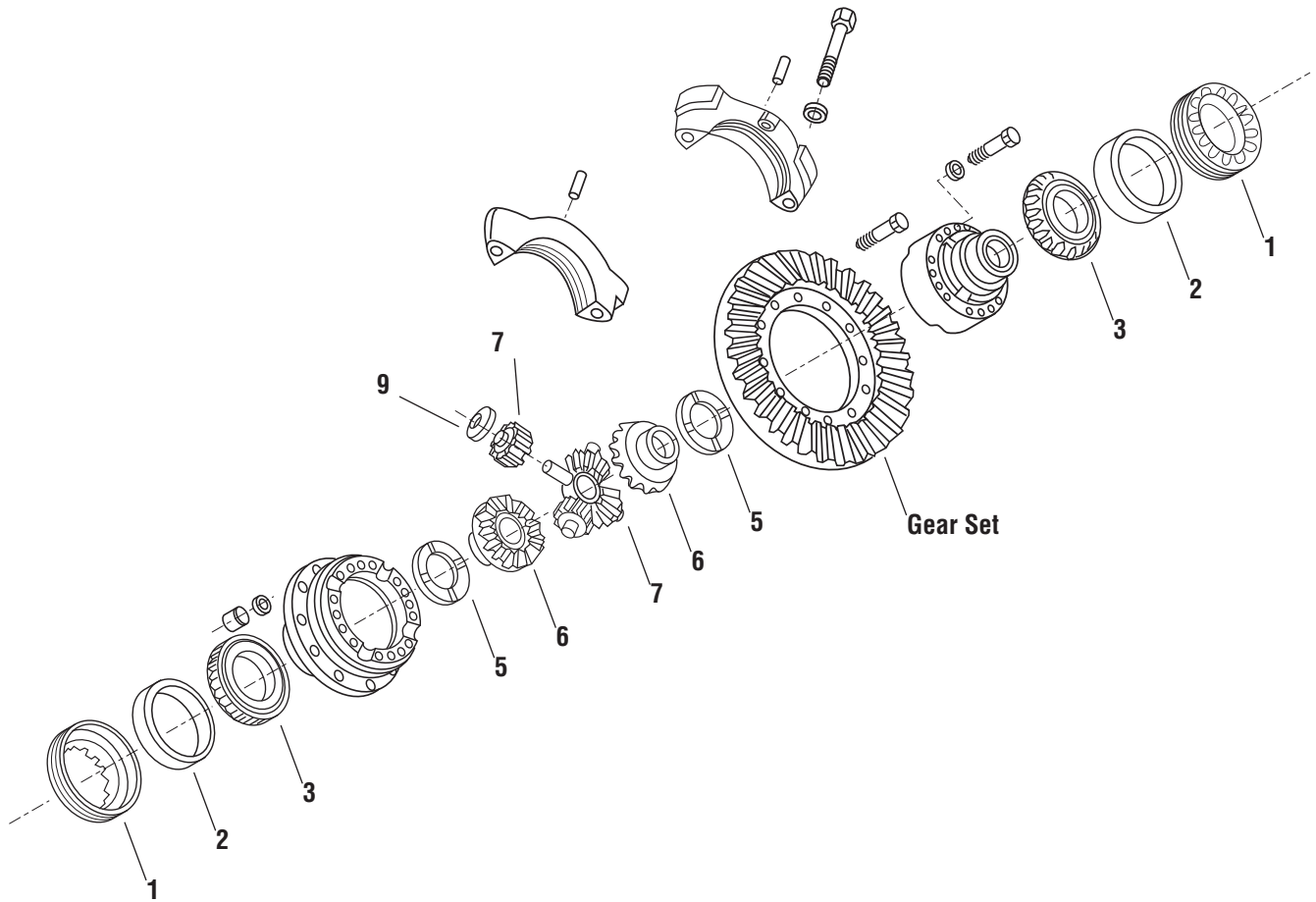
See Kits section for complete BOM.



## Input and Inter-Axle Differential Assembly

1	KIT 2638	<b>M10-KIT2638</b>	Nut - Drive Pinion
2	MWA-512	<b>M10-MWA512</b>	Washer - Input Nut
3	R945007	<b>M10-R945007</b>	Oil Seal - Input Bearing Cage - 3"
4, 6	A-3226-H-1126	<b>M10-A3226H1126</b>	Bearing Cage and Cup Assembly - Input
5	5-X-1343	<b>M10-5X1343</b>	O-Ring - Input Bearing Cage
6	HM813810	<b>HM813810MAF</b>	Bearing Cup - Input Shaft - Outer
7	HM813843	<b>HM813843MAF</b>	Bearing Cone - Input Shaft - Outer
8	3221-P-1004	<b>M10-3221P1004</b>	Oil Baffle
9	1229-E-1669	<b>M10-1229E1669</b>	Washer - Oil Baffle
10	MS-208016-1	<b>M10-MS2080161</b>	Capscrew - Oil Baffle
11	1229-S-4985	<b>M10-1229S4985</b>	Thrust Washer - Helical Drive Gear
12	3892-T-4934	<b>M10-3892T4934</b>	Helical Drive Gear
13, 14, 15, 16, 17, 18, 17	A3-3235-A-2393	<b>M10-A33235A2393</b>	Case Assembly - IAD
16	3278-N-300	<b>M10-3278N300</b>	Spider - IAD
17	2233-K-245	<b>M10-2233K245</b>	Pinion Gear - IAD
18	1229-Q-2929	<b>M10-1229Q2929</b>	Thrust Washer - IAD
19	2297-S-5349	<b>M10-2297S5349</b>	Snap Ring - IAD
20	Clutch Collar		
	• 3107-P-1212	<b>M10-3107P1212</b>	IAD (use on carriers after 10/00)
	• A1-3235-A-2393	<b>M10-A13235A2393</b>	IAD (use on carriers prior to 10/00)
21	2234-T-1190	<b>M10-2234T1190</b>	Side Gear - IAD - Rear
22	3296-B-1328	<b>M10-3296B1328</b>	Shift Fork - IAD
23	JLM714149	<b>JLM714149MAF</b>	Bearing Cone - Rear Side Gear
24	JLM714110	<b>JLM714110MAF</b>	Bearing Cup - Rear Side Gear
25	41-X-1208	<b>M10-41X1208</b>	Adjusting Screw - Shift Shaft
26	MN-312-1	<b>M10-MN3121</b>	Jam Nut - Adjusting Screw
27, 28	KIT 2825	<b>M10-KIT2825</b>	Snap Ring - Shift Assembly
28	A-3261-L-350	<b>M10-A3261L350</b>	Shift Assembly - IAD Air
29	H715343	<b>H715343MAF</b>	Bearing Cone - Drive Pinion - Inner
30	H715311	<b>H715311MAF</b>	Bearing Cup - Drive Pinion - Inner
31	KIT 2429	<b>M10-KIT2429</b>	Shims - Drive Pinion
32	3892-U-4909	<b>M10-3892U4909</b>	Helical Driven Gear
33	65500	<b>65500MAF</b>	Bearing Cup - Drive Pinion - Outer
34	65237	<b>65237MAF</b>	Bearing Cone - Drive Pinion - Outer
35	1229-G-4063	<b>M10-1229G4063</b>	Washer - Drive Pinion Nut
36	40-X-1145	<b>M10-40X1145</b>	Nut - Drive Pinion
37	3266-C-1095	<b>M10-3266C1095</b>	Cover - Drive Pinion

## MAIN DIFFERENTIAL

**Kits**

- M10-DRK-4422

See Kits section for complete BOM.

## ITEM

## INDUSTRY PART NO.

## MERITOR PART NO.

## DESCRIPTION

**Main Differential**

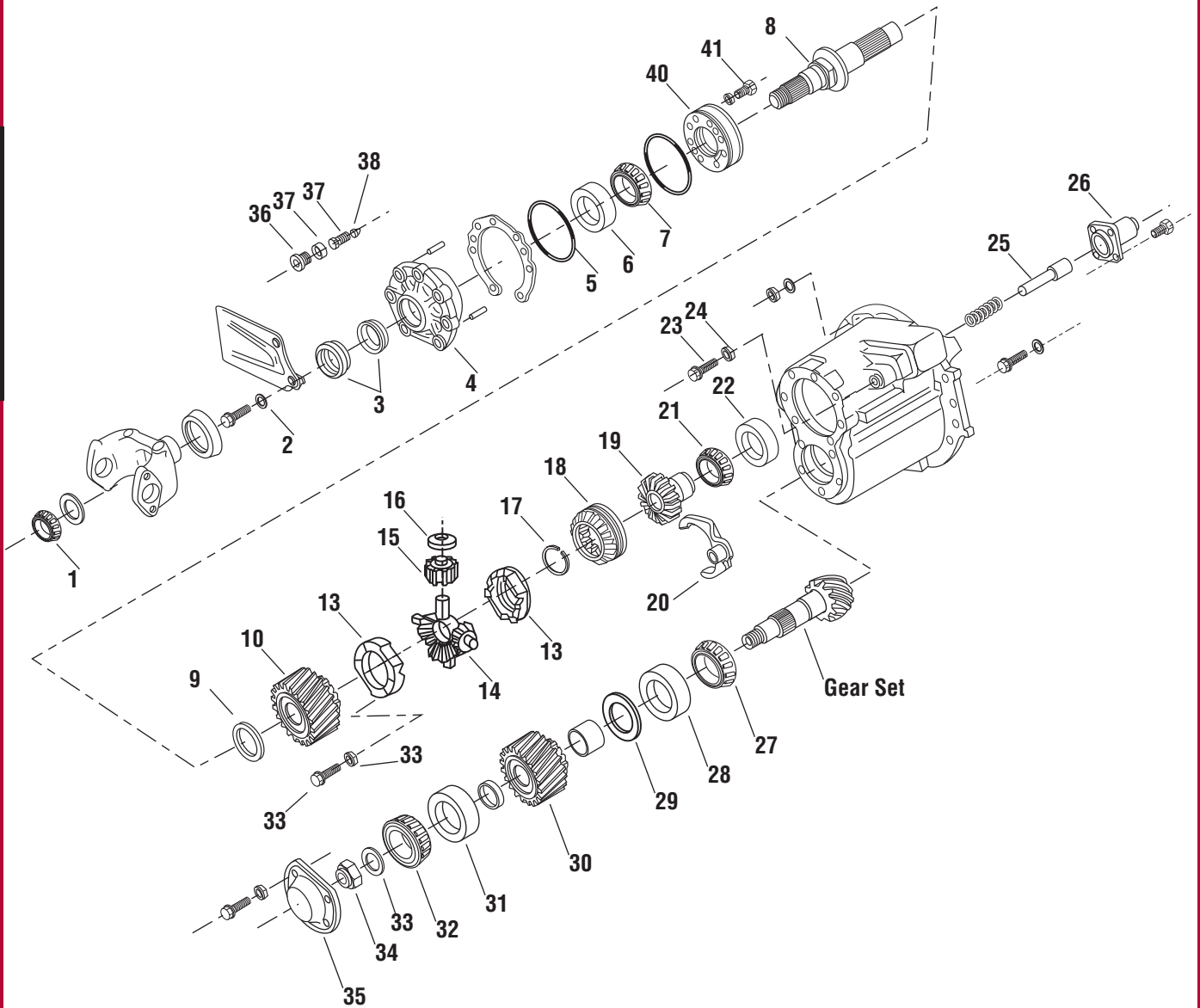
1	2214-G-1125	<b>M10-2214G1125</b>	Adjusting Ring - Differential
2	Bearing Cup		
	• 592A	<b>592AMAF</b>	Differential - Plain/Flange Half (right side)
	• 52618	<b>52618MAF</b>	Differential - Plain/Flange Half (left side)
3	Bearing Cone		
	• 52400	<b>52400MAF</b>	Differential - Plain/Flange Half (left side)
	• 594A	<b>594AMAF</b>	Differential - Plain/Flange Half (right side)
4, 10, 11	KIT 2426	<b>M10-KIT2426</b>	Bolt & Nut - Ring Gear to Diff Plain Half
5	1229-L-3002	<b>M10-1229L3002</b>	Thrust Washer - Side Gear
6	2234-C-1069	<b>M10-2234C1069</b>	Side Gear - Differential
7	3278-W-335	<b>M10-3278W335</b>	Spider - Differential
8	2233-M-1001	<b>M10-2233M1001</b>	Pinion Gear - Differential
9	1229-K-3001	<b>M10-1229K3001</b>	Thrust Washer - Differential

**Gear Sets**

A-39662-1	<b>M10-A396621</b>	Ratio 3.73
A-39876-1	<b>M10-A398761</b>	Ratio 3.91
A-39878-1	<b>M10-A398781</b>	Ratio 4.10
A-39880-1	<b>M10-A398801</b>	Ratio 4.30
A-39882-1	<b>M10-A398821</b>	Ratio 4.56
A-39664-1	<b>M10-A396641</b>	Ratio 4.89
A-39674-1	<b>M10-A396741</b>	Ratio 6.14
B-39892-1	<b>M10-B398921</b>	Ratio 6.43

# INPUT SHAFT AND INTER-AXLE DIFFERENTIAL

RPL23160



## Kits

- M10-DRK-4422

See Kits section for complete BOM.

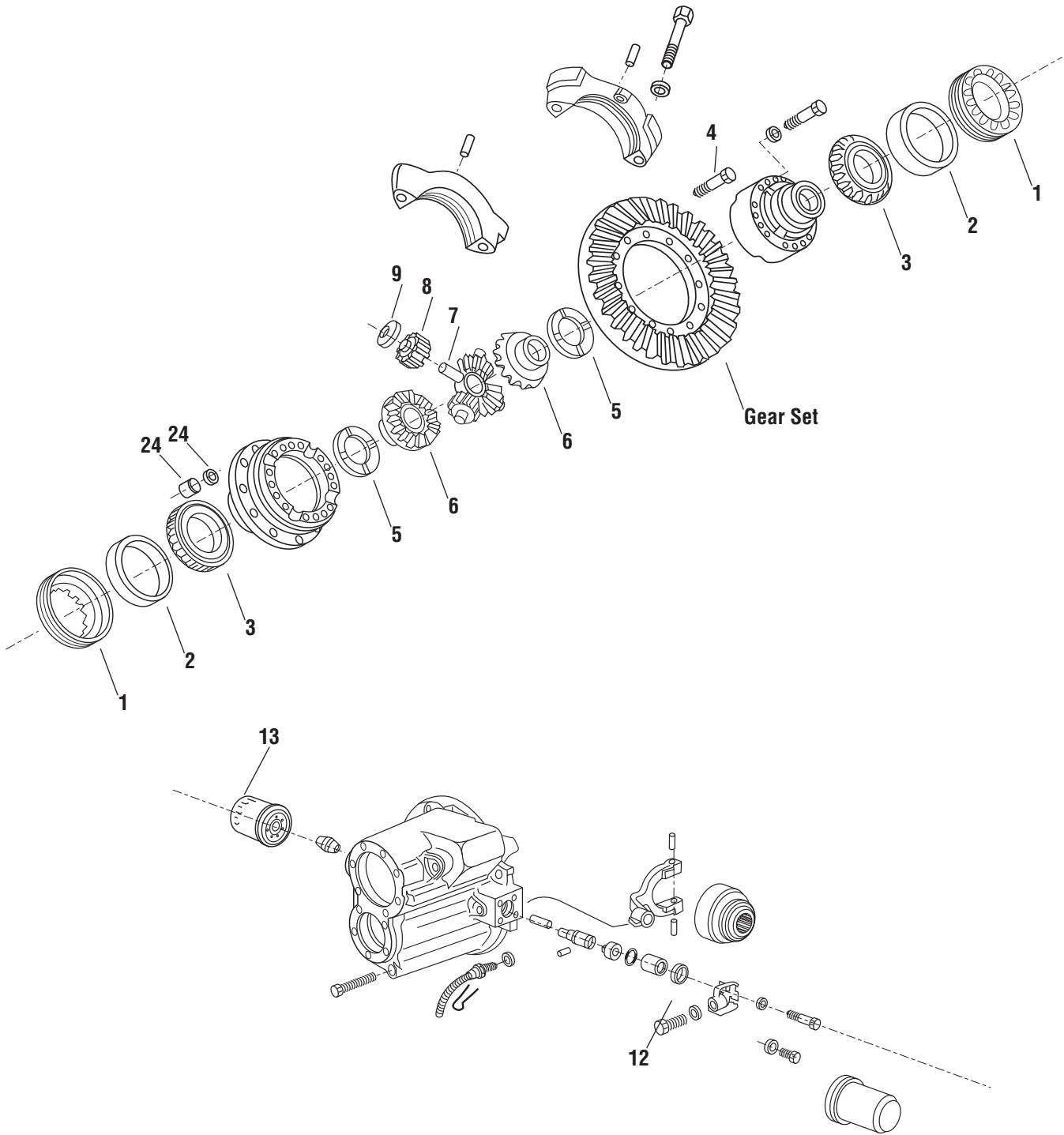


### Input Shaft and Inter-Axle Differential

1	KIT 2638	<b>M10-KIT2638</b>	Nut - Drive Pinion
1, 8	A1-3297-X-1194	<b>M10-A13297X1194</b>	Input Shaft and Nut Assembly
2	MWA-512	<b>M10-MWA512</b>	Washer - Input Nut
4, 6	A-3226-H-1126	<b>M10-A3226H1126</b>	Bearing Cage and Cup Assembly - Input
3	R945007	<b>M10-R945007</b>	Oil Seal - Input Bearing Cage - 3"
5	5-X-1343	<b>M10-5X1343</b>	O-Ring - Input Bearing Cage
6	HM813810	<b>HM813810MAF</b>	Bearing Cup - Input Shaft - Outer
7	HM813843	<b>HM813843MAF</b>	Bearing Cone - Input Shaft - Outer
9	1229-S-4985	<b>M10-1229S4985</b>	Thrust Washer - Helical Drive Gear
10	3892-T-4934	<b>M10-3892T4934</b>	Helical Drive Gear
11, 12, 13, 14, 15, 16, 27	A3-3235-A-2393	<b>M10-A33235A2393</b>	Case Assembly - IAD
14	3278-N-300	<b>M10-3278N300</b>	Spider - IAD
15	2233-K-245	<b>M10-2233K245</b>	Pinion Gear - IAD
16	1229-Q-2929	<b>M10-1229Q2929</b>	Thrust Washer - IAD
17	2297-S-5349	<b>M10-2297S5349</b>	Snap Ring - IAD
18	Clutch Collar		
	• 3107-P-1212	<b>M10-3107P1212</b>	IAD (use on carriers after 10/00)
	• A1-3235-A-2393	<b>M10-A13235A2393</b>	IAD (use on carriers prior to 10/00)
19	2234-T-1190	<b>M10-2234T1190</b>	Side Gear - IAD - Rear
20	3296-B-1328	<b>M10-3296B1328</b>	Shift Fork - IAD
21	JLM714149	<b>JLM714149MAF</b>	Bearing Cone - Rear Side Gear
22	JLM714110	<b>JLM714110MAF</b>	Bearing Cup - Rear Side Gear
23	41-X-1208	<b>M10-41X1208</b>	Adjusting Screw - Shift Shaft
24	MN-312-1	<b>M10-MN3121</b>	Jam Nut - Adjusting Screw
25, 26	KIT 2825	<b>M10-KIT2825</b>	Snap Ring - Shift Assembly
26	A-3261-L-350	<b>M10-A3261L350</b>	Shift Assembly - IAD Air
27	H715343	<b>H715343MAF</b>	Bearing Cone - Drive Pinion - Inner
28	H715311	<b>H715311MAF</b>	Bearing Cup - Drive Pinion - Inner
29	KIT 2429	<b>M10-KIT2429</b>	Shims - Drive Pinion
30	3892-U-4909	<b>M10-3892U4909</b>	Helical Driven Gear
31	65500	<b>65500MAF</b>	Bearing Cup - Drive Pinion - Outer
32	65237	<b>65237MAF</b>	Bearing Cone - Drive Pinion - Outer
33	1229-G-4063	<b>M10-1229G4063</b>	Washer - Drive Pinion Nut
34	40-X-1145	<b>M10-40X1145</b>	Nut - Drive Pinion
35	3266-C-1095	<b>M10-3266C1095</b>	Cover - Drive Pinion
36	1250-N-1080	<b>M10-1250N1080</b>	Plug - Oil Pressure Relief Valve
37	1229-F4062	<b>M10-1229F4062</b>	Plug - Oil Pressure Relief Valve
38	2258-Z-1118	<b>M10-2258Z1118</b>	Spring - Oil Pressure Relief Valve
39	2297-U-5273	<b>M10-2297U5273</b>	Valve - Oil Pressure Relief
40	A-3303-P-1030	<b>M10-A3303P1030</b>	Oil Pump Assembly
41	MS-208045-1	<b>M10-MS2080451</b>	Capscrew - Oil Pump

# MAIN DIFFERENTIAL

RPL23160



### Kits

- M10-DRK-4422

See Kits section for complete BOM.

### Main Differential

1	2214-G-1125	<b>M10-2214G1125</b>	Adjusting Ring - Differential
2	Bearing Cup		
	• 592A	<b>592AMAF</b>	Differential - Plain/Flange Half (right side)
	• 52618	<b>52618MAF</b>	Differential - Plain/Flange Half (left side)
3	Bearing Cone		
	• 52400	<b>52400MAF</b>	Differential - Plain/Flange Half (left side)
	• 594A	<b>594AMAF</b>	Differential - Plain/Flange Half (right side)
4, 10, 11	KIT 2426	<b>M10-KIT2426</b>	Bolt & Nut - Ring Gear to Diff Plain Half
5	1229-L-3002	<b>M10-1229L3002</b>	Thrust Washer - Side Gear
6	2234-C-1069	<b>M10-2234C1069</b>	Side Gear - Differential
7	3278-W-335	<b>M10-3278W335</b>	Spider - Differential
8	2233-M-1001	<b>M10-2233M1001</b>	Pinion Gear - Differential
9	1229-K-3001	<b>M10-1229K3001</b>	Thrust Washer - Differential

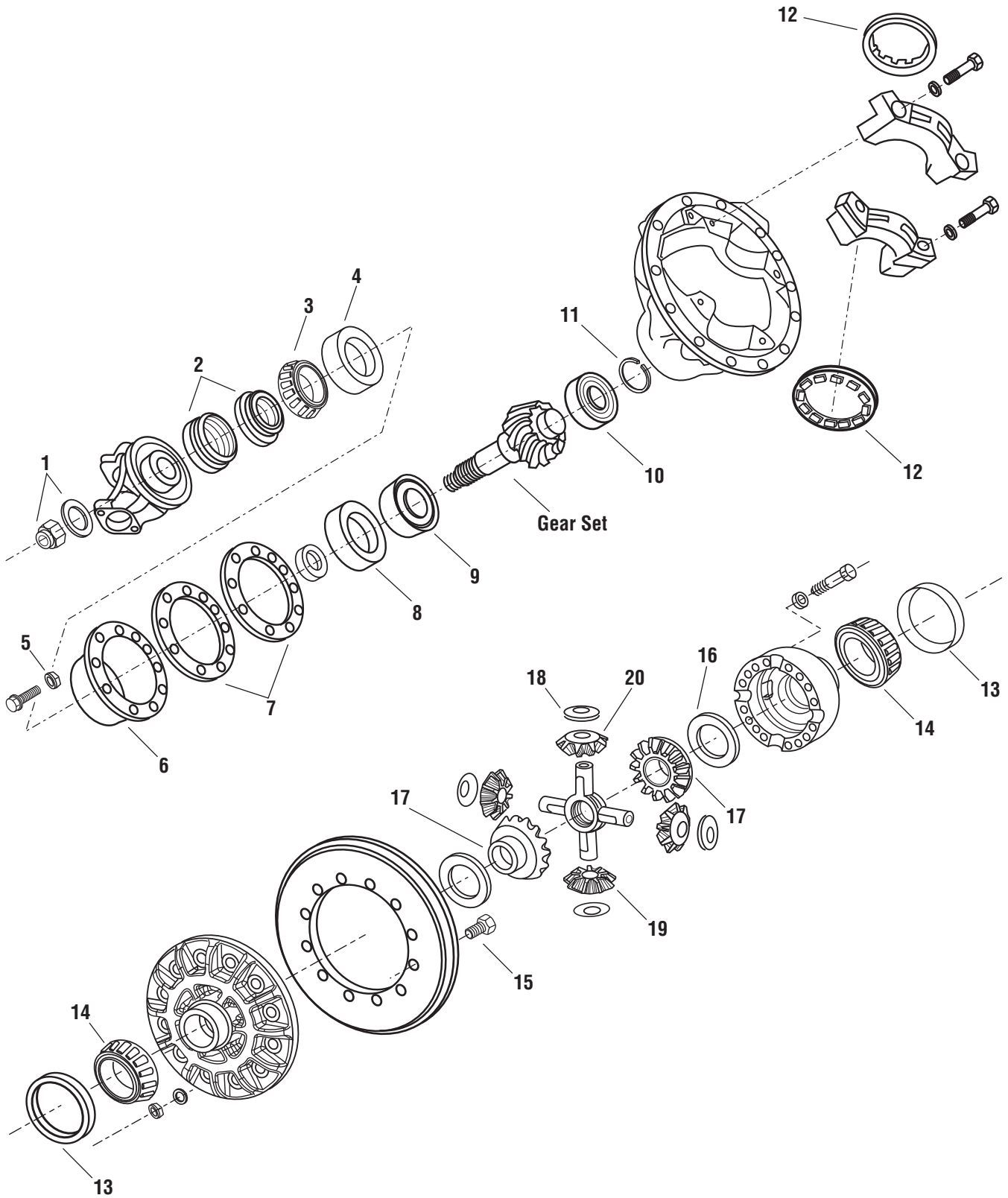
### Oil Pump and Differential Lock Assembly

12	5-X-1198	<b>M10-5X1198</b>	Piston - Differential Lock
13	3280-V-8394	<b>M10-3280V8394</b>	Oil Filter

### Gear Sets

A-39662-1	<b>M10-A396621</b>	Ratio 3.73
A-39876-1	<b>M10-A398761</b>	Ratio 3.91
A-39878-1	<b>M10-A398781</b>	Ratio 4.10
A-39880-1	<b>M10-A398801</b>	Ratio 4.30
A-39882-1	<b>M10-A398821</b>	Ratio 4.56
A-39664-1	<b>M10-A396641</b>	Ratio 4.89
A-39674-1	<b>M10-A396741</b>	Ratio 6.14
B-39892-1	<b>M10-B398921</b>	Ratio 6.43

# COMPLETE ASSEMBLY



## Kits

- M10-DRK-4415 — Old Design
- M10-DRK-4426 — New Design

See Kits section for complete BOM.



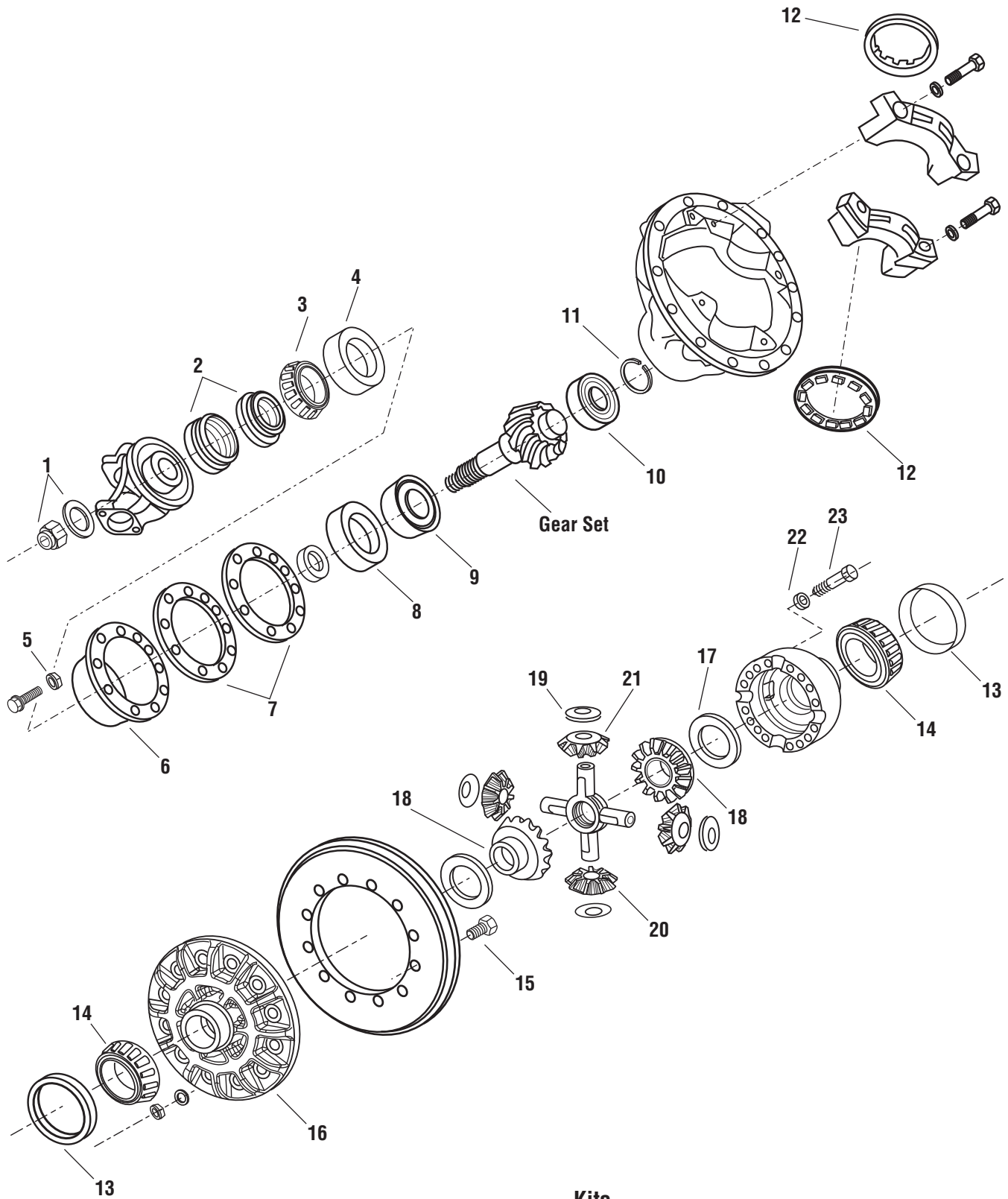
**Main Differential**

1	KIT 2638	<b>M10-KIT2638</b>	Nut - Drive Pinion
2	R945010	<b>M10-R945010</b>	Oil Seal - Pinion Bearing Cage
3	HM813843	<b>HM813843MAF</b>	Bearing Cone - Input Shaft - Outer
4	HM813810	<b>HM813810MAF</b>	Bearing Cup - Input Shaft - Outer
5	MWA-512	<b>M10-MWA512</b>	Washer - Input Nut
6	A-3226-R-1006	<b>M10-A3226R1006</b>	Pinion Bearing Cage and Cup Assembly
7	KIT 1592	<b>M10-KIT1592</b>	Shims - Drive Pinion
8	9220	<b>9220MAF</b>	Bearing Cup - Drive Pinion - Inner
9	9278	<b>9278MAF</b>	Bearing Cone - Drive Pinion - Inner
10	1228-B-1042	<b>1228B1042MAF</b>	Bearing - Drive Pinion Spigot
11	46-X-1029	<b>M10-46X1029</b>	Snap Ring Spigot - Bearing
12	Adjusting Ring		
	• 2214-G-1125	<b>M10-2214G1125</b>	Left Side
	• 2214-J-1128	<b>M10-2214J1128</b>	Right Side
13	Bearing Cup		
	• 592A	<b>592AMAF</b>	Differential - Plain/Flange Half (left side)
	• 52618	<b>52618MAF</b>	Differential - Plain/Flange Half (right side)
14	Bearing Cone		
	• 52400	<b>52400MAF</b>	Differential - Plain/Flange Half (right side)
	• 594A	<b>594AMAF</b>	Differential - Plain/Flange Half (left side)
13, 14	32021	<b>32021MAF</b>	Bearing Assembly - Cup/Cone (left and right)
15	KIT 2426	<b>M10-KIT2426</b>	Bolt & Nut - Ring Gear to Diff Plain Half
16	1229-L-3002	<b>M10-1229L3002</b>	Thrust Washer - Side Gear
17	2234-C-1069	<b>M10-2234C1069</b>	Side Gear - Differential
18	1229-K-3001	<b>M10-1229K3001</b>	Thrust Washer - Differential
19	2233-M-1001	<b>M10-2233M1001</b>	Pinion Gear - Differential
20	3278-W-335	<b>M10-3278W335</b>	Spider - Differential

**Gear Sets**

A-41572-1	<b>M10-A415721</b>	Ratio 2.80
A-39904-5	<b>M10-A399045</b>	Ratio 3.58
A-39906-5	<b>M10-A399065</b>	Ratio 3.73
A-39884-5	<b>M10-A398845</b>	Ratio 3.91
A-39886-5	<b>M10-A398865</b>	Ratio 4.10
A-39888-5	<b>M10-A398885</b>	Ratio 4.30
A-39890-5	<b>M10-A398905</b>	Ratio 4.56
A-40024-5	<b>M10-A400245</b>	Ratio 4.89
A-40104-5	<b>M10-A401045</b>	Ratio 5.38
A-40106-5	<b>M10-A401065</b>	Ratio 5.63
A-40110-5	<b>M10-A401105</b>	Ratio 6.14
A-40116-5	<b>M10-A401165</b>	Ratio 6.43
A-40122-5	<b>M10-A401225</b>	Ratio 7.17

# COMPLETE ASSEMBLY



## Kits

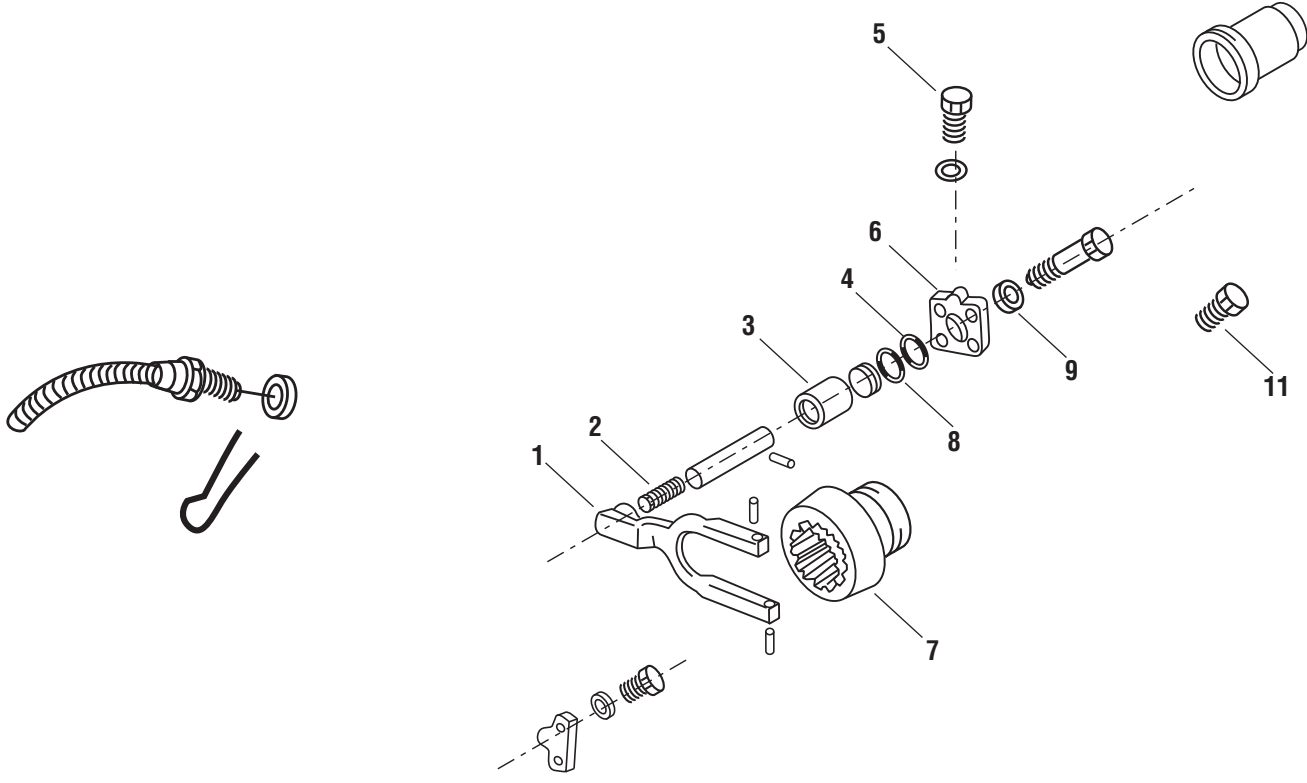
- M10-DRK-4426

See Kits section for complete BOM.

### Main Differential

1	KIT 2638	<b>M10-KIT2638</b>	Nut - Drive Pinion
2	R945010	<b>M10-R945010</b>	Oil Seal - Pinion Bearing Cage
3	HM813843	<b>HM813843MAF</b>	Bearing Cone - Input Shaft - Outer
4	HM813810	<b>HM813810MAF</b>	Bearing Cup - Input Shaft - Outer
5	MWA-512	<b>M10-MWA512</b>	Washer - Input Nut
6	A-3226-R-1006	<b>M10-A3226R1006</b>	Pinion Bearing Cage and Cup Assembly
7	KIT 1592	<b>M10-KIT1592</b>	Shims - Drive Pinion
8	9220	<b>9220MAF</b>	Bearing Cup - Drive Pinion - Inner
9	9278	<b>9278MAF</b>	Bearing Cone - Drive Pinion - Inner
10	Bearing		
	• 1228-B-1042	<b>1228B1042MAF</b>	Drive Pinion Spigot
	• A1-1228-P-1004	<b>M10-A1228P1004</b>	Bearing - Drive Pinion Spigot
11	46-X-1029	<b>M10-46X1029</b>	Snap Ring Spigot - Bearing
12	Adjusting Ring		
	• 2214-G-1125	<b>M10-2214G1125</b>	Differential (left side)
	• 2214-J-1128	<b>M10-2214J1128</b>	Differential (right side)
13	Bearing Cup		
	• 592A	<b>592AMAF</b>	Differential - Plain/Flange Half (left side)
	• 52618	<b>52618MAF</b>	Bearing Cup - Differential - Plain/Flange Half (right side)
14	Bearing Cone		
	• 52400	<b>52400MAF</b>	Differential - Plain/Flange Half (right side)
	• 594A	<b>594AMAF</b>	Differential - Plain/Flange Half (left side)
15	KIT 2426	<b>M10-KIT2426</b>	Bolt & Nut - Ring Gear to Diff Plain Half
16	3235-A-2107	<b>M10-3235A2107</b>	Differential Case - Plain Half
16, 22, 23	Assembly		
	• A2-3235-E-2111	<b>M10-A23235E2111</b>	Case Assembly - Differential (ratios: 3.91, 4.10, 4.30, 4.56)
	• A2-3235-G-2113	<b>M10-A23235G2113</b>	Case Assembly - Differential (ratios: 4.89, 5.38, 5.63, 6.14, 6.43, 6.83, 7.17)
	• A2-3235-C-2109	<b>M10-A23235C2109</b>	Case Assembly - Differential (ratios: 3.07, 3.21, 3.42, 3.58, 3.75)
17	1229-L-3002	<b>M10-1229L3002</b>	Thrust Washer - Side Gear
18	2234-C-1069	<b>M10-2234C1069</b>	Side Gear - Differential
19	1229-K-3001	<b>M10-1229K3001</b>	Thrust Washer - Differential
20	2233-M-1001	<b>M10-2233M1001</b>	Pinion Gear - Differential
21	3278-W-335	<b>M10-3278W335</b>	Spider - Differential

# DIFFERENTIAL LOCK



RRL23160

### Kits

- M10-DRK-4426

See Kits section for complete BOM.

**ITEM****INDUSTRY PART NO.****MERITOR PART NO.****DESCRIPTION****Differential Lock**

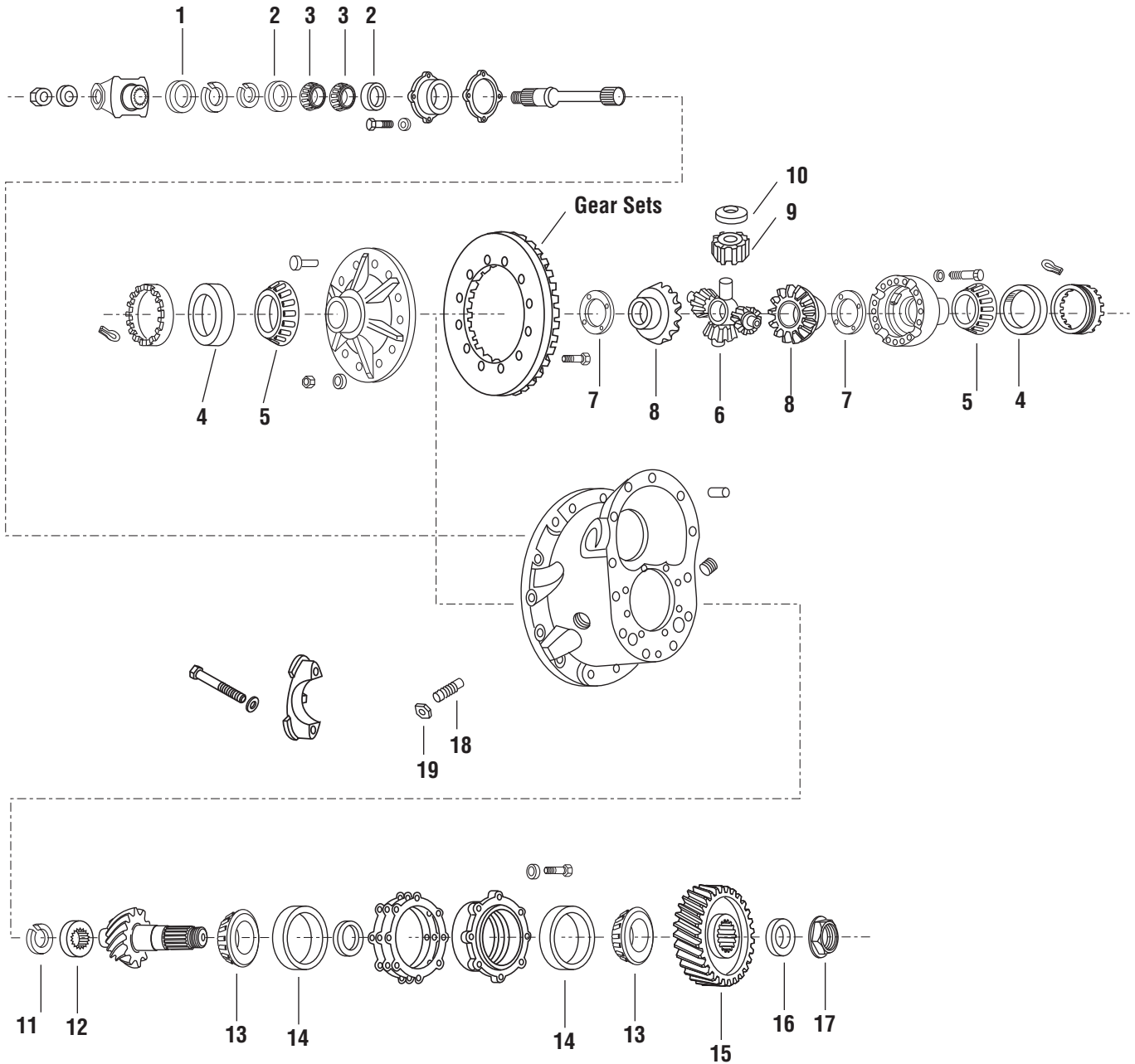
1	3296-B-1172	<b>M10-3296B1172</b>	Shift Fork - Differential Lock
2	2258-N-1262	<b>M10-2258N1262</b>	Spring - Differential Lock
3	3261-A-1067	<b>M10-3261A1067</b>	Tube - Air Cylinder
4	2208-H-944	<b>M10-2208H944</b>	Gasket - Air Cylinder
5	41-X-1368	<b>M10-41X1368</b>	O-Ring - Differential Lock
6	3266-F-1020	<b>M10-3266F1020</b>	Cover - Air Cylinder
7	3107-B-1094	<b>M10-3107B1094</b>	Clutch Collar - Differential Lock
8	5-X-1198	<b>M10-5X1198</b>	Piston - Differential Lock
9	MWA-506	<b>M10-MWA506</b>	Washer - Air Cylinder Cover
10	41-X-1364	<b>M10-41X1364</b>	Capscrew - Air Cylinder Cover
11	2208-L-1000	<b>M10-2208L1000</b>	Gasket - Plug

**Gear Sets**

A-41572-1	<b>M10-A415721</b>	Ratio 2.80
A-39904-5	<b>M10-A399045</b>	Ratio 3.58
A-39906-5	<b>M10-A399065</b>	Ratio 3.73
A-39884-5	<b>M10-A398845</b>	Ratio 3.91
A-39886-5	<b>M10-A398865</b>	Ratio 4.10
A-39888-5	<b>M10-A398885</b>	Ratio 4.30
A-39890-5	<b>M10-A398905</b>	Ratio 4.56
A-40024-5	<b>M10-A400245</b>	Ratio 4.89
A-40104-5	<b>M10-A401045</b>	Ratio 5.38
A-40106-5	<b>M10-A401065</b>	Ratio 5.63
A-40110-5	<b>M10-A401105</b>	Ratio 6.14
A-40116-5	<b>M10-A401165</b>	Ratio 6.43
A-40122-5	<b>M10-A401225</b>	Ratio 7.17



# INPUT AND MAIN DIFFERENTIAL ASSEMBLY



SQ100 FRONT

## Kits

- M10-DRK-194F

See Kits section for complete BOM.

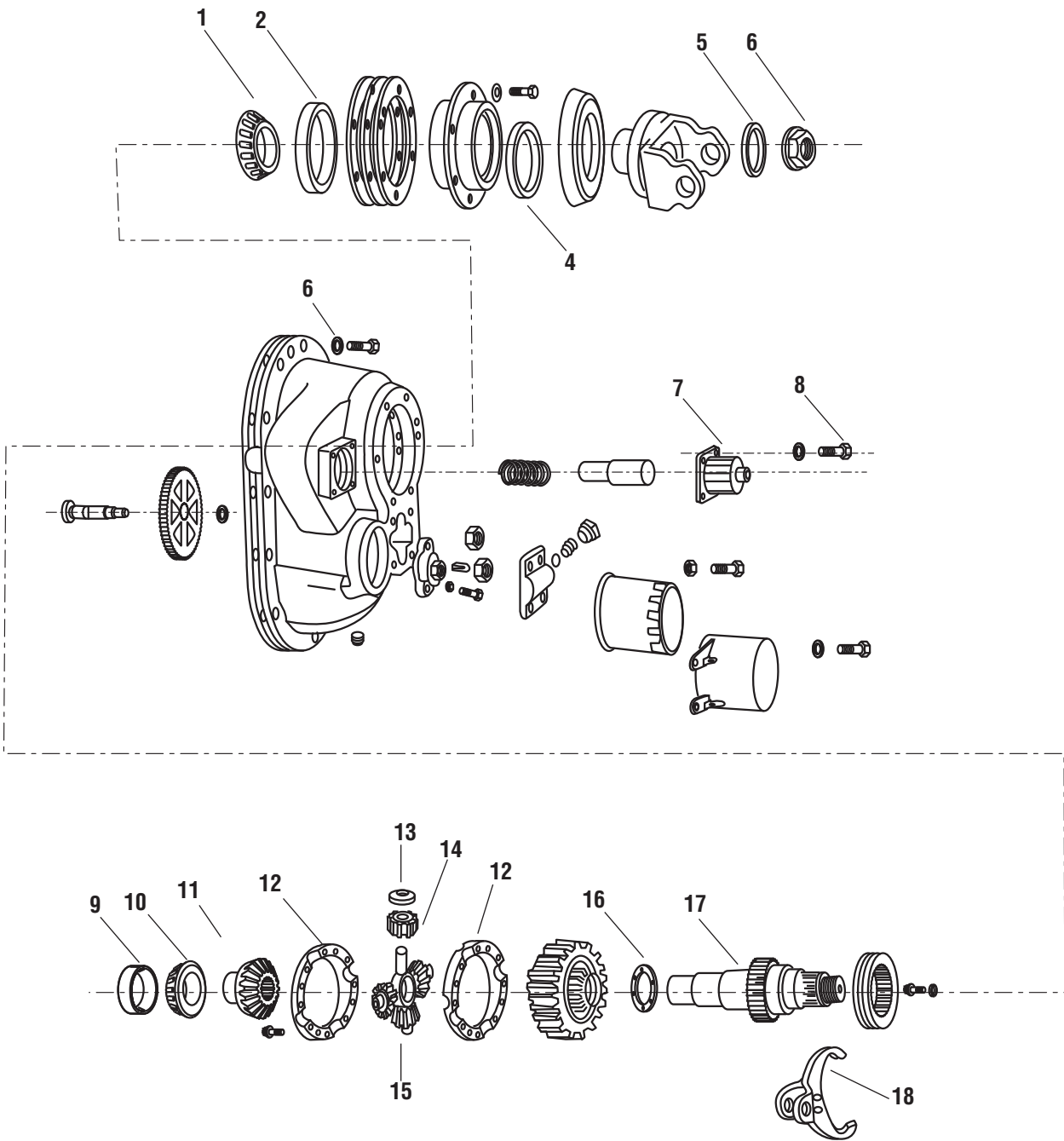
**Input Shaft and Inter-Axle Differential**

1	A-1205-G-2425	<b>M10-A120562425</b>	Seal - Thrushaft
2	LM603011	<b>LM603011MAF</b>	Bearing Cup - Thrushaft
3	LM603049	<b>LM603049MAF</b>	Bearing Cone - Thrushaft
4	JM716610	<b>JM716610MAF</b>	Bearing Cup - Differential - Plain/Flange Half
5	JM716649	<b>JM716649MAF</b>	Bearing Cone - Differential - Plain/Flange Half
6	3278-S-305	<b>M10-3278S305</b>	Spider - Differential
7	1229-T-1034	<b>M10-1229T1034</b>	Thrust Washer - Side Gear
8	2234-C-783	<b>M10-2234C783</b>	Side Gear - Differential 16 T. 41 Spl.
9	2233-U-151	<b>M10-2233U151</b>	Pinion Gear - Differential
10	1229-R-1032	<b>M10-1229R1032</b>	Thrust Washer - Differential
11	1229-A-1301	<b>M10-1229A1301</b>	Snap Ring - Drive Pinion Spigot Bearing
12	RU1570UM	<b>RU1570UMMAF</b>	Bearing - Drive Pinion Spigot
13	72212C	<b>72212CMAF</b>	Bearing Cone - Drive Pinion
14	72487	<b>72487MAF</b>	Bearing Cup - Drive Pinion
15	3892-S-3945	<b>M10-3892S3945</b>	Helical Driven Gear
16	1229-N-1730	<b>M10-1229N1730</b>	Washer - Drive Pinion Nut
17	1227-N-898	<b>M10-1227N898</b>	Nut - Drive Pinion
18	15-X-1025	<b>M10-15X1025</b>	Thrust Screw - Block Aduster
19	13-X-41	<b>M10-13X41</b>	Thrust Nut - Block Adjuster

**Gear Sets**

A-37278-2	<b>M10-A372782</b>	Ratio 3.55
A-39170-1	<b>M10-A391701</b>	Ratio 3.73
A-38002-1	<b>M10-A380021</b>	Ratio 3.90
A-38836-1	<b>M10-A388361</b>	Ratio 4.10
A-37404-1	<b>M10-A374041</b>	Ratio 4.33
A-37530-2	<b>M10-A375302</b>	Ratio 4.44
A-37398-1	<b>M10-A373981</b>	Ratio 4.88

# SQ100 FRONT ADAPTER COVER ASSEMBLY



## Kits

- M10-DRK-194F

See Kits section for complete BOM.

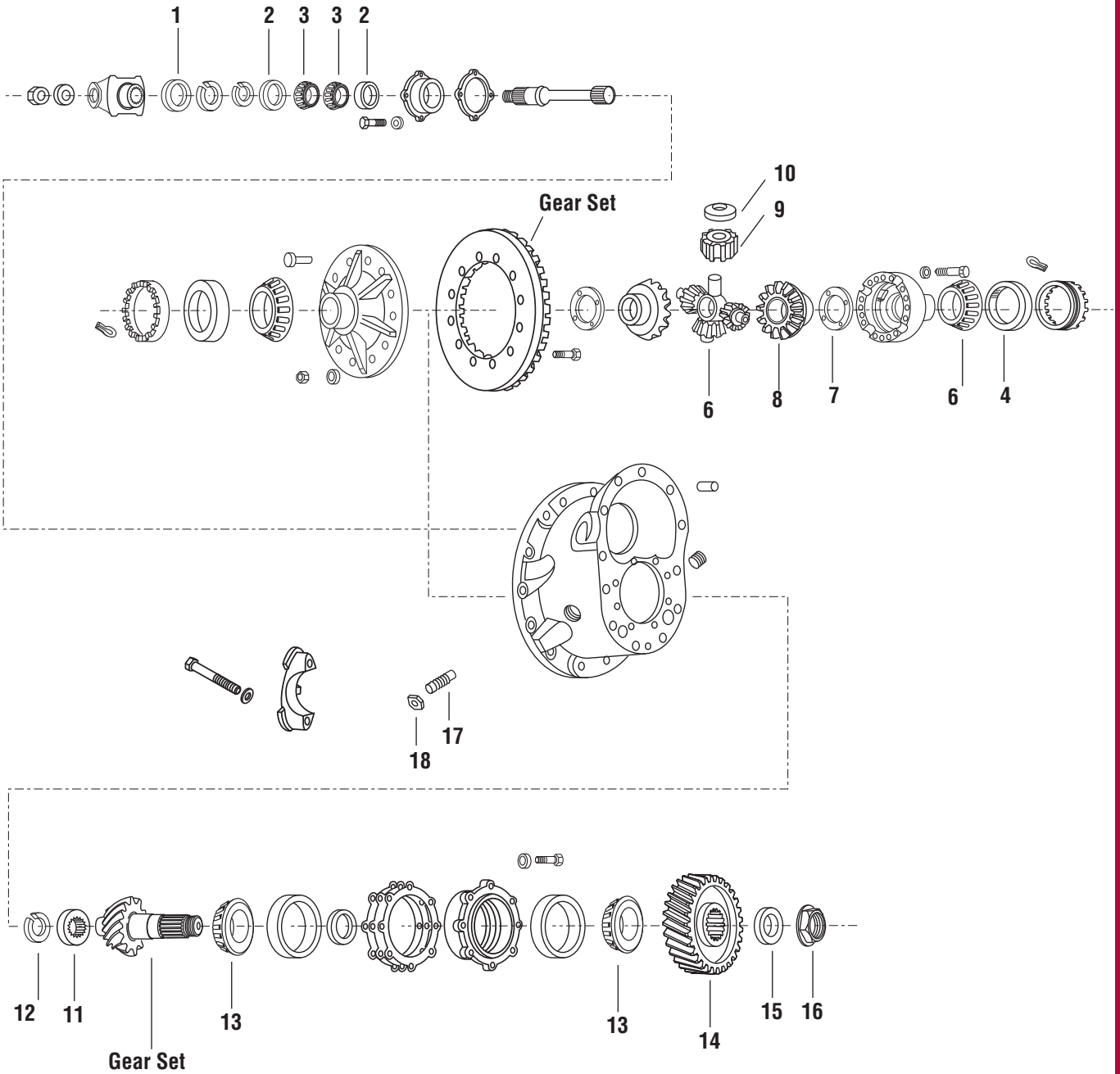
**ITEM****INDUSTRY PART NO.****MERITOR PART NO.****DESCRIPTION****Adapter Cover Assembly**

1	JM511946	<b>JM511946MAF</b>	Bearing Cone - Input Shaft - Outer
2	JM511910	<b>JM511910MAF</b>	Bearing Cup - Input Shaft - Outer
3	A1-1205-Y-2729	<b>M10-A11205Y2729</b>	Oil Seal - Input Bearing Cage (pre 8-83)
3	R945008	<b>M10-R945008</b>	Oil Seal - Input Bearing Cage (all others)
4	1229-T-1736	<b>M10-1229T1736</b>	Washer - Input Shaft Nut
5	1227-R-902	<b>M10-1227R902</b>	Nut - Input Yoke and Shaft
6	1229-C-1511	<b>M10-1229C1511</b>	Washer - Input Bearing Cage
7, 8	KIT 2266	<b>M10-KIT2266</b>	Air Chamber - Shift Assembly
9	JLM710910	<b>JLM710910MAF</b>	Bearing Cup - Rear Side Gear
10	JLM710949C	<b>JLM710949CMAF</b>	Bearing Cone - Rear Side Gear
11	2234-E-1019	<b>M10-2234E1019</b>	Side Gear - IAD - Rear
12, 13, 14, 15	A3-3235-F-1800	<b>M10-A33235F1800</b>	Inter-Axle Nest Assembly
16	1229-M-4069	<b>M10-1229M4069</b>	Thrust Washer - Helical Drive Gear
17, 4, 5	A1-3297-Z-1014	<b>M10-A13297Z1014</b>	Input Shaft and Nut Assembly
18	A-3296-T-150	<b>M10-A3296T150</b>	Shift Fork - IAD

**Gear Sets**

A-37278-2	<b>M10-A372782</b>	Ratio 3.55
A-39170-1	<b>M10-A391701</b>	Ratio 3.73
A-38002-1	<b>M10-A380021</b>	Ratio 3.90
A-38836-1	<b>M10-A388361</b>	Ratio 4.10
A-37404-1	<b>M10-A374041</b>	Ratio 4.33
A-37530-2	<b>M10-A375302</b>	Ratio 4.44
A-37398-1	<b>M10-A373981</b>	Ratio 4.88

# INPUT AND MAIN DIFFERENTIAL ASSEMBLY



SQ100P FRONT

## Kits

- M10-DRK-194F

See Kits section for complete BOM.



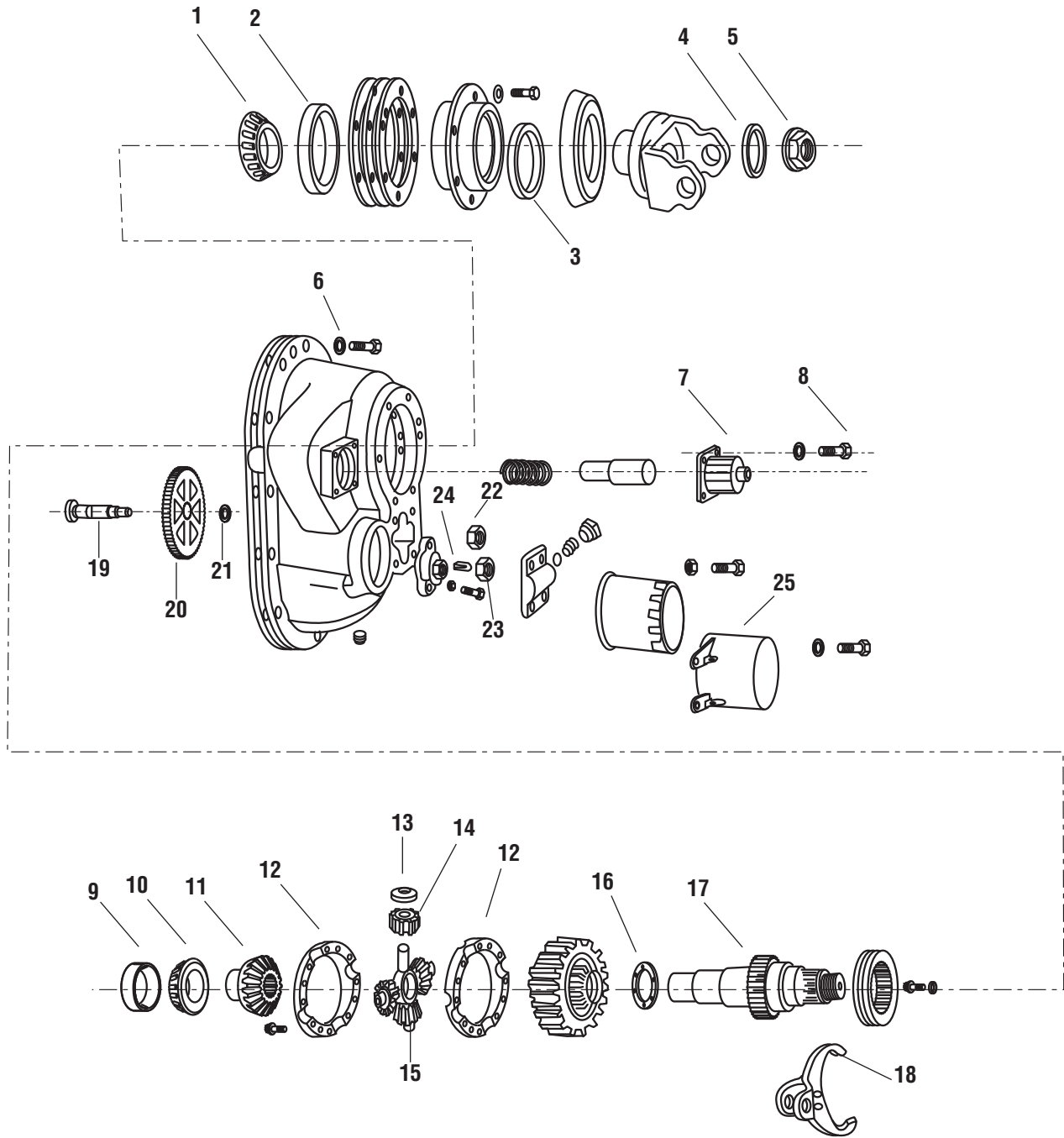
**Input and Main Differential Assembly**

1	A-1205-G-2425	<b>M10-A120562425</b>	Seal - Thrushaft
2	LM603011	<b>LM603011MAF</b>	Bearing Cup - Thrushaft
3	LM603049	<b>LM603049MAF</b>	Bearing Cone - Thrushaft
4	JM716610	<b>JM716610MAF</b>	Bearing Cup - Differential - Plain/Flange Half
5	JM716649	<b>JM716649MAF</b>	Bearing Cone - Differential - Plain/Flange Half
6	3278-S-305	<b>M10-3278S305</b>	Spider - Differential
7	1229-T-1034	<b>M10-1229T1034</b>	Thrust Washer - Side Gear
8	2234-C-783	<b>M10-2234C783</b>	Side Gear - Differential 16 T. 41 Spl.
9	2233-U-151	<b>M10-2233U151</b>	Pinion Gear - Differential
10	1229-R-1032	<b>M10-1229R1032</b>	Thrust Washer - Differential
11	RU1570UM	<b>RU1570UMMAF</b>	Bearing - Drive Pinion Spigot
12	1229-A-1301	<b>M10-1229A1301</b>	Snap Ring - Drive Pinion Spigot Bearing
13	72212C	<b>72212CMAF</b>	Bearing Cone - Drive Pinion - Outer
14	3892-S-3945	<b>M10-3892S3945</b>	Helical Driven Gear
15	1229-N-1730	<b>M10-1229N1730</b>	Washer - Drive Pinion Nut
16	1227-N-898	<b>M10-1227N898</b>	Nut - Drive Pinion
17	15-X-1025	<b>M10-15X1025</b>	Thrust Screw - Block Aduster
18	13-X-41	<b>M10-13X41</b>	Thrust Nut - Block Adjuster

**Gear Sets**

A-37278-2	<b>M10-A372782</b>	Ratio 3.55
A-39170-1	<b>M10-A391701</b>	Ratio 3.73
A-38002-1	<b>M10-A380021</b>	Ratio 3.90
A-38836-1	<b>M10-A388361</b>	Ratio 4.10
A-37404-1	<b>M10-A374041</b>	Ratio 4.33
A-37530-2	<b>M10-A375302</b>	Ratio 4.44
A-37398-1	<b>M10-A373981</b>	Ratio 4.88

# ADAPTOR COVER ASSEMBLY



## Kits

- M10-DRK-194RB

See Kits section for complete BOM.

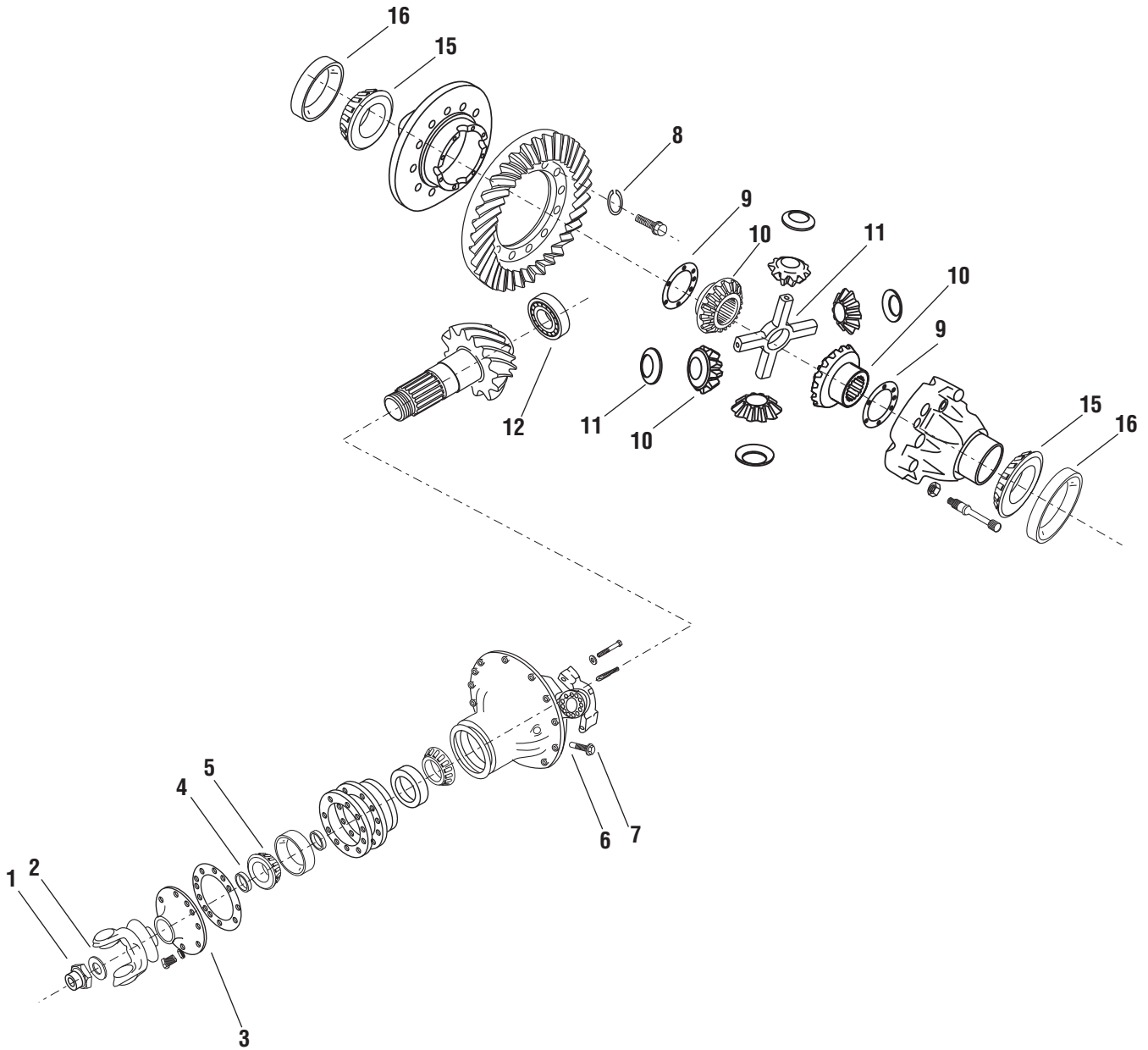
### Adapter Cover Assembly

1	JM511946	<b>JM511946MAF</b>	Bearing Cone - Input Shaft - Outer
2	JM511910	<b>JM511910MAF</b>	Bearing Cup - Input Shaft - Outer
3	A1-1205-Y-2729	<b>M10-A11205Y2729</b>	Oil Seal - Input Bearing Cage (pre 8-83)
3	R945008	<b>M10-R945008</b>	Oil Seal - Input Bearing Cage (all others)
4	1229-T-1736	<b>M10-1229T1736</b>	Washer - Input Shaft Nut
5	1227-R-902	<b>M10-1227R902</b>	Nut - Input Yoke and Shaft
6	1229-C-1511	<b>M10-1229C1511</b>	Washer - Input Bearing Cage
7, 8	KIT 2266	<b>M10-KIT2266</b>	Air Chamber - Shift Assembly
9	JLM710910	<b>JLM710910MAF</b>	Bearing Cup - Rear Side Gear
10	JLM710949C	<b>JLM710949CMAF</b>	Bearing Cone - Rear Side Gear
11	2234-E-1019	<b>M10-2234E1019</b>	Side Gear - IAD - Rear
12, 13, 14, 15	A3-3235-F-1800	<b>M10-A33235F1800</b>	Inter-Axle Nest Assembly
16	1229-M-4069	<b>M10-1229M4069</b>	Thrust Washer - Helical Drive Gear
17, 4, 5	A1-3297-Z-1014	<b>M10-A13297Z1014</b>	Input Shaft and Nut Assembly
18	A-3296-T-150	<b>M10-A3296T150</b>	Shift Fork - IAD
19, 20	A1-2297-B-4240	<b>M10-A12297B4240</b>	Oil Pump Assembly
21	1229-G-2763	<b>M10-1229G2763</b>	Snap Ring - Pump Shaft
22	3892-Z-4368	<b>M10-3892Z4368</b>	Gear - Pump Drive
23	3892-A-4369	<b>M10-3892A4369</b>	Gear - Pump Driven
24	1199-R-3346	<b>M10-1199R3346</b>	Shaft - Pump Idler
25	3280-V-6964	<b>M10-3280V6964</b>	Shield - Oil Filter

### Gear Sets

A-37278-2	<b>M10-A372782</b>	Ratio 3.55
A-39170-1	<b>M10-A391701</b>	Ratio 3.73
A-38002-1	<b>M10-A380021</b>	Ratio 3.90
A-38836-1	<b>M10-A388361</b>	Ratio 4.10
A-37404-1	<b>M10-A374041</b>	Ratio 4.33
A-37530-2	<b>M10-A375302</b>	Ratio 4.44
A-37398-1	<b>M10-A373981</b>	Ratio 4.88

# COMPLETE ASSEMBLY



## Kits

- M10-DRK-194RB

See Kits section for complete BOM.

**ITEM****INDUSTRY PART NO.****MERITOR PART NO.****DESCRIPTION****Complete Assembly**

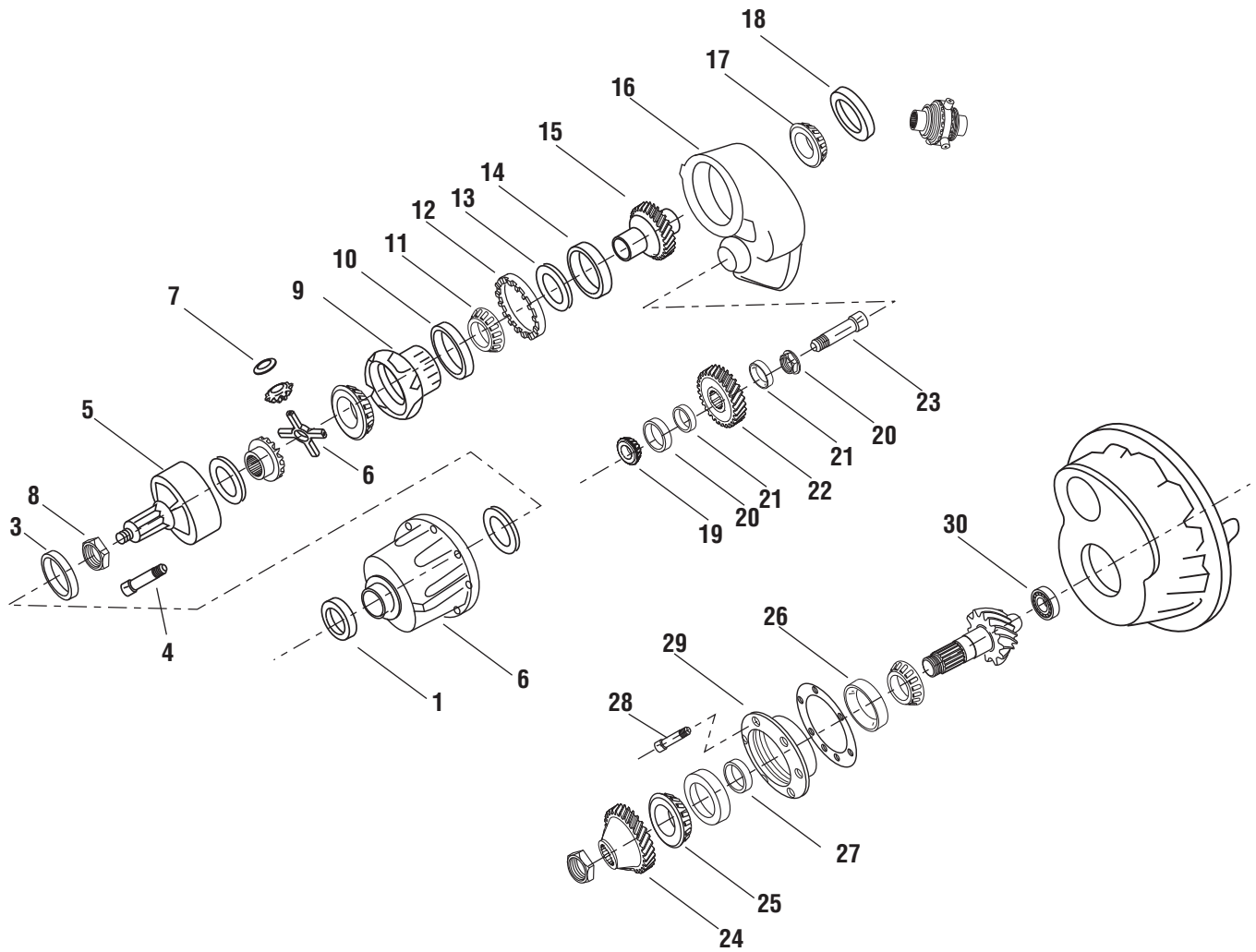
1	1227-R-902	<b>M10-1227R902</b>	Nut - Input Yoke and Shaft
2	1229-T-1736	<b>M10-1229T1736</b>	Washer - Input Shaft Nut
3	1229-C-1511	<b>M10-1229C1511</b>	Washer - Input Bearing Cage
4	A-1205-U-1685	<b>M10-A1205U1685</b>	Oil Seal - Input Bearing Cage
5	72212C	<b>72212CMAF</b>	Bearing Cone - Drive Pinion - Outer
6	15-X-1025	<b>M10-15X1025</b>	Thrust Screw - Block Aduster
7	13-X-41	<b>M10-13X41</b>	Thrust Nut - Block Adjuster
8	1229-A-1301	<b>M10-1229A1301</b>	Snap Ring - Drive Pinion Spigot Bearing
9	1229-T-1034	<b>M10-1229T1034</b>	Thrust Washer - Side Gear
10	2234-C-783	<b>M10-2234C783</b>	Side Gear - Differential 16 T. 41 Spl.
11	3278-S-305	<b>M10-3278S305</b>	Spider - Differential
12	2233-U-151	<b>M10-2233U151</b>	Pinion Gear - Differential
13	1229-R-1032	<b>M10-1229R1032</b>	Thrust Washer - Differential
14	RU1570UM	<b>RU1570UMMAF</b>	Bearing - Drive Pinion Spigot
15	JM716649	<b>JM716649MAF</b>	Bearing Cone - Differential - Plain/Flange Half
16	JM716610	<b>JM716610MAF</b>	Bearing Cup - Differential - Plain/Flange Half

**Gear Sets**

A-39424-1	<b>M10-A394241</b>	Ratio 3.42
A-39168-1	<b>M10-A391681</b>	Ratio 3.73
A-38520-1	<b>M10-A385201</b>	Ratio 3.9
A-38730-1	<b>M10-A387301</b>	Ratio 4.1
A-37382-1	<b>M10-A373821</b>	Ratio 4.33
A-37566-1	<b>M10-A375661</b>	Ratio 4.63



# INPUT SHAFT AND INTER-AXLE DIFFERENTIAL



## Kits

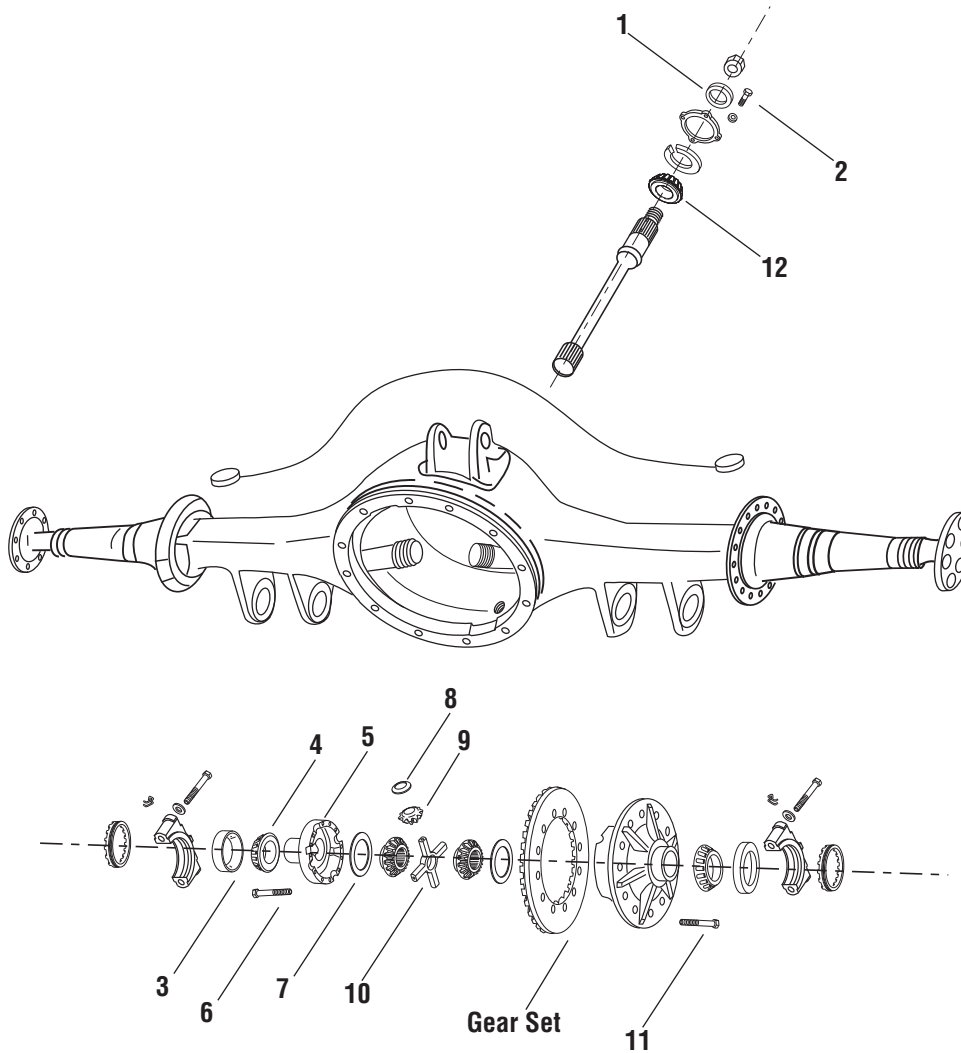
- M10-DRK-200F — Involute Splines
- M10-DRK-200FA — Involute Splines (Late Design)

See Kits section for complete BOM.

### Input Shaft and Inter-Axle Differential

1	25709R1	<b>M11-25709</b>	Washer - Output Shaft (3/8")
2	586045C1	<b>M11-586045</b>	Plug - Housing
3	JLM710910C	<b>JLM710910CMAF</b>	Bearing Cup - IAD - Front
4	27857R1	<b>M11-27857</b>	Bolt Kit - IAD Case
5	463415C2	<b>M11-463415</b>	Case - IAD Front
6	463412C1	<b>M11-463412</b>	Spider - IAD; Spider - Differential
7	463413C1	<b>M11-463413</b>	Thrust Washer - IAD
8	JLM710949C	<b>JLM710949CMAF</b>	Bearing Cone - IAD - Front
9	463404C93	<b>M11-463404</b>	Case - IAD Rear
10	28921	<b>28921MAF</b>	Bearing Cup - IAD - Rear
11	28985	<b>28985MAF</b>	Bearing Cone - IAD Rear
12	XLS5-1/8AF	<b>XLS51/8AFMAF</b>	Bearing - IAD - Rear Ball
13	495024C1	<b>M11-495024</b>	Snap Ring - IAD
14	463430C2	<b>M11-463430</b>	Clutch Collar
15	2500275C1	<b>M11-2500275</b>	Helical Drive Gear
16	Case		
	• 583164C1	<b>M11-583164</b>	IAD Case (1-1/4")
	• 592534C92	<b>M11-592534</b>	Shift Cylinder
	• 504131C1	<b>M11-504131</b>	Insert - Shift Fork
	• 378066R1	<b>M11-378066</b>	Retaining Ring
	• 586045C1	<b>M11-586045</b>	Plug - Case
17	JLM710949C	<b>JLM710949CMAF</b>	Bearing Con - Input Shaft - Rear
18	JLM710910C	<b>JLM710910CMAF</b>	Bearing Cup - Input Gear
19	1696472C1	<b>M11-1696472</b>	Nut - Idler Gear
20	Bearing Cone		
	• 3877	<b>3877MAF</b>	Idler Gear - Front/Rear (old design)
	• M802048	<b>M802048MAF</b>	Idler Gear - Front/Rear (new design)
21	Bearing Cup		
	• 3820	<b>3820MAF</b>	Idler Gear - Front/Rear (old design)
	• M802011	<b>M802011MAF</b>	Idler Gear - Front/Rear (new design)
22	2501606C91	<b>M11-2501606</b>	Idler Gear
23	463420C2	<b>M11-463420</b>	Shaft - Idler Gear
24	2500276C1	<b>M11-2500276</b>	Gear - Drive Pinion Driven
25	72225C	<b>72225CMAF</b>	Bearing Cone - Drive Pinion - Outer/Inner
26	72487	<b>72487MAF</b>	Bearing Cup - Drive Pinion - Outer/Inner
27	393979C1	<b>M11-393979</b>	Spacer - Drive Pinion - .742"
28	1691152C1	<b>M11-1691152</b>	Bolt Kit - Bearing Cage
29	482787C91	<b>M11-482787</b>	Bearing Cage with Cups
30	MU1307UM	<b>MU1307UMMAF</b>	Bearing - Drive Pinion Spigot
Not Shown	587212C1	<b>M11-587212</b>	Case - Shaft
Not Shown	464248C1	<b>M11-464248</b>	Thrust Washer - Front Side Gear
Not Shown	504810C91	<b>M11-504810</b>	Shift Fork - with Inserts
Not Shown	TRA4860	<b>TRA4860MAF</b>	Thrust Race - Front Side Gear
Not Shown	W4860	<b>W4860MAF</b>	Thrust Bearing - Front Side Gear
Not Shown	A-1205-N-1496	<b>M10-A1205N1496</b>	Seal - Thrushaft

# MAIN DIFFERENTIAL AND OUTPUT ASSEMBLY



## Kits

- M10-DRK-200F — Involute Splines
- M10-DRK-200FA — Involute Splines (Late Design)

See Kits section for complete BOM.

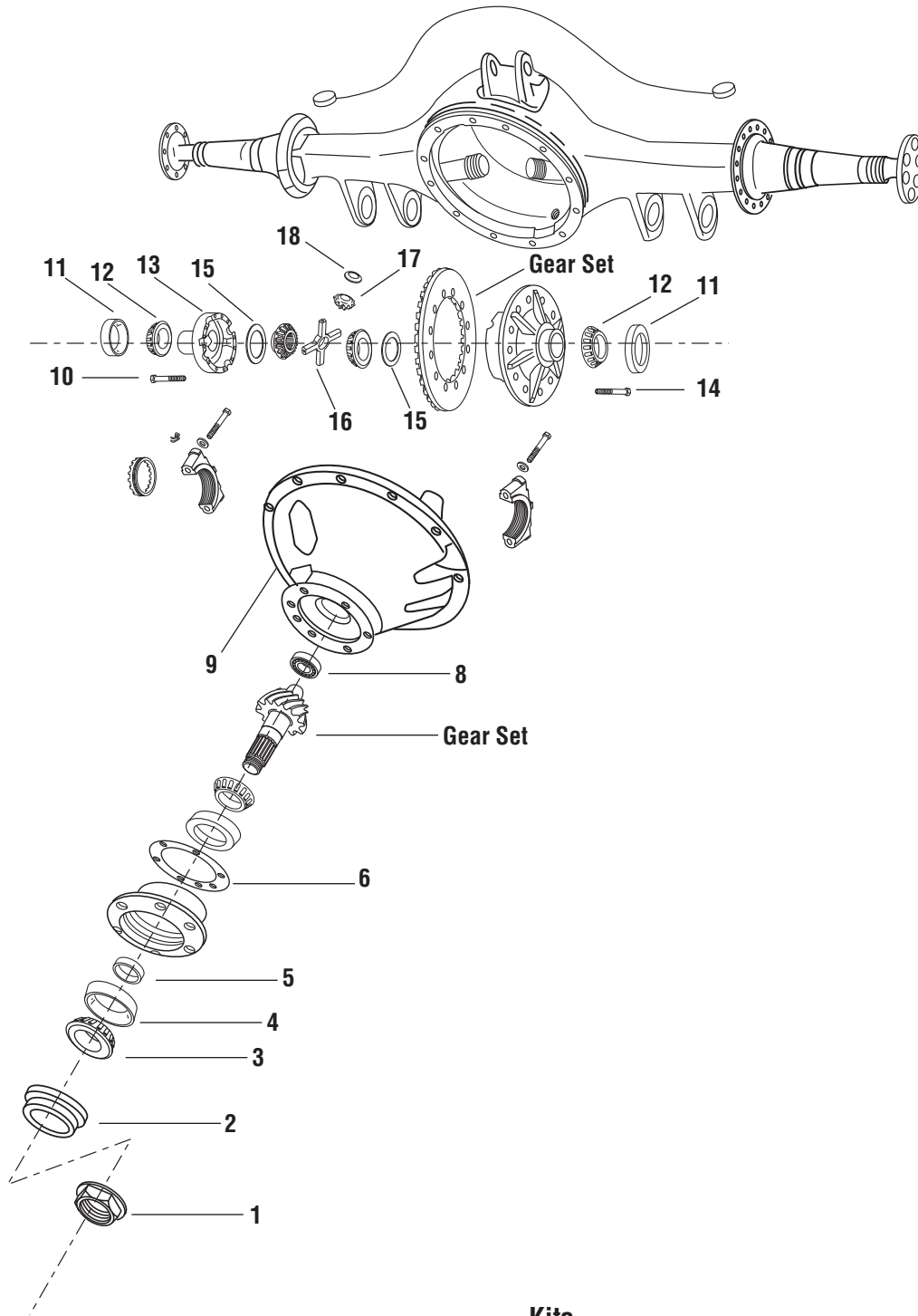
**Main Differential**

1	1691146C2	<b>M11-1691146</b>	Seal - Output Shaft
2	26310R1	<b>M11-26310</b>	Bolt - Output Shaft
3	47820	<b>47820MAF</b>	Bearing Cup - Differential - Plain/Flange Half
4	47890	<b>47890MAF</b>	Bearing Cone - Differential - Plain/Flange Half
5	864358R2	<b>M11-864358</b>	Case - Differential Plain Half
6	27293R1	<b>M11-27293</b>	Nut Kit - Ring Gear to Diff Plain Half
7	157494R1	<b>M11-157494</b>	Thrust Washer - Side Gear
8	864360R1	<b>M11-864360</b>	Thrust Washer - Differential
9	42GC100	<b>M11-42GC100</b>	Pinion Gear - Differential
10	864356R2	<b>M11-864356</b>	Spider - Differential
11	1696994C91	<b>M11-1696994</b>	Bolt Kit - Ring Gear to Diff Plain Half
12	210	<b>210MAF</b>	Bearing - Output Shaft
Not Shown	19415R1	<b>M11-19415</b>	Roll Pin - Drive Pinion

**Gear Sets**

597236C91	<b>M11-597236</b>	Ratio 3.54
597237C91	<b>M11-597237</b>	Ratio 3.73
597238C91	<b>M11-597238</b>	Ratio 3.91
597239C91	<b>M11-597239</b>	Ratio 4.10
597240C91	<b>M11-597240</b>	Ratio 4.44
597241C91	<b>M11-597241</b>	Ratio 4.78
1694169C91	<b>M11-1694169</b>	Ratio 5.11
597242C91	<b>M11-597242</b>	Ratio 5.38
1698369C91	<b>M11-1698369</b>	Ratio 5.63
597243C91	<b>M11-597243</b>	Ratio 6.14
597244C91	<b>M11-597244</b>	Ratio 6.57
597245C91	<b>M11-597245</b>	Ratio 7.17

# COMPLETE ASSEMBLY



## Kits

- M10-DRK-192RB

See Kits section for complete BOM.



## ITEM

## INDUSTRY PART NO.

## MERITOR PART NO.

## DESCRIPTION

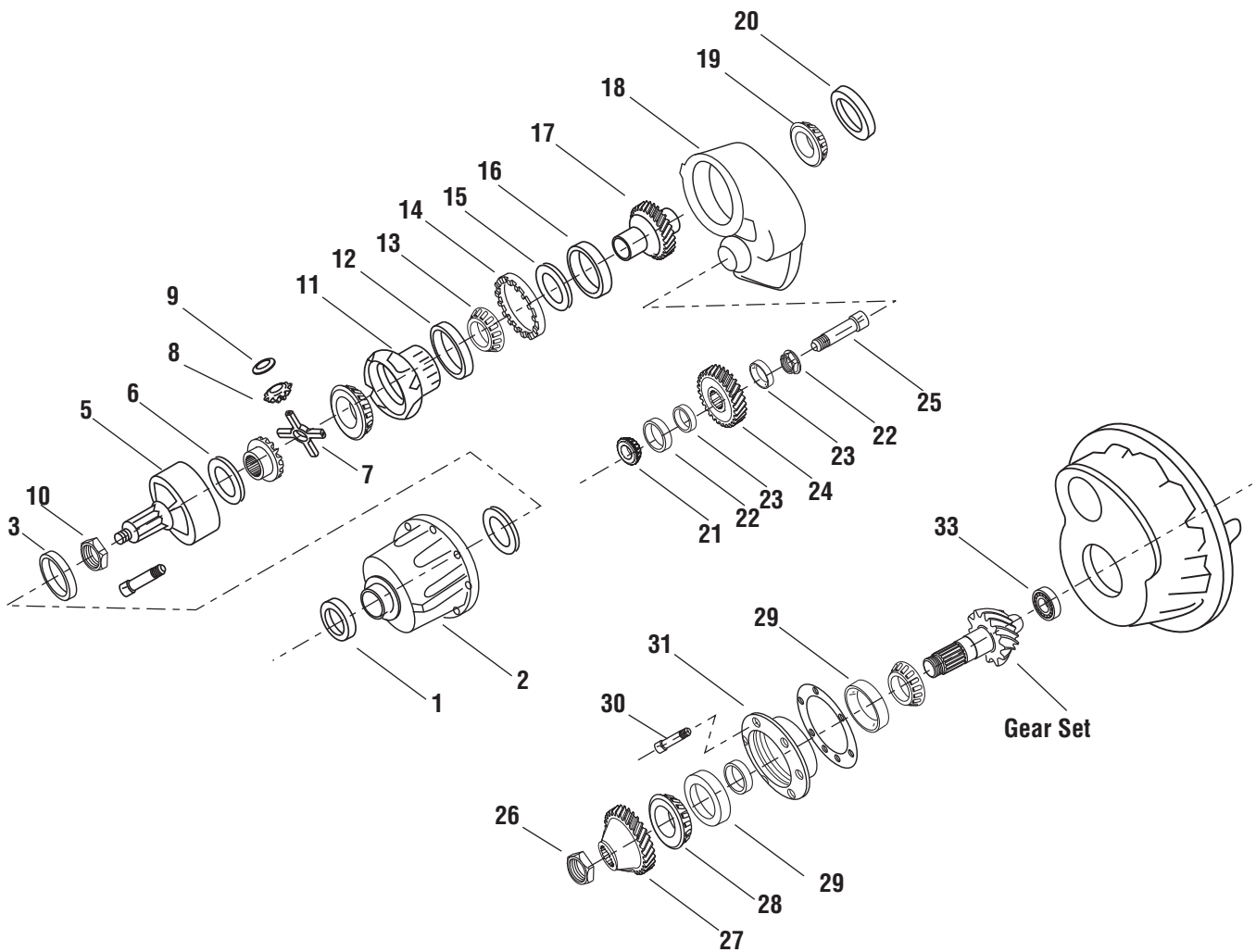
**Main Differential**

1	1696474C1	<b>M11-1696474</b>	Nut - Drive Pinion
2	401HH102	<b>M11-401HH102</b>	Seal - Drive Pinion
3	72225C	<b>72225CMAF</b>	Bearing Cone - Drive Pinion - Outer/Inner
4	72487	<b>72487MAF</b>	Bearing Cup - Drive Pinion - Outer/Inner
5	393979C1	<b>M11-393979</b>	Spacer - Drive Pinion - .742"
6	454719C2	<b>M11-4547192</b>	Bearing Cage
8	MU1307UM	<b>MU1307UMMAF</b>	Bearing - Drive Pinion Spigot
9	586045C1	<b>M11-586045</b>	Plug - Case
10	27293R1	<b>M11-27293</b>	Nut Kit - Ring Gear to Diff Plain Half
11	47820	<b>47820MAF</b>	Bearing Cup - Differential - Plain/Flange Half
12	47890	<b>47890MAF</b>	Bearing Cone - Differential - Plain/Flange Half
13	864358R2	<b>M11-864358</b>	Case - Differential Plain Half
14	1696994C91	<b>M11-1696994</b>	Bolt Kit - Ring Gear to Diff Plain Half
15	157494R1	<b>M11-157494</b>	Thrust Washer - Side Gear
16	864356R2	<b>M11-864356</b>	Spider - Differential
17	42GC100	<b>M11-42GC100</b>	Pinion Gear - Differential
18	864360R1	<b>M11-864360</b>	Thrust Washer - Differential
Not Shown	1691152C1	<b>M11-1691152</b>	Bolt Kit - Bearing Cage

**Gear Sets**

597237C91	<b>M11-597237</b>	Ratio 3.73
597238C91	<b>M11-597238</b>	Ratio 3.91
597239C91	<b>M11-597239</b>	Ratio 4.10
597240C91	<b>M11-597240</b>	Ratio 4.44
597241C91	<b>M11-597241</b>	Ratio 4.78
1694169C91	<b>M11-1694169</b>	Ratio 5.11
597242C91	<b>M11-597242</b>	Ratio 5.38
1698369C91	<b>M11-1698369</b>	Ratio 5.63
597243C91	<b>M11-597243</b>	Ratio 6.14
597244C91	<b>M11-597244</b>	Ratio 6.57
597245C91	<b>M11-597245</b>	Ratio 7.17
597236C91	<b>M11-597236</b>	Ratio 3.54

# INPUT SHAFT AND INTER-AXLE DIFFERENTIAL



## Kits

- M10-DRK-192RB

See Kits section for complete BOM.

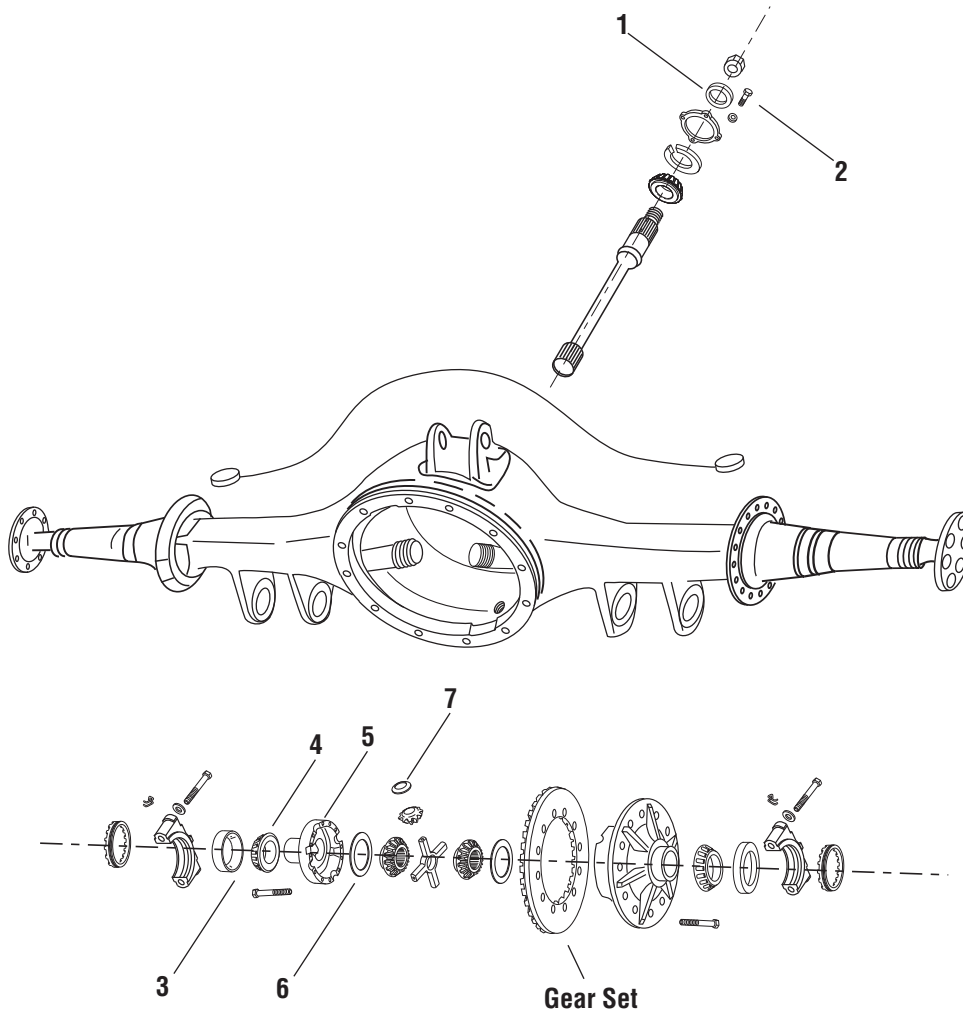
## Input Shaft and Inter-Axle Differential

1	25709R1	<b>M11-25709</b>	Washer - Output Shaft (3/8")
2	586045C1	<b>M11-586045</b>	Plug - Housing
3	JLM710910C	<b>JLM710910CMAF</b>	Bearing Cup - IAD - Front
4	27857R1	<b>M11-27857</b>	Bolt Kit - IAD Case
5	463415C2	<b>M11-463415</b>	Case - IAD Front
6	464248C1	<b>M11-464248</b>	Thrust Washer - Front Side Gear

### Input Shaft and Inter-Axle Differential (continued)

7	463412C1	<b>M11-463412</b>	Spider - IAD
8	2500277C1	<b>M11-2500277</b>	Pinion Gear - Differential
9	463413C1	<b>M11-463413</b>	Thrust Washer - IAD
10	JLM710949C	<b>JLM710949CMAF</b>	Bearing Cone - Input Shaft - Rear
11	463404C93	<b>M11-463404</b>	Case - IAD Rear
12	28921	<b>28921MAF</b>	Bearing Cup - IAD - Rear
13	28985	<b>28985MAF</b>	Bearing Cone - IAD Rear
14	XLS5-1/8AF	<b>XLS51/8AFMAF</b>	Bearing - IAD - Rear Ball
15	495024C1	<b>M11-495024</b>	Snap Ring - IAD
16	463430C2	<b>M11-463430</b>	Clutch Collar
17	2500275C1	<b>M11-2500275</b>	Helical Drive Gear
18	IAD Kit		
	• 583164C1	<b>M11-583164</b>	IAD Case (1-1/4")
	• 592534C92	<b>M11-592534</b>	Shift Cylinder
	• 504131C1	<b>M11-504131</b>	Insert - Shift Fork
	• 378066R1	<b>M11-378066</b>	Retaining Ring
	• 586045C1	<b>M11-586045</b>	Plug - Case
	• 504810C91	<b>M11-504810</b>	Shift Fork - with Inserts
	• 587212C1	<b>M11-587212</b>	Case - Shaft
19	JLM710949C	<b>JLM710949CMAF</b>	Bearing Cone - IAD - Front
20	JLM710910C	<b>JLM710910CMAF</b>	Bearing Cup -Input Gear
21	1696472C1	<b>M11-1696472</b>	Nut - Idler Gear
22	Bearing Cone		
	• 3877	<b>3877MAF</b>	Idler Gear - Front/Rear (old design)
	• M802048	<b>M802048MAF</b>	Idler Gear - Front/Rear (new design)
23	Bearing Cup		
	• 3820	<b>3820MAF</b>	Idler Gear - Front/Rear (old design)
	• M802011	<b>M802011MAF</b>	Idler Gear - Front/Rear (new design)
24	2501606C91	<b>M11-2501606</b>	Idler Gear
25	463420C2	<b>M11-463420</b>	Shaft - Idler Gear
	TRA4860	<b>TRA4860MAF</b>	Thrust Race - Front Side Gear
	W4860	<b>W4860MAF</b>	Thrust Bearing - Front Side Gear
	A-1205-N-1496	<b>M10-A1205N1496</b>	Seal - Thrushaft
26	1696474C1	<b>M11-1696474</b>	Nut - Input Shaft, Nut - Drive Pinion
27	19415R1	<b>M11-19415</b>	Roll Pin - Drive Pinion
28	Bearing Cone		
	• H715343	<b>H715343MAF</b>	Drive Pinion - Inner
	• HM813844	<b>HM813844MAF</b>	Drive Pinion - Outer
29	Bearing Cup		
	• H715311	<b>H715311MAF</b>	Drive Pinion - Inner
	• HM813810	<b>HM813810MAF</b>	Drive Pinion - Outer
30	1691152C1	<b>M11-1691152</b>	Bolt Kit - Bearing Cage
31	482784C91	<b>M11-482784</b>	Bearing Cage
32	1697352C91	<b>M11-1697352</b>	Bolt Kit - Ring Gear to Diff Plain Half
33	MU1308UM	<b>MU1308UMMAF</b>	Bearing - Drive Pinion Spigot

# MAIN DIFFERENTIAL AND OUTPUT ASSEMBLY



## Kits

- M11-DRK-210F — Involute Splines
- M11-DRK-210FA — Involute Splines (Late Design)

See Kits section for complete BOM.

**ITEM****INDUSTRY PART NO.****MERITOR PART NO.****DESCRIPTION****Main Differential and Output Assembly**

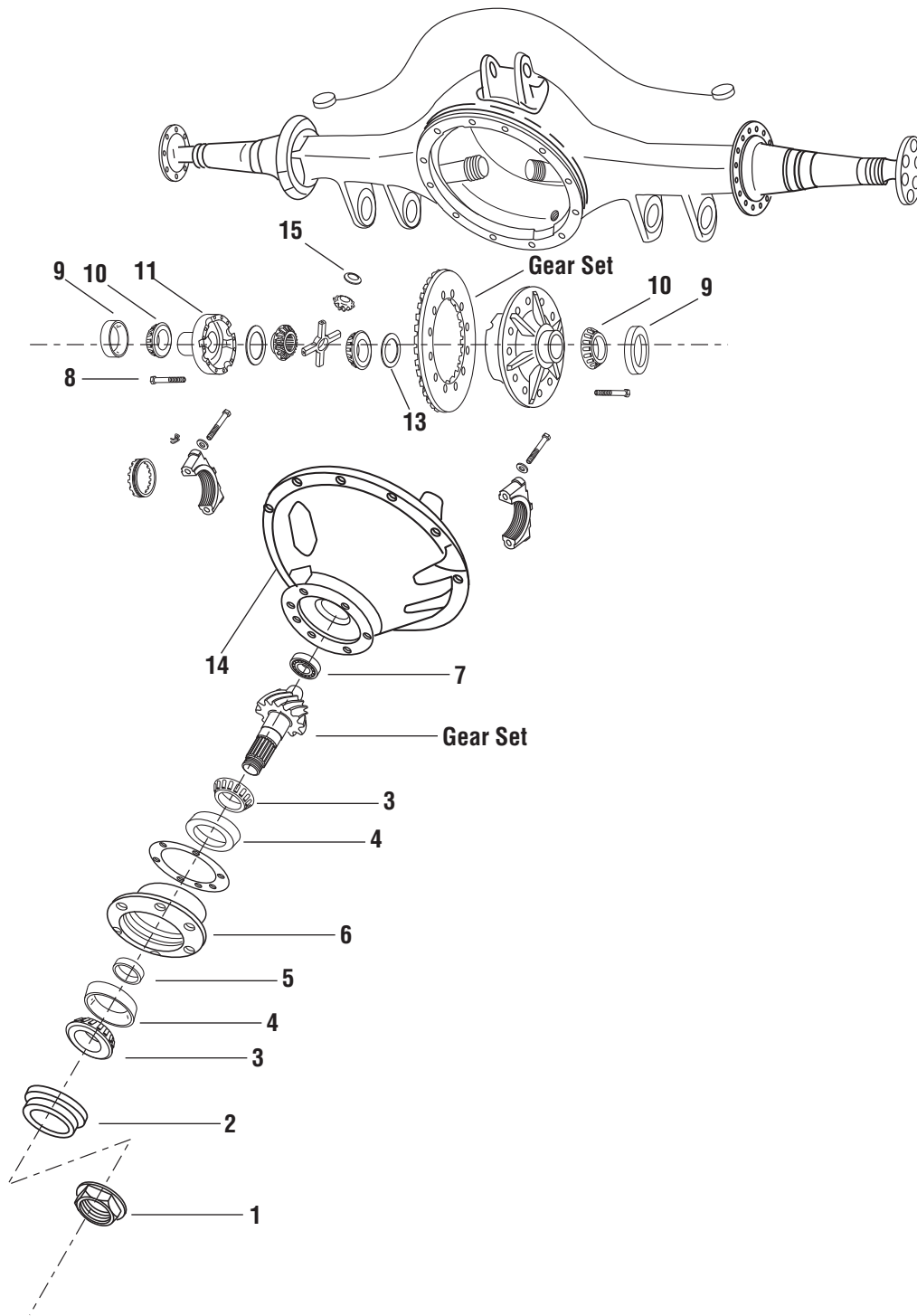
1	1691146C2	<b>M11-1691146</b>	Seal - Output Shaft
2	26310R1	<b>M11-26310</b>	Bolt - Output Shaft
3	56650	<b>56650MAF</b>	Bearing Cup - Differential - Plain/Flange Half
4	56425	<b>56425MAF</b>	Bearing Cone - Differential - Plain/Flange Half
5	161080R3	<b>M11-161080</b>	Case - Differential Plain Half
6	161064R1	<b>M11-161064</b>	Thrust Washer - Side Gear
7	161061R2	<b>M11-161061</b>	Thrust Washer - Pinion Gear

**Gear Sets**

597248C91	<b>M11-597248</b>	Ratio 3.73
597249C91	<b>M11-597249</b>	Ratio 3.91
597250C91	<b>M11-597250</b>	Ratio 4.10
597251C91	<b>M11-597251</b>	Ratio 4.44
597252C91	<b>M11-597252</b>	Ratio 4.78
597253C91	<b>M11-597253</b>	Ratio 5.38
597254C91	<b>M11-597254</b>	Ratio 6.14
597255C91	<b>M11-597255</b>	Ratio 6.57
597256C91	<b>M11-597256</b>	Ratio 7.17



# COMPLETE ASSEMBLY



## Kits

- M11-DRK-210R

See Kits section for complete BOM.

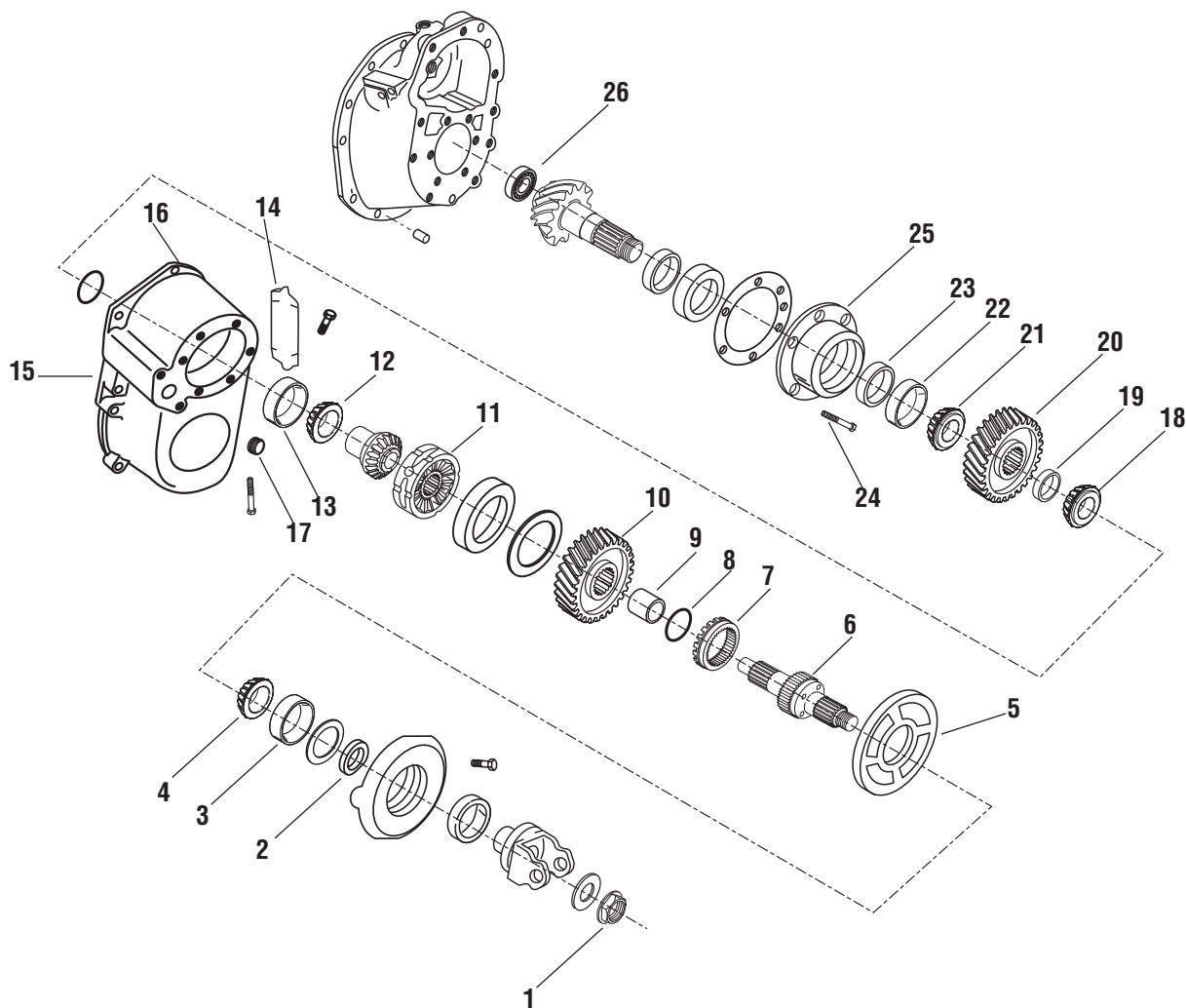
**Main Differential**

1	1696474C1	<b>M11-1696474</b>	Nut - Input Shaft, Nut - Drive Pinion
2	401HH102	<b>M11-401HH102</b>	Seal - Drive Pinion
3	Bearing Cone		
	• H715343	<b>H715343MAF</b>	Drive Pinion - Inner
	• HM813844	<b>HM813844MAF</b>	Drive Pinion - Outer
4	Bearing Cup		
	• H715311	<b>H715311MAF</b>	Drive Pinion - Inner
	• HM813810	<b>HM813810MAF</b>	Drive Pinion - Outer
5	892790R1	<b>M11-892790</b>	Spacer - Drive Pinion - .375"
6	482782C91	<b>M11-482782</b>	Bearing Cage with Cups
7	MU1308UM	<b>MU1308UMMAF</b>	Bearing - Drive Pinion Spigot
8	1697352C91	<b>M11-1697352</b>	Bolt Kit - Ring Gear to Diff Plain Half
9	56650	<b>56650MAF</b>	Bearing Cup - Differential - Plain/Flange Half
10	56425	<b>56425MAF</b>	Bearing Cone - Differential - Plain/Flange Half
11	161080R3	<b>M11-161080</b>	Case - Differential Plain Half
13	161064R1	<b>M11-161064</b>	Thrust Washer - Side Gear
14	586045C1	<b>M11-586045</b>	Plug - Case
15	161061R2	<b>M11-161061</b>	Thrust Washer - Pinion Gear

**Gear Sets**

597248C91	<b>M11-597248</b>	Ratio 3.73
597249C91	<b>M11-597249</b>	Ratio 3.91
597250C91	<b>M11-597250</b>	Ratio 4.1
597251C91	<b>M11-597251</b>	Ratio 4.44
597252C91	<b>M11-597252</b>	Ratio 4.78
597253C91	<b>M11-597253</b>	Ratio 5.38
597254C91	<b>M11-597254</b>	Ratio 6.14
597255C91	<b>M11-597255</b>	Ratio 6.57
597256C91	<b>M11-597256</b>	Ratio 7.17

# INPUT SHAFT AND INTER-AXLE DIFFERENTIAL



## Kits

- M11-DRK-223F

See Kits section for complete BOM.

## ITEM

## INDUSTRY PART NO.

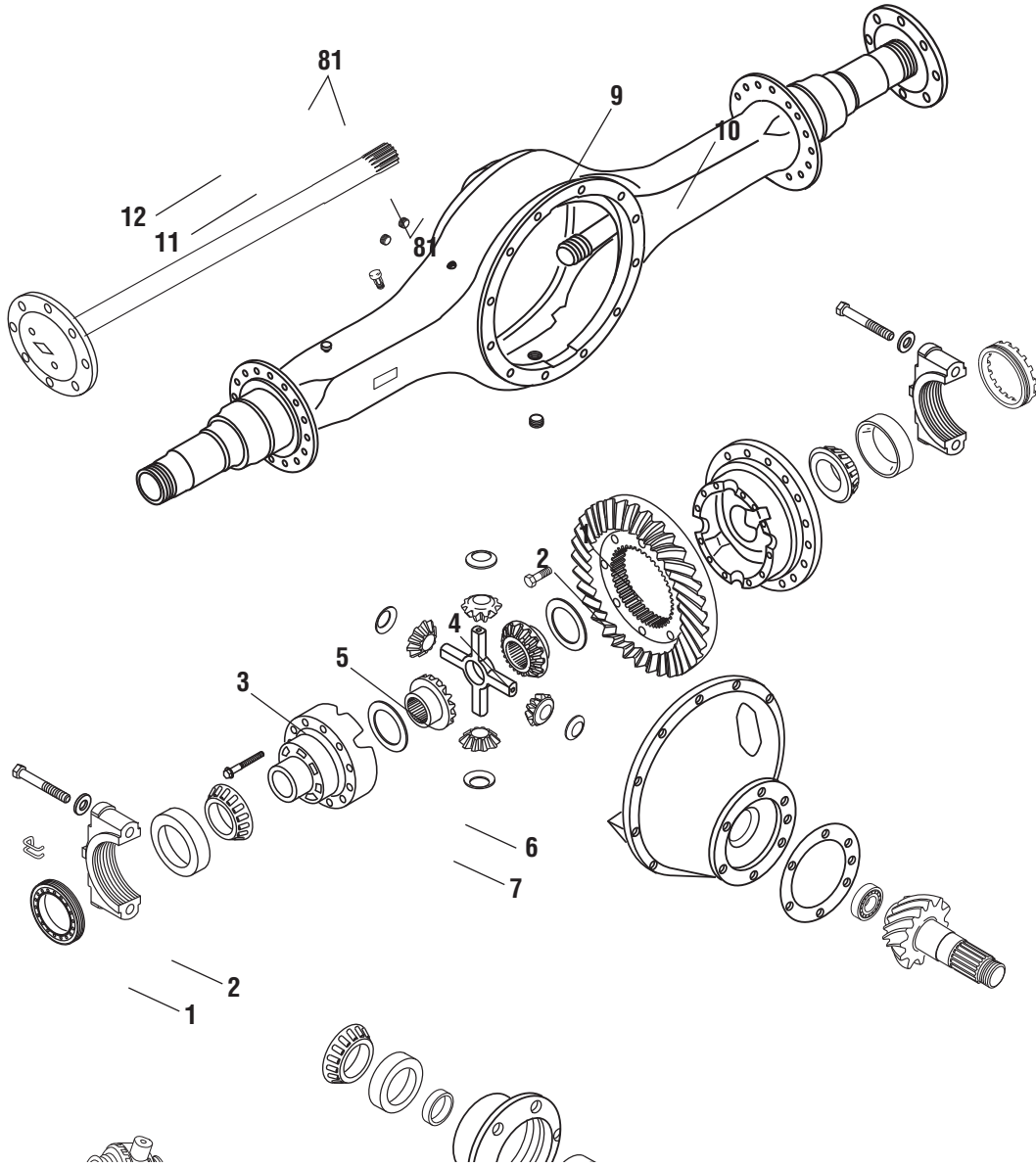
## MERITOR PART NO.

## DESCRIPTION

**Input Shaft and Inter-Axle Differential**

1	1696474C1	<b>M11-1696474</b>	Nut - Input Shaft
2	1665324C1	<b>M11-1665324</b>	Spacer - Input Flange
3	HM807010	<b>HM807010MAF</b>	Bearing Cup - Input Shaft
4	HM807049	<b>HM807049MAF</b>	Bearing Cone - Input Shaft
5	1665308C1	<b>M11-1665308</b>	Gear - Pump Drive
6	1693019C91	<b>M11-1693019</b>	Shaft - Input
7	1665332C1	<b>M11-1665332</b>	Shift Collar
8	1665315C1	<b>M11-1665315</b>	Thrust Washer - Input Shaft
9	B3624	<b>B3624MAF</b>	Needle Bearing - Helical Drive Gear
10	1665309C91	<b>M11-1665309</b>	Helical Drive Gear
11	1665307C91	<b>M11-1665307</b>	Inter-Axle Nest Assembly
12	JLM710949C	<b>JLM710949CMAF</b>	Bearing Cone - IAD - Front
13	JLM710910C	<b>JLM710910CMAF</b>	Bearing Cup - IAD - Front
14	1665306C1	<b>M11-1665306</b>	Oil Pump Cover
15	586045C1	<b>M11-586045</b>	Plug - Housing
16	592534C92	<b>M11-592534</b>	Shift Cylinder
17	586045C1	<b>M11-586045</b>	Plug - Housing
18	19415R1	<b>M11-19415</b>	Roll Pin - Drive Pinion
19	1665324C1	<b>M11-1665324</b>	Spacer - Pinion Nut
20	1665380C1	<b>M11-1665380</b>	Helical Driven Gear
21	72225C	<b>72225CMAF</b>	Bearing Cone - Drive Pinion - Outer/Inner
22	72487	<b>72487MAF</b>	Bearing Cup - Drive Pinion - Outer/Inner
23	393979C1	<b>M11-393979</b>	Spacer - Drive Pinion - .742"
24	1691152C1	<b>M11-1691152</b>	Bolt Kit - Bearing Cage
25	1665303C91	<b>M11-1665303</b>	Bearing Cage with Cups
26	RU1570UM	<b>RU1570UMMAF</b>	Bearing - Drive Pinion Spigot
Not Shown	504131C1	<b>M11-504131</b>	Insert - Shift Fork
Not Shown	378066R1	<b>M11-378066</b>	Retaining Ring
Not Shown	1665331C91	<b>M11-1665331</b>	Shift Fork
Not Shown	1665300C91	<b>M11-1665300</b>	Gear
Not Shown	1665334C1	<b>M11-1665334</b>	Shift Pin

# MAIN DIFFERENTIAL AND OUTPUT SHAFT



## Kits

- M11-DRK-223F

See Kits section for complete BOM.



**ITEM****INDUSTRY PART NO.****MERITOR PART NO.****DESCRIPTION****Main Differential**

1	495	<b>495MAF</b>	Bearing Cone - Differential - Flange Half
2	493	<b>493MAF</b>	Bearing Cup - Differential - Flange Half
3	1696994C91	<b>M11-1696994</b>	Bolt Kit - Ring Gear to Diff Plain Half
4	157494R1	<b>M11-157494</b>	Thrust Washer - Side Gear
5	864356R2	<b>M11-864356</b>	Spider - Differential
6	42GC100	<b>M11-42GC100</b>	Pinion Gear - Differential
7	864360R1	<b>M11-864360</b>	Thrust Washer - Differential
8	A1400	<b>A1400MAF</b>	Bearing - Output Shaft Assembly
9	21003R1	<b>M11-21003R1</b>	O-Ring
Not Shown	A1205N1496	<b>M10-A1205N1496</b>	Seal - Thrushaft

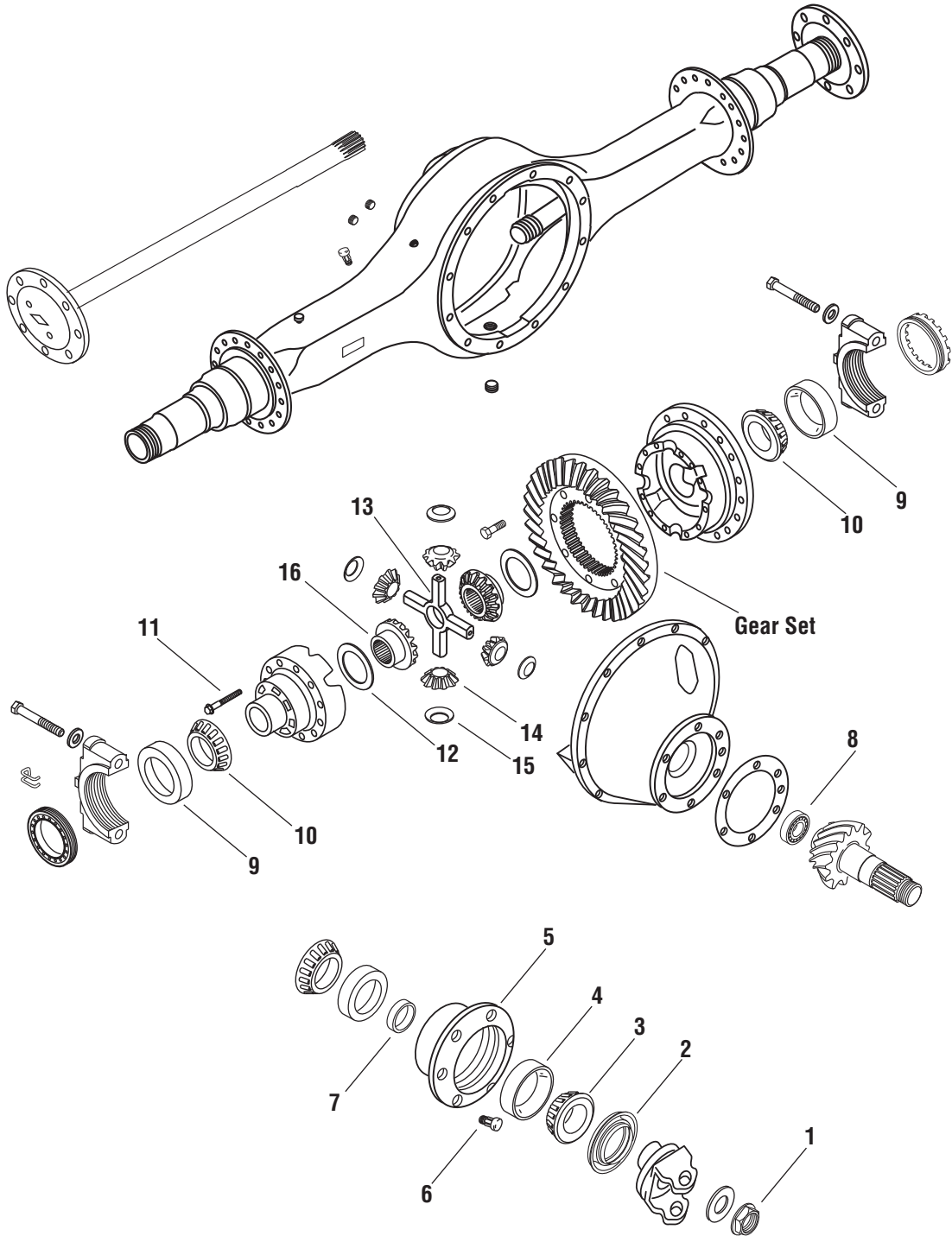
**Output Shaft**

10	586045C1	<b>M11-586045</b>	Plug - Housing
11	26310R1	<b>M11-26310</b>	Bolt - Output Shaft
12	25709R1	<b>M11-25709</b>	Washer - Output Shaft (3/8")

**Gear Sets**

1665336C91	<b>M11-1665336</b>	Ratio 3.21
1665338C91	<b>M11-1665338</b>	Ratio 3.54
1665339C91	<b>M11-1665339</b>	Ratio 3.73
1665340C91	<b>M11-1665340</b>	Ratio 3.91
1665341C91	<b>M11-1665341</b>	Ratio 4.10
1665342C91	<b>M11-1665342</b>	Ratio 4.44
1665350C91	<b>M11-1665350</b>	Ratio 6.14

# COMPLETE ASSEMBLY



### Kits

- M11-DRK-223R

See Kits section for complete BOM.

**Complete Assembly**

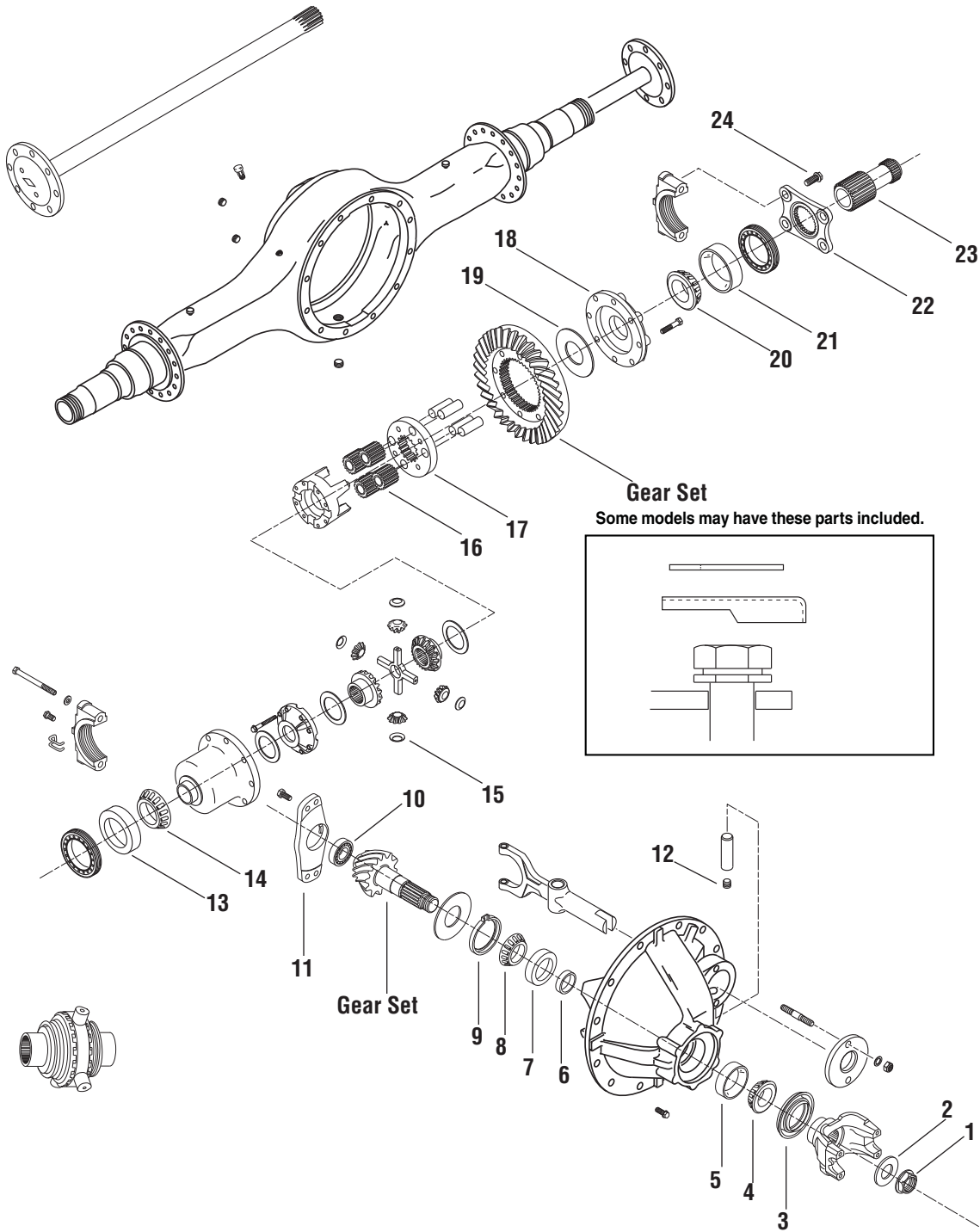
1	1696474C1	<b>M11-1696474</b>	Nut - Input Shaft, Nut - Drive Pinion
2	401HH02	<b>M11-401HH02</b>	Seal - Drive Pinion
3	72225C	<b>72225CMAF</b>	Bearing Cone - Drive Pinion - Outer/Inner
4	72487	<b>72487MAF</b>	Bearing Cup - Drive Pinion - Outer/Inner
5	454719C91	<b>M11-454719</b>	Bearing Cage
6	1691152C1	<b>M11-1691152</b>	Bolt Kit - Bearing Cage
7	393979C1	<b>M11-393979</b>	Spacer - Drive Pinion - .742"
8	RU1570UM	<b>RU1570UMMAF</b>	Bearing - Drive Pinion Spigot
9	495	<b>495MAF</b>	Bearing Cone - Differential - Flange Half
10	493	<b>493MAF</b>	Bearing Cup - Differential - Flange Half
11	1696994C91	<b>M11-1696994</b>	Bolt Kit - Ring Gear to Diff Plain Half
12	157494R1	<b>M11-157494</b>	Thrust Washer - Side Gear
13	864356R2	<b>M11-864356</b>	Spider - Differential
14	42GC100	<b>M11-42GC100</b>	Pinion Gear - Differential
15	864360R1	<b>M11-864360</b>	Thrust Washer - Differential
16	571354C91	<b>M11-571354</b>	Side Gear

**Gear Sets**

1665354C91	<b>M11-1665354</b>	Ratio 3.06
1665355C91	<b>M11-1665355</b>	Ratio 3.21
1665357C91	<b>M11-1665357</b>	Ratio 3.54
1665358C91	<b>M11-1665358</b>	Ratio 3.73
1665359C91	<b>M11-1665359</b>	Ratio 3.91
1665360C91	<b>M11-1665360</b>	Ratio 4.10
1665361C91	<b>M11-1665361</b>	Ratio 4.44
1665363C91	<b>M11-1665363</b>	Ratio 4.78
1665367C91	<b>M11-1665367</b>	Ratio 5.38
1665368C91	<b>M11-1665368</b>	Ratio 5.63
1665369C91	<b>M11-1665369</b>	Ratio 6.14
1665371C91	<b>M11-1665371</b>	Ratio 7.17

# COMPLETE ASSEMBLY

M190 - M200T



## Kits

- M11-DRK -214

See Kits section for complete BOM.

**Complete Assembly**

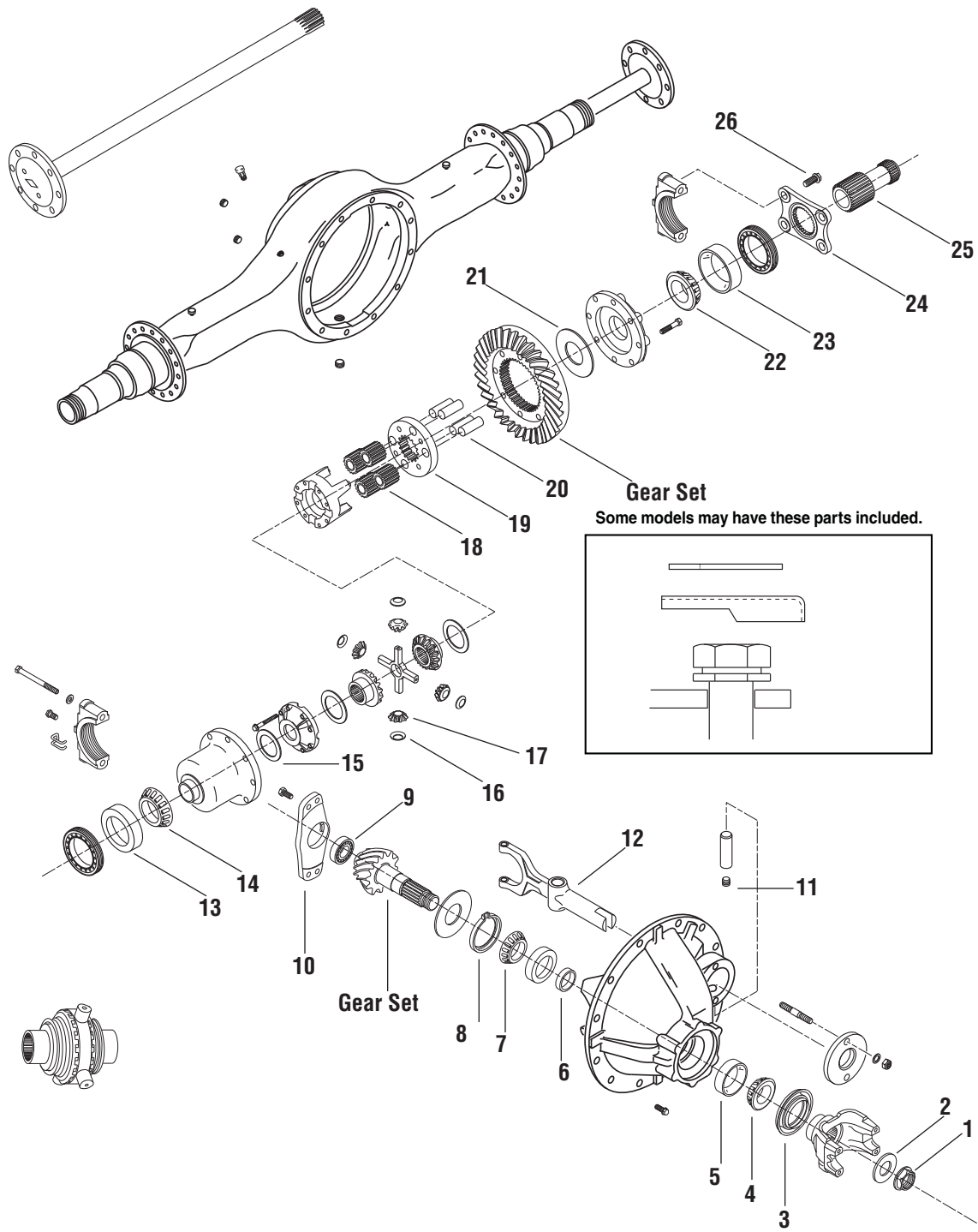
1	1696471C1	<b>M11-1696471</b>	Nut - Ring Gear to Diff Plain Half
2	597194C1	<b>M11-597194</b>	Washer - Drive Pinion
3	597147C1	<b>M11-597147</b>	Oil Seal - Drive Pinion
4	55200C	<b>55200CMAF</b>	Bearing Cone - Drive Pinion - Outer
5	55437	<b>55437MAF</b>	Bearing Cup - Drive Pinion - Outer
6	597185C91	<b>M11-597185</b>	Shim Kit - Drive Pinion
7	72487	<b>72487MAF</b>	Bearing Cup - Drive Pinion - Inner
8	72225C	<b>72225CMAF</b>	Bearing Cone - Drive Pinion - Inner
9	597148C1	<b>M11-597148</b>	Oil Seal - Drive Pinion
10	MUB1308UM	<b>MUS1308UMMAF</b>	Bearing - Drive Pinion Spigot
11	597150C1	<b>597150C1MAF</b>	Bearing Cap - Drive Pinion Spigot
12	597176C1	<b>M11-597176</b>	Set Screw - Shift Fork
13	JM716610	<b>JM716610MAF</b>	Bearing Cup - Differential - Flange Half
14	JM716649	<b>JM716649MAF</b>	Bearing Cone - Differential - Flange Half
15	597110C1	<b>M11-597110</b>	Thrust Washer - Differential
16	597155C1	<b>M11-597155</b>	Planet Gear
17	597169C1	<b>M11-597169</b>	Mounting Plate - Planet Gear
18	597167C1	<b>M11-597167</b>	Shaft - Planet Gear
19	597165C1	<b>M11-597165</b>	Thrust Plate - Differential
20	JM822049	<b>JM822049MAF</b>	Bearing Cone - Differential - Plain Half
21	JM822010	<b>JM822010MAF</b>	Bearing Cup - Differential - Plain Half
22	597173C1	<b>M11-597173</b>	Retainer Plate - Sun Gear
23	597171C1	<b>M11-597171</b>	Sun Gear
24	1691251C1	<b>M11-1691251</b>	Bolt Kit - Sun Gear
Not Shown	597174C1	<b>M11-597174</b>	Roller Pin - Shift Fork

**Gear Sets**

597137C91	<b>M11-597137</b>	Ratio 4.56
597138C91	<b>M11-597138</b>	Ratio 4.89
597139C91	<b>M11-597139</b>	Ratio 5.29
597140C91	<b>M11-597140</b>	Ratio 5.57



# COMPLETE ASSEMBLY



G175T

**Complete Assembly**

1	1696471C1	<b>M11-1696471</b>	Nut - Ring Gear to Diff Plain Half
2	597194C1	<b>M11-597194</b>	Washer - Drive Pinion
3	GGAHH109	<b>M11-GGAHH109</b>	Seal - Drive Pinion
4, 7	55200C	<b>55200CMAF</b>	Bearing Cone - Drive Pinion - Outer/Inner
5	55437	<b>55437MAF</b>	Bearing Cup - Drive Pinion - Outer
6	597184C91	<b>M11-597184</b>	Shim Kit - Drive Pinion
8	597148C1	<b>M11-597148</b>	Oil Seal - Drive Pinion
9	MUSB1307BUM	<b>MUS1307BUMMAF</b>	Bearing - Drive Pinion Spigot
10	597149C1	<b>M11-597149</b>	Bearing Cap - Drive Pinion Spigot
11	597176C1	<b>M11-597176</b>	Set Screw - Shift Fork
12	597179C91	<b>M11-597179</b>	Shift Fork Assembly
13	493	<b>493MAF</b>	Bearing Cup - Differential - Flange Half
14	495	<b>495MAF</b>	Bearing Cone - Differential - Flange Half
15	597107C1	<b>M11-597107</b>	Thrust Washer - Side Gear
16	597109C1	<b>M11-597109</b>	Thrust Washer - Differential
17	GGADG101	<b>M11-GGADG101</b>	Pinion Gear - Differential
18	597156C1	<b>M11-597156</b>	Planet Gear
19	597168C1	<b>M11-597168</b>	Mounting Plate - Planet Gear
20	597166C1	<b>M11-597166</b>	Shaft - Planet Gear
21	597164C1	<b>M11-597164</b>	Thrust Plate - Differential
22	42381	<b>42381MAF</b>	Bearing Cone - Differential - Plain Half
23	42584	<b>42584MAF</b>	Bearing Cup - Differential - Plain Half
24	597172C1	<b>M11-597172</b>	Retainer Plate - Sun Gear
25	597170C1	<b>M11-597170</b>	Sun Gear
26	1691251C1	<b>M11-1691251</b>	Bolt Kit - Sun Gear
Not Shown	597174C1	<b>M11-597174</b>	Roller Pin - Shift Fork

**Gear Sets**

573551C91	<b>M11-573551</b>	Ratio 4.56
597132C91	<b>M11-597132</b>	Ratio 4.89
597133C91	<b>M11-597133</b>	Ratio 5.57
597135C91	<b>M11-597135</b>	Ratio 6.50



## ITEM

## INDUSTRY PART NO.

## MERITOR PART NO.

## DESCRIPTION

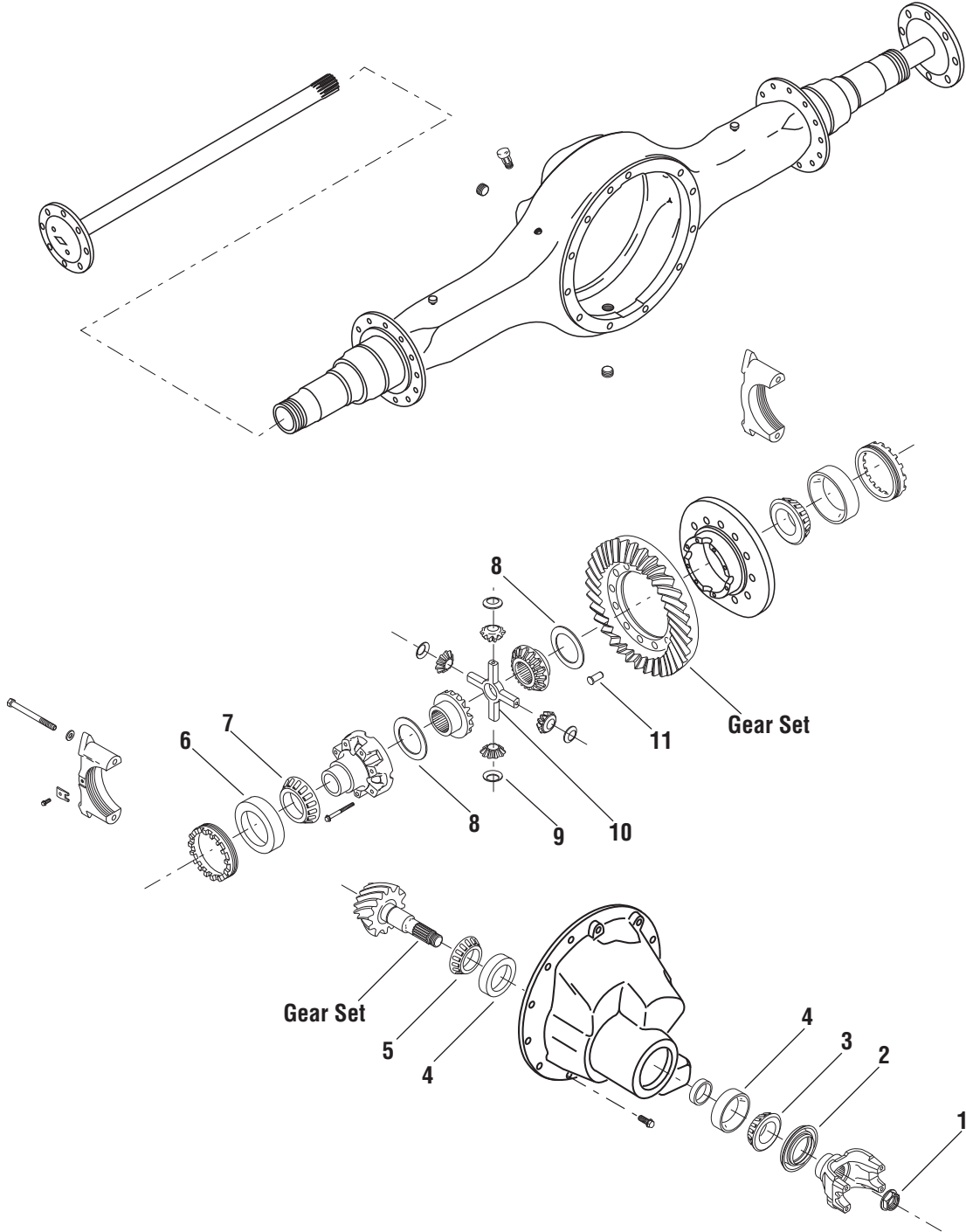
**Complete Assembly**

1	MUB5206UM	<b>MUB5206UMMAF</b>	Bearing - Drive Pinion Spigot
2	55175C	<b>55175CMAF</b>	Bearing Cone - Drive Pinion - Outer/Inner
3	55437	<b>55437MAF</b>	Bearing Cup - Drive Pinion - Outer
4	1691152C1	<b>M11-1691152</b>	Bolt Kit - Bearing Cage
5	H506825	<b>M11-H506825</b>	Oil Seal - Drive Pinion
6	3925	<b>3925MAF</b>	Bearing Cup - Differential - Plain/Flange Half
7	3984	<b>3984MAF</b>	Bearing Cone - Differential - Plain/Flange Half
8	86233H	<b>M11-86233H</b>	Thrust Washer - Side Gear
9	241278R1	<b>M11-241278</b>	Thrust Washer - Differential
10	1671760C1	<b>M11-1671760</b>	Nut - Ring Gear
11	241281R1	<b>M11-241281</b>	Case - Differential Plain Half
12	1696994C91	<b>M11-1696994</b>	Bolt Kit - Ring Gear to Diff Plain Half
13	GGAHH106	<b>M11-GGAHH106</b>	Seal - Drive Pinion

**Gear Sets (RA29 only)**

14	1658852C91	<b>M11-1658852</b>	Ratio 4.33
	1654873C91	<b>M11-1654873</b>	Ratio 6.50

# COMPLETE ASSEMBLY



**Kits**

- M11-DRK-414

See Kits section for complete BOM.



## ITEM

## INDUSTRY PART NO.

## MERITOR PART NO.

## DESCRIPTION

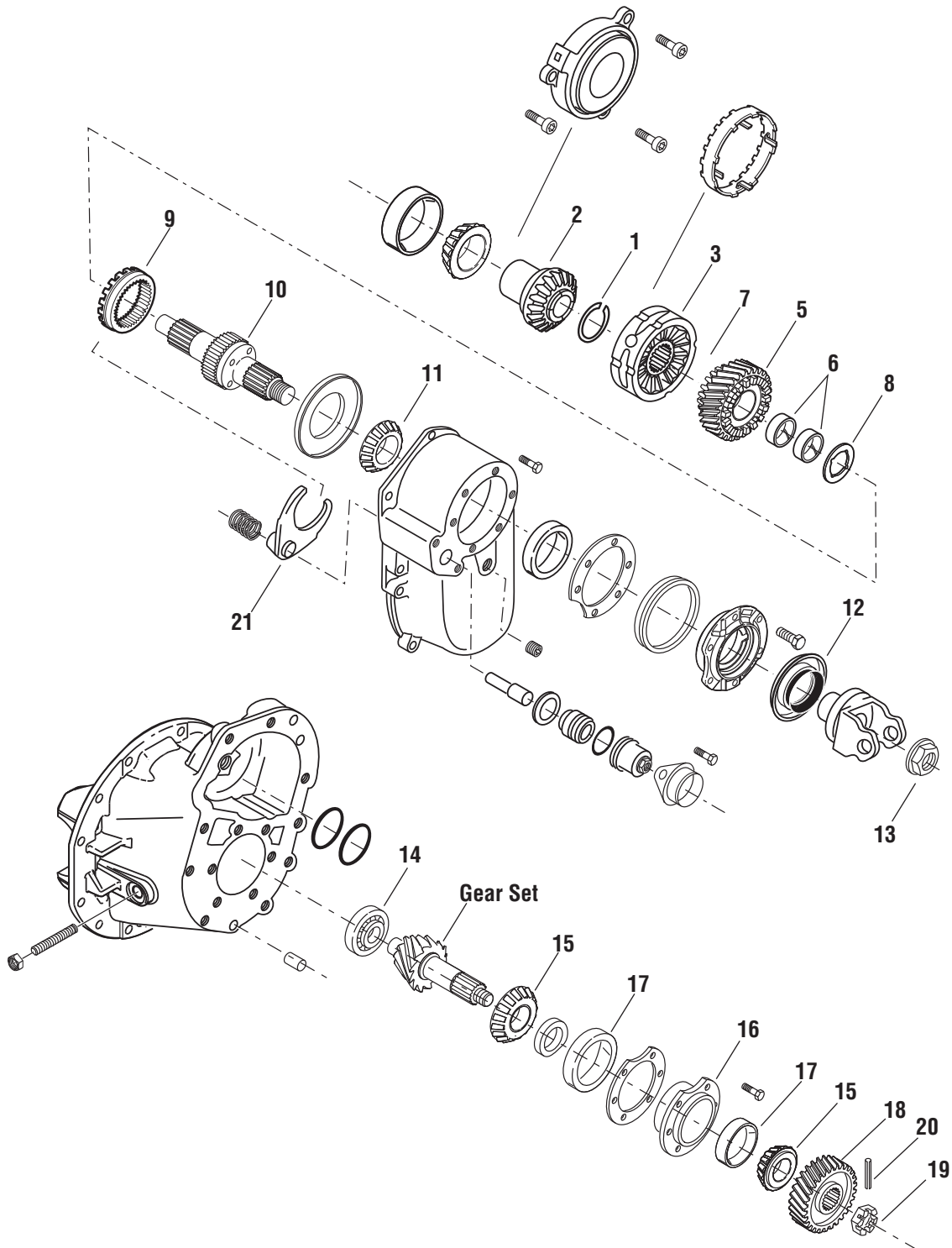
**Complete Assembly**

1	1696471C1	<b>M11-1696471</b>	Nut - Ring Gear to Diff Plain Half
2	O29HH100	<b>M11-029HH100</b>	Oil Seal - Drive Pinion
3	55175C	<b>55175CMAF</b>	Bearing Cone - Drive Pinion - Outer/Inner
4	Bearing Cup		
	• 72487	<b>72487MAF</b>	Drive Pinion - Outer
	• 55437	<b>55437MAF</b>	Drive Pinion - Inner
5	72225C	<b>72225CMAF</b>	Bearing Cone - Drive Pinion - Outer/Inner
6	3920	<b>3920MAF</b>	Bearing Cup - Differential - Plain/Flange Half
7	3984	<b>3984MAF</b>	Bearing Cone - Differential - Plain/Flange Half
8	86233H	<b>M11-86233H</b>	Thrust Washer - Side Gear
9	463413C1	<b>M11-463413</b>	Thrust Washer - IAD, Thrust Washer - Differential
10	463412C1	<b>M11-463412</b>	Spider - IAD; Spider - Differential
11	1696994C91	<b>M11-1696994</b>	Bolt Kit - Ring Gear to Diff Plain Half

**Gear Sets**

1697148C91	<b>M11-1697148</b>	Ratio 3.07
1697149C91	<b>M11-1697149</b>	Ratio 3.21
1697150C91	<b>M11-1697150</b>	Ratio 3.38
1697151C91	<b>M11-1697151</b>	Ratio 3.54
1697152C91	<b>M11-1697152</b>	Ratio 3.73
1697154C91	<b>M11-1697154</b>	Ratio 4.10
1697156C91	<b>M11-1697156</b>	Ratio 4.78
1697159C91	<b>M11-1697159</b>	Ratio 6.43
1697160C91	<b>M11-1697160</b>	Ratio 7.17

# INPUT SHAFT AND INTER-AXLE DIFFERENTIAL



## Kits

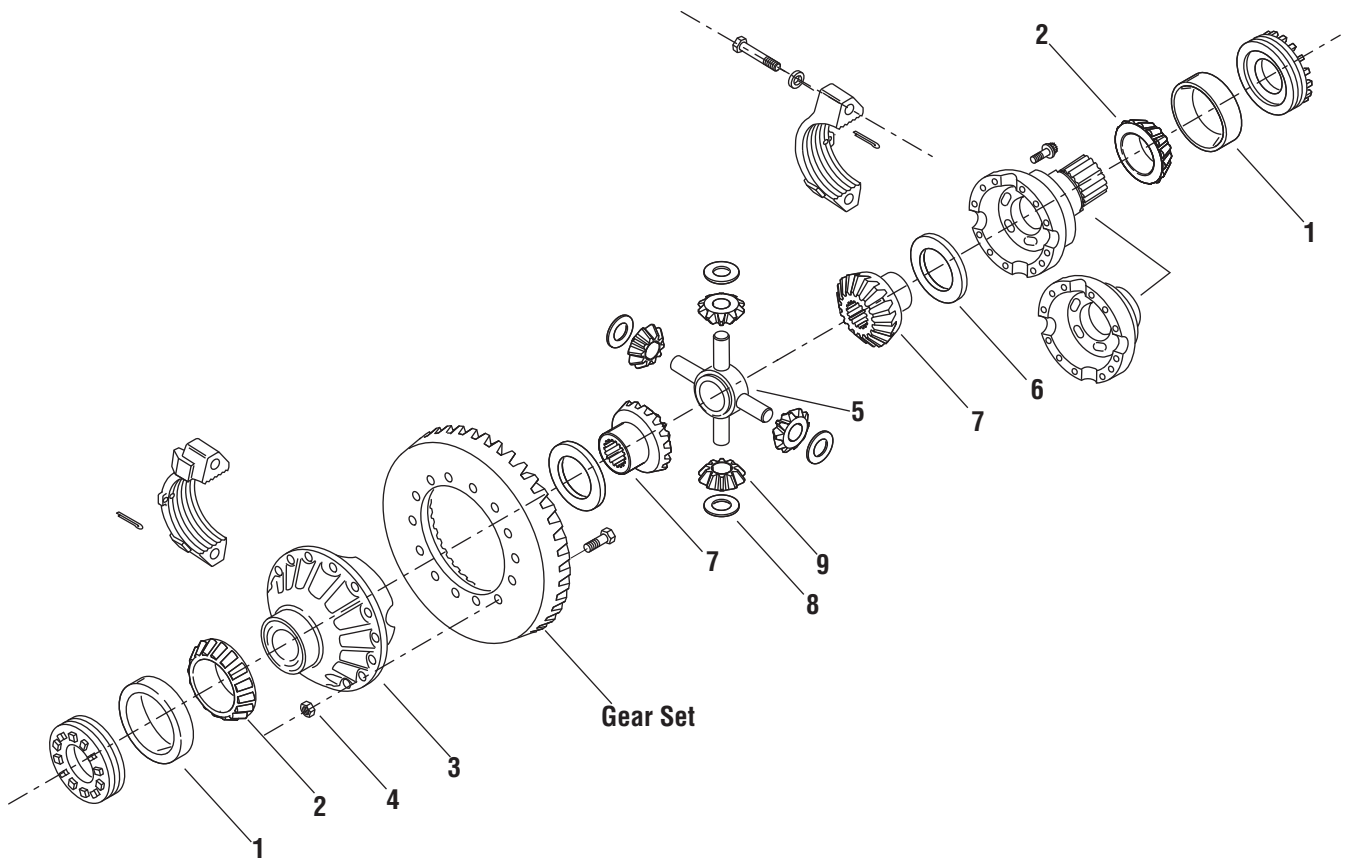
- M12-DRK -196 — Before 4/6/89 & After 1/1/95
- M12-DRK-222F — 4/6/89 thru 12/31/94

See Kits section for complete BOM.

### Input Shaft and Inter-Axle Differential

1	85994	<b>M12-85994</b>	Snap Ring - IAD Side Gear
2	110810	<b>M12-110810</b>	Side Gear - IAD - Rear
3	IAD Assembly		
	• 213608	<b>M12-213608</b>	IAD Assembly - with Lube
	• 95214	<b>M12-95214</b>	Pinion Gear - IAD
	• 95215	<b>M12-95215</b>	Bushing - IAD Spider
	• 85437	<b>M12-85437</b>	Thrust Washer - IAD w/o Lube
	• 127785	<b>M12-127785</b>	Thrust Washer - IAD with Lube
	• 95216	<b>M12-95216</b>	Spider - IAD w/o Lube
	• 127783	<b>M12-127783</b>	Spider - IAD with Lube
5	128042	<b>M12-128042</b>	Helical Drive Gear
6	85991	<b>M12-85991</b>	Bushing - Helical Drive Gear
7	85997	<b>M12-85997</b>	Snap Ring - IAD
8	45478	<b>M12-45478</b>	Washer - Helical Drive Gear
9	128016	<b>M12-128016</b>	Sliding Clutch
10	115122	<b>M12-115122</b>	Input Shaft Kit - w/o Lube
11	3979	<b>3979MAF</b>	Bearing Cone - Input Shaft
12	127719	<b>M12-127719</b>	Oil Seal - Input Shaft
13	Nut		
	• 128049	<b>M12-128049</b>	Input Shaft (built after 4/89)
	• 95207	<b>M12-95207</b>	Input Shaft (built before 4/89)
14	MUSB7307UM	<b>MUSB7307UMMAF</b>	Bearing Drive Pinion Spigot
15	Bearing Cone		
	• 72218C	<b>72218CMAF</b>	Drive Pinion - Inner
	• HM807049	<b>HM807049MAF</b>	Drive Pinion - Outer
16	110731	<b>M12-110731</b>	Bearing Cage with Cups
17	Bearing Cup		
	• 72487	<b>72487MAF</b>	Drive Pinion - Inner
	• HM807010	<b>HM807010MAF</b>	Drive Pinion - Outer
18	110845	<b>M12-110845</b>	Helical Driven Gear
19	126182	<b>M12-126182</b>	Nut - Drive Pinion
20	118807	<b>M12-118807</b>	Roll Pin - Drive Pinion
21	96715	<b>M12-96715</b>	Shift Fork - No Pump
Not Shown	51238	<b>M12-51238</b>	Spring - IAD
Not Shown	51228	<b>51228MAF</b>	Thrust Bearing - Output Shaft Spring
Not Shown	79363	<b>M12-79363</b>	Bolt - Cover

# MAIN DIFFERENTIAL



## Kits

- M12-DRK -196 — Before 4/6/89 & After 1/1/95
- M12-DRK-222F — 4/6/89 thru 12/31/94

See Kits section for complete BOM.

## ITEM

## INDUSTRY PART NO.

## MERITOR PART NO.

## DESCRIPTION

**Main Differential**

1	Bearing Cup		
	• 563	<b>563MAF</b>	Differential - Flange Half
	• 493	<b>493MAF</b>	Differential - Plain Half
2	Bearing Cone		
	• 567	<b>567MAF</b>	Differential - Flange Half
	• 497	<b>497MAF</b>	Differential - Plain Half
3	210017	<b>M12-210017</b>	Case - Differential Plain Half
4	70745	<b>M12-70745</b>	Bolt Kit - Ring Gear to Diff Plain Half
5	38289	<b>M12-38289</b>	Spider - Differential
6	Thrust Washer		
	• 127386	<b>M12-127386</b>	Side Gear
	• 27827	<b>M12-27827</b>	Side Gear
7	110527	<b>M12-110527</b>	Side Gear - Differential
8	27810	<b>M12-27810</b>	Thrust Washer - Differential
9	104139	<b>M12-104139</b>	Pinion Gear - Differential

**Oil Pump (not shown)**

90419	<b>M12-90419</b>	Lock Washer - Pump
-------	------------------	--------------------

**Output Shaft (not shown)**

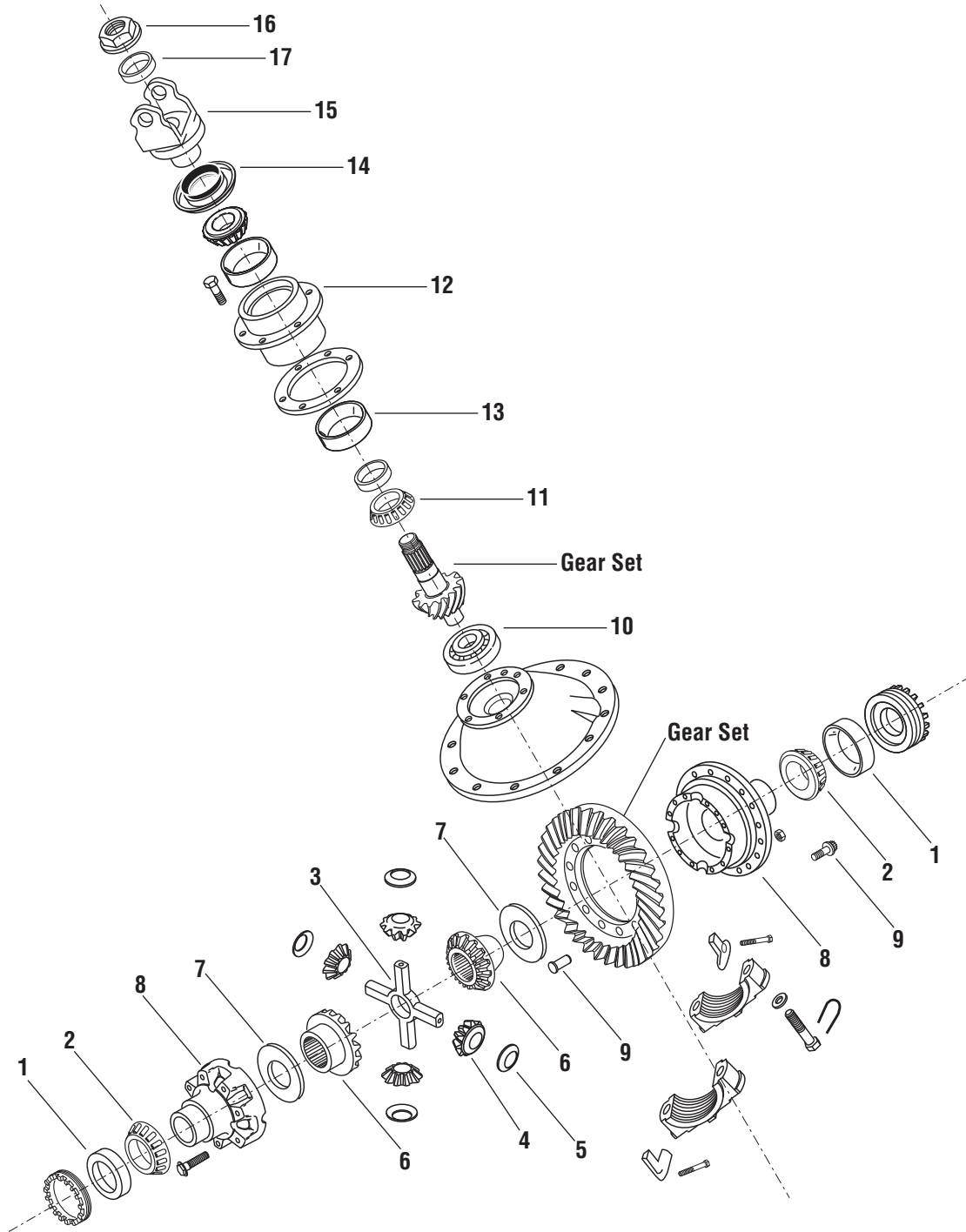
127589	<b>M12-127589</b>	Nut - Output Shaft
95205	<b>M12-95205</b>	Nut - Output Shaft
MA1209EL	<b>MA1209ELMAF</b>	Bearing - Output Shaft
115123	<b>M12-115123</b>	Shaft - Output
48922	<b>M12-48922</b>	Bushing - Output Shaft
46526	<b>M12-46526</b>	O-Ring - Output Shaft
85429	<b>M12-85429</b>	Washer - Output Shaft
29620	<b>29620MAF</b>	Bearing Cup - Output Shaft
29675	<b>29675MAF</b>	Bearing Cone - Output Shaft

**Gear Sets**

217982	<b>M12-217982</b>	Ratio 3.70
217984	<b>M12-217984</b>	Ratio 4.11
217981	<b>M12-217981</b>	Ratio 3.55
217983	<b>M12-217983</b>	Ratio 3.90
127265	<b>M12-127265</b>	Ratio 3.36
127271	<b>M12-127271</b>	Ratio 4.56
217985	<b>M12-217985</b>	Ratio 4.33
217980	<b>M12-217980</b>	Ratio 3.36
127266	<b>M12-127266</b>	Ratio 3.55



# COMPLETE ASSEMBLY



## Kits

- M12-DRK -1A — Before 4/6/89 & After 1/1/95
- M12-DRK-222R — 4/6/89 thru 12/31/94

See Kits section for complete BOM.

## Complete Assembly

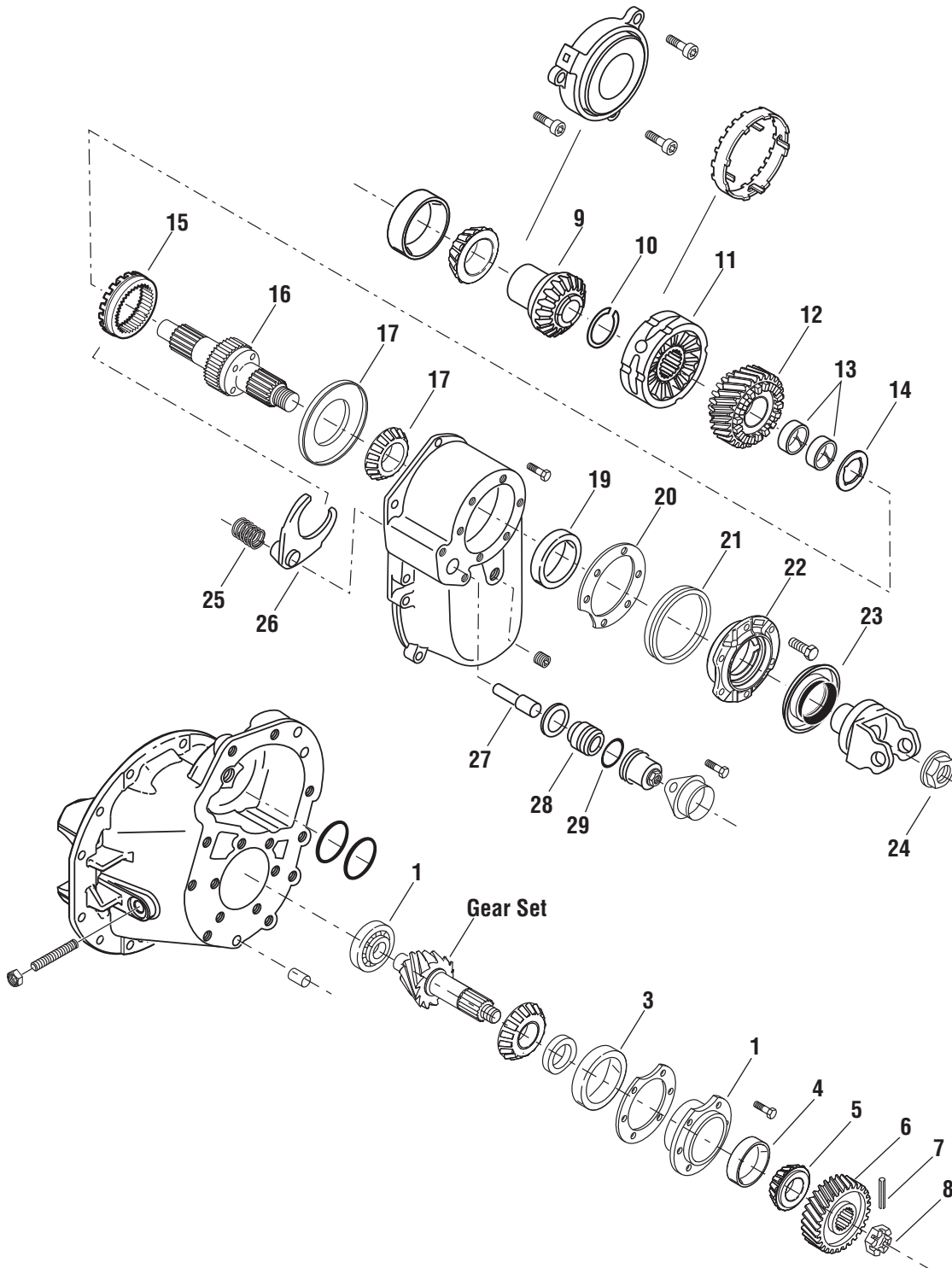
1	Bearing Cup		
	• 563	<b>563MAF</b>	Differential - Flange Half
	• 493	<b>493MAF</b>	Differential - Plain Half
2	Bearing Cone		
	• 567	<b>567MAF</b>	Differential - Flange Half
	• 497	<b>497MAF</b>	Differential - Plain Half
3	38289	<b>M12-38289</b>	Spider - Differential
4	104139	<b>M12-104139</b>	Pinion Gear - Differential
5	27810	<b>M12-27810</b>	Thrust Washer - Differential
6	110527	<b>M12-110527</b>	Side Gear - Differential
7	127386	<b>M12-127386</b>	Thrust Washer - Side Gear
8	210017	<b>M12-210017</b>	Case - Differential Plain Half
9	70745	<b>M12-70745</b>	Bolt Kit - Ring Gear to Diff Plain Half
10	Bearing		
	• MUS1307BUM	<b>MUS1307BUMMAF</b>	Drive Pinion Spigot (built before 4/89 & after 12/94)
	• MUSB7307UM	<b>MUSB7307UMMAF</b>	Drive Pinion Spigot (built 4/89 - 12/94)
11	Bearing Cone		
	• 72200C	<b>72200CMAF</b>	Drive Pinion - Inner
	• 55200C	<b>55200CMAF</b>	Drive Pinion - Outer
12	Bearing Cage with Cups		
	• 75110	<b>M12-75110</b>	Bearing Cage with Cups (ratios: 3.08, 3.25, 3.36, 3.90 - 7.17)
	• 75108	<b>M12-75108</b>	Bearing Cage with Cups (ratios: 3.55 and 3.70)
13	Bearing Cup		
	• 72487	<b>72487MAF</b>	Drive Pinion - Inner
	• 55437	<b>55437MAF</b>	Drive Pinion - Outer
14	127721	<b>M12-127721</b>	Oil Seal - Drive Pinion
15	129169	<b>M12-129169</b>	Spacer - Yoke
16	95206	<b>M12-95206</b>	Nut - Drive Pinion
17	56864	<b>M12-56864</b>	Washer - Drive Pinion

## Gear Sets

218004	<b>M12-218004</b>	Ratio 5.29
217998	<b>M12-217998</b>	Ratio 3.70
218000	<b>M12-218000</b>	Ratio 4.11
217997	<b>M12-217997</b>	Ratio 3.55
217996	<b>M12-217996</b>	Ratio 3.36
218002	<b>M12-218002</b>	Ratio 4.56
218001	<b>M12-218001</b>	Ratio 4.33
218005	<b>M12-218005</b>	Ratio 5.57

# INPUT SHAFT AND INTER-AXLE DIFFERENTIAL

DS404 - 344



## Kits

- M12-DRK -404F

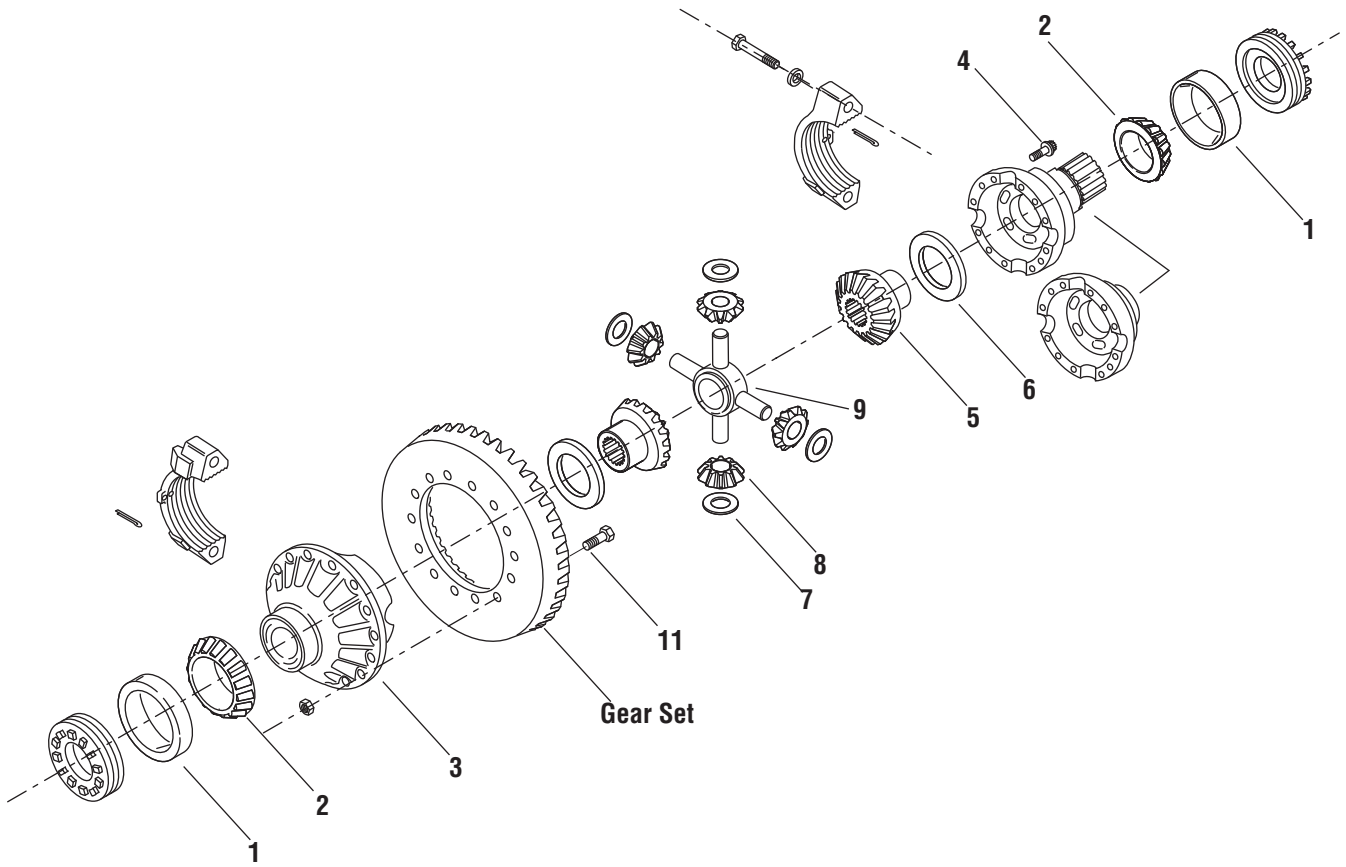
See Kits section for complete BOM.

### Input Shaft and Inter-Axle Differential

1	MUB1307UM	<b>MUB1307UMMAF</b>	Bearing - Drive Pinion Spigot
2	129575	<b>M12-129575</b>	Bearing Cage with Cups
3	72487	<b>72487MAF</b>	Bearing Cup - Drive Pinion - Inner
4	55437	<b>55437MAF</b>	Bearing Cup - Drive Pinion - Outer
5	Bearing Cone		
	• 72218C	<b>72218CMAF</b>	Drive Pinion - Inner
	• 55212C	<b>55212CMAF</b>	Drive Pinion - Outer
6	127523	<b>M12-127523</b>	Helical Drive Gear
7	118807	<b>M12-118807</b>	Roll Pin - Drive Pinion
8	126182	<b>M12-126182</b>	Nut - Drive Pinion
9	127645	<b>M12-127645</b>	Side Gear - IAD - Rear
10	85997	<b>M12-85997</b>	Snap Ring - IAD
11	128634	<b>M12-128634</b>	Inter-Axle Nest Assembly
12	127495	<b>M12-127495</b>	Helical Drive Gear
13	129371	<b>M12-129371</b>	Bushing - Helical Drive Gear
14	128702	<b>M12-128702</b>	Thrust Washer - Helical Drive Gear
15	127510	<b>M12-127510</b>	Sliding Clutch
16	216226	<b>M12-216226</b>	Input Shaft Kit
17	128700	<b>M12-128700</b>	Oil Retainer
18	552A	<b>552AMAF</b>	Bearing Cone - Input Shaft
19	555S	<b>555SMAF</b>	Bearing Cup - Input Shaft
20	127592	<b>M12-127592</b>	Seal - Thrushaft
20	Shim		
	• 127596	<b>M12-127596</b>	IAD - 0.005"
	• 127597	<b>M12-127597</b>	IAD - 0.010"
	• 127598	<b>M12-127598</b>	IAD - 0.020"
	• 127599	<b>M12-127599</b>	IAD - 0.030"
21	401300	<b>M12-401300</b>	Oil Seal - V Ring - Input Shaft
22	127602	<b>M12-127602</b>	Cover - Input Shaft
23	127591	<b>M12-127591</b>	Oil Seal - Input Shaft
24	128049	<b>M12-128049</b>	Nut - Input Shaft
25	127474	<b>M12-127474</b>	Spring - Shifter
26	129783	<b>M12-129783</b>	Shift Fork Assembly
27	129583	<b>M12-129583</b>	Push Rod Assembly
28	129580	<b>M12-129580</b>	Piston
29	210180	<b>M12-210180</b>	O-Ring - Shifter
Not Shown	504118	<b>504118MAF</b>	Bearing Kit - Shifter
Not Shown	129577	<b>M12-129577</b>	Oil Trough
Not Shown	129579	<b>M12-129579</b>	O-Ring
Not Shown	129573	<b>M12-129573</b>	Piston Cover
Not Shown	510870	<b>M12-510870</b>	Shift Fork Kit
Not Shown	507494	<b>M12-507494</b>	Shifter Housing

# MAIN DIFFERENTIAL

DS404 - 344



## Kits

- M12-DRK -404F

See Kits section for complete BOM.



**Main Differential**

1	Bearing Cup		
	• 563	<b>563MAF</b>	Differential - Flange Half
	• 493	<b>493MAF</b>	Differential - Plain Half
2	Bearing Cone		
	• 567	<b>567MAF</b>	Differential - Flange Half
	• 497	<b>497MAF</b>	Differential - Plain Half
3	Case - Differential Flange Half		
	• 508653	<b>M12-508653</b>	Ratios 2.64 to 3.25
	• 508654	<b>M12-508654</b>	Ratios 3.36 to 3.90
	• 508655	<b>M12-508655</b>	Ratios 4.11 to 4.88
	• 508656	<b>M12-508656</b>	Ratios 5.29 to 7.17
4	127465	<b>M12-127465</b>	Bolt Kit - Differential Case
5	127368	<b>M12-127368</b>	Side Gear - Differential 41 Inv. Spline (404 Models Only)
6	127386	<b>M12-127386</b>	Thrust Washer - Side Gear
7	129305	<b>M12-129305</b>	Thrust Washer - Differential
8	Pinion Gear		
	• 127364	<b>M12-127364</b>	Differential
	• 133761	<b>M12-133761</b>	Differential
9	127359	<b>M12-127359</b>	Spider - Differential
10, 11	508652	<b>M12-508652</b>	Bolt Kit - Ring Gear to Diff Flange Half

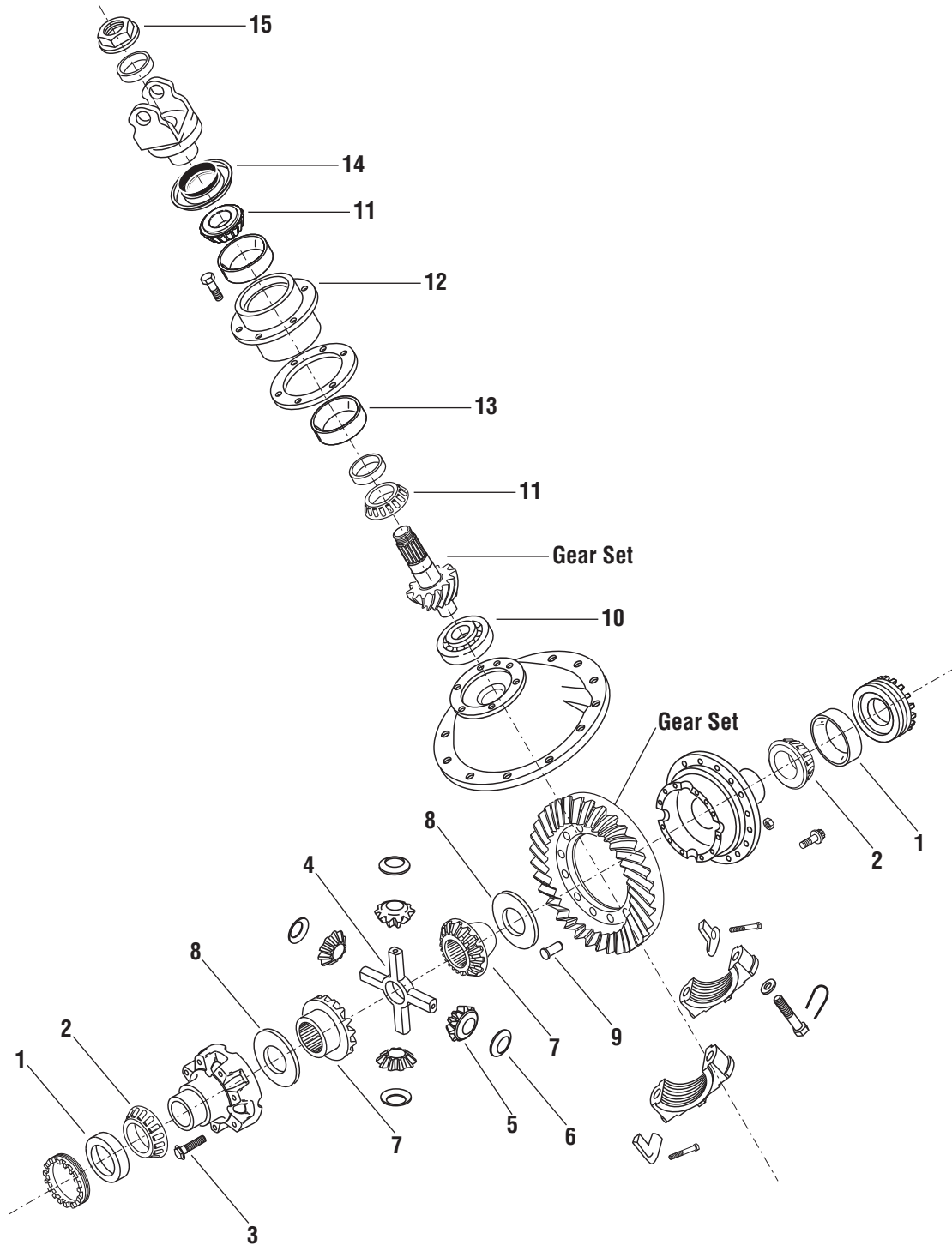
**Output Shaft (not shown)**

12	29630	<b>29630MAF</b>	Bearing Cup - Output Shaft
13	127545	<b>M12-127545</b>	O-Ring - Output Shaft
14	29675	<b>29675MAF</b>	Bearing Cone - Output Shaft

**Gear Sets**

211462	<b>M12-211462</b>	Ratio 2.64
211463	<b>M12-211463</b>	Ratio 2.85
211477	<b>M12-211477</b>	Ratio 6.5
211467	<b>M12-211467</b>	Ratio 3.55
211468	<b>M12-211468</b>	Ratio 3.7
211469	<b>M12-211469</b>	Ratio 3.9
211472	<b>M12-211472</b>	Ratio 4.63
211470	<b>M12-211470</b>	Ratio 4.11
211466	<b>M12-211466</b>	Ratio 3.36
211475	<b>M12-211475</b>	Ratio 5.57
211471	<b>M12-211471</b>	Ratio 4.33
211473	<b>M12-211473</b>	Ratio 4.88
211474	<b>M12-211474</b>	Ratio 5.29
211465	<b>M12-211465</b>	Ratio 3.25
211476	<b>M12-211476</b>	Ratio 6.17

# COMPLETE ASSEMBLY



## Kits

- M12-DRK -404R

See Kits section for complete BOM.

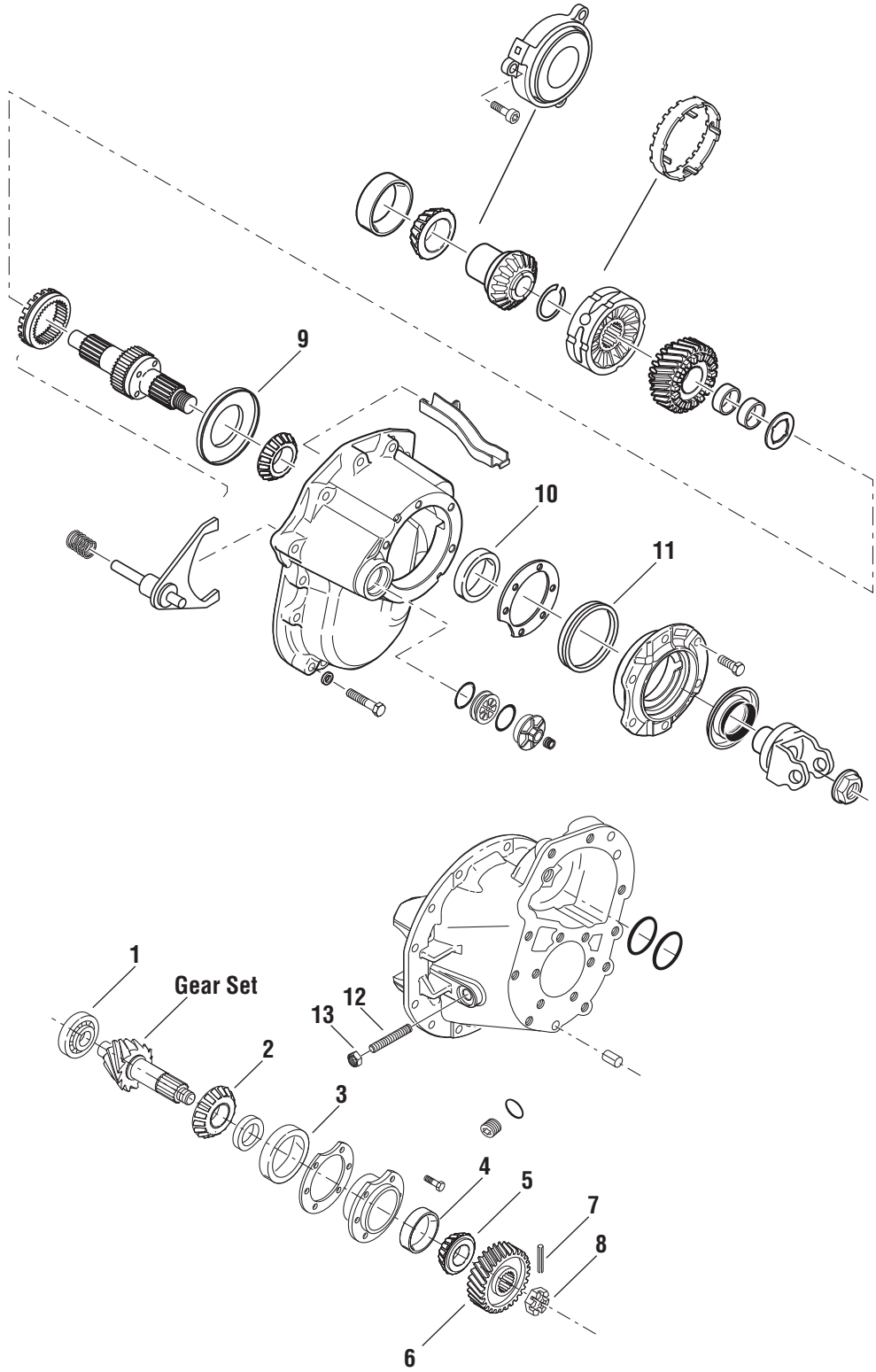
**Complete Assembly**

1	Bearing Cup		
	• 563	<b>563MAF</b>	Differential - Flange Half
	• 493	<b>493MAF</b>	Differential - Plain Half
2	Bearing Cone		
	• 567	<b>567MAF</b>	Differential - Flange Half
	• 497	<b>497MAF</b>	Differential - Plain Half
3	127465	<b>M12-127465</b>	Bolt Kit - Differential Case
4	127359	<b>M12-127359</b>	Spider - Differential (RS404 and 19060S only)
5	127364	<b>M12-127364</b>	Pinion Gear - Differential
6	129305	<b>M12-129305</b>	Thrust Washer - Differential
7	Side Gear		
	• 127368	<b>M12-127368</b>	Differential 41 Inv. Spline
	• 127367	<b>M12-127367</b>	Differential 39 Inv. Spline (RS344 and 19060S only)
8	127386	<b>M12-127386</b>	Thrust Washer - Side Gear
9	508652	<b>M12-508652</b>	Bolt Kit - Ring Gear to Diff Flange Half
10	MUB7307UM	<b>MUB7307UMMAF</b>	Bearing - Drive Pinion Spigot
11	Bearing Cone		
	• 55200C	<b>55200CMAF</b>	Drive Pinion - Inner
	• 72212C	<b>72212CMAF</b>	Drive Pinion - Outer
12	129768	<b>M12-129768</b>	Bearing Cage with Cups (RS404 & RS344 only)
13	Bearing Cup		
	• 72487	<b>72487MAF</b>	Drive Pinion - Inner
	• 55437	<b>55437MAF</b>	Drive Pinion - Outer
14	127591	<b>M12-127591</b>	Oil Seal - Input Shaft; Oil Seal - Drive Pinion
15	127589	<b>M12-127589</b>	Nut - Output Shaft; Nut - Drive Pinion

**Gear Sets**

211494	<b>M12-211494</b>	Ratio 7.17
211493	<b>M12-211493</b>	Ratio 6.50
211478	<b>M12-211478</b>	Ratio 2.64
211483	<b>M12-211483</b>	Ratio 3.55
211484	<b>M12-211484</b>	Ratio 3.70
211485	<b>M12-211485</b>	Ratio 3.90
211486	<b>M12-211486</b>	Ratio 4.11
211492	<b>M12-211492</b>	Ratio 6.17
211491	<b>M12-211491</b>	Ratio 5.57
211488	<b>M12-211488</b>	Ratio 4.63
211490	<b>M12-211490</b>	Ratio 5.29
211489	<b>M12-211489</b>	Ratio 4.88
211487	<b>M12-211487</b>	Ratio 4.33
211482	<b>M12-211482</b>	Ratio 3.36
211481	<b>M12-211481</b>	Ratio 3.25
211480	<b>M12-211480</b>	Ratio 3.08

# INPUT SHAFT AND INTER-AXLE DIFFERENTIAL



## Kits

- M12-DRK -427

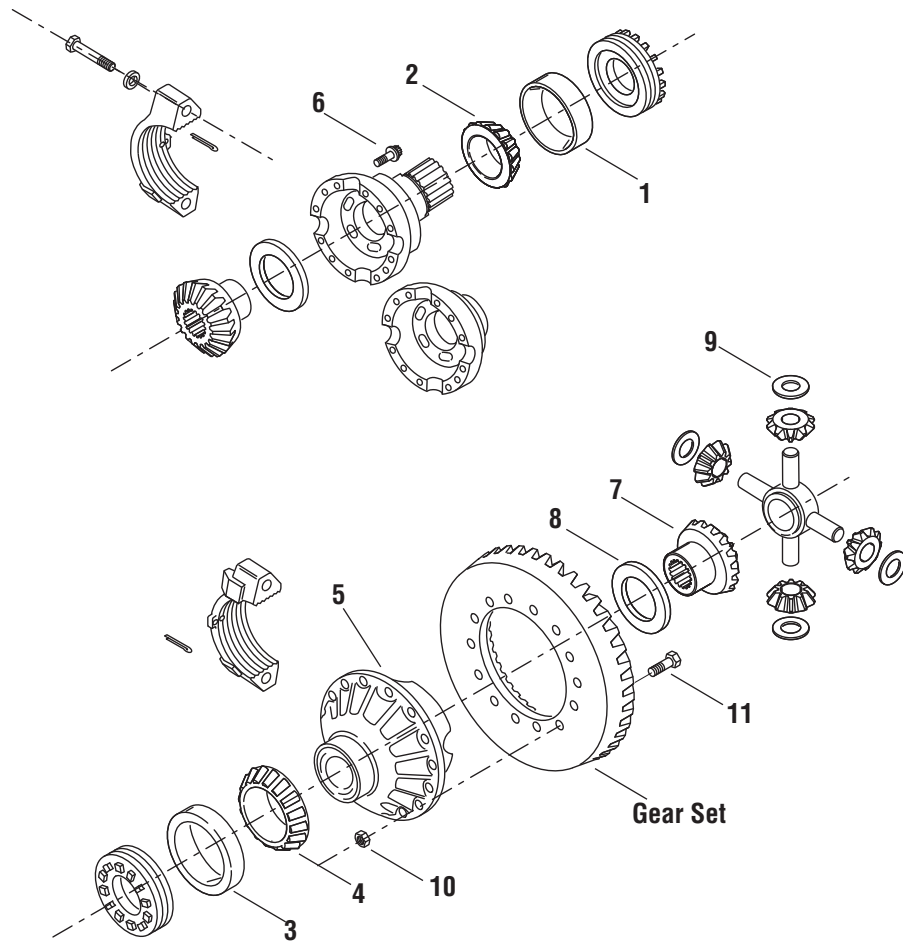
See Kits section for complete BOM.

**ITEM****INDUSTRY PART NO.****MERITOR PART NO.****DESCRIPTION****Input Shaft and Inter-Axle Differential**

1	MUB1307UM	<b>MUB1307UMMAF</b>	Bearing - Drive Pinion Spigot
2	NP242732	<b>NP242732MAF</b>	Bearing Cone- Drive Pinion - Inner
3	NP611140	<b>NP611140MAF</b>	Bearing Cup - Drive Pinion - Inner
4	55437	<b>55437MAF</b>	Bearing Cup - Drive Pinion - Outer
5	55212C	<b>55212CMAF</b>	Bearing Cone - Drive Pinion - Outer
6	127523	<b>M12-127523</b>	Helical Drive Gear
7	118807	<b>M12-118807</b>	Roll Pin - Drive Pinion
8	126182	<b>M12-126182</b>	Nut - Drive Pinion
9	NP930036	<b>NP930036MAF</b>	Bearing Cone- Input Shaft
10	NP193660	<b>NP193660MAF</b>	Bearing Cup - Input Shaft
11	127592	<b>M12-127592</b>	Seal - Thrushaft
12	126193	<b>M12-126193</b>	Thrust Bolt
13	210184	<b>M12-210184</b>	Jam Nut



# MAIN DIFFERENTIAL



## Kits

- M12-DRK -427

See Kits section for complete BOM.

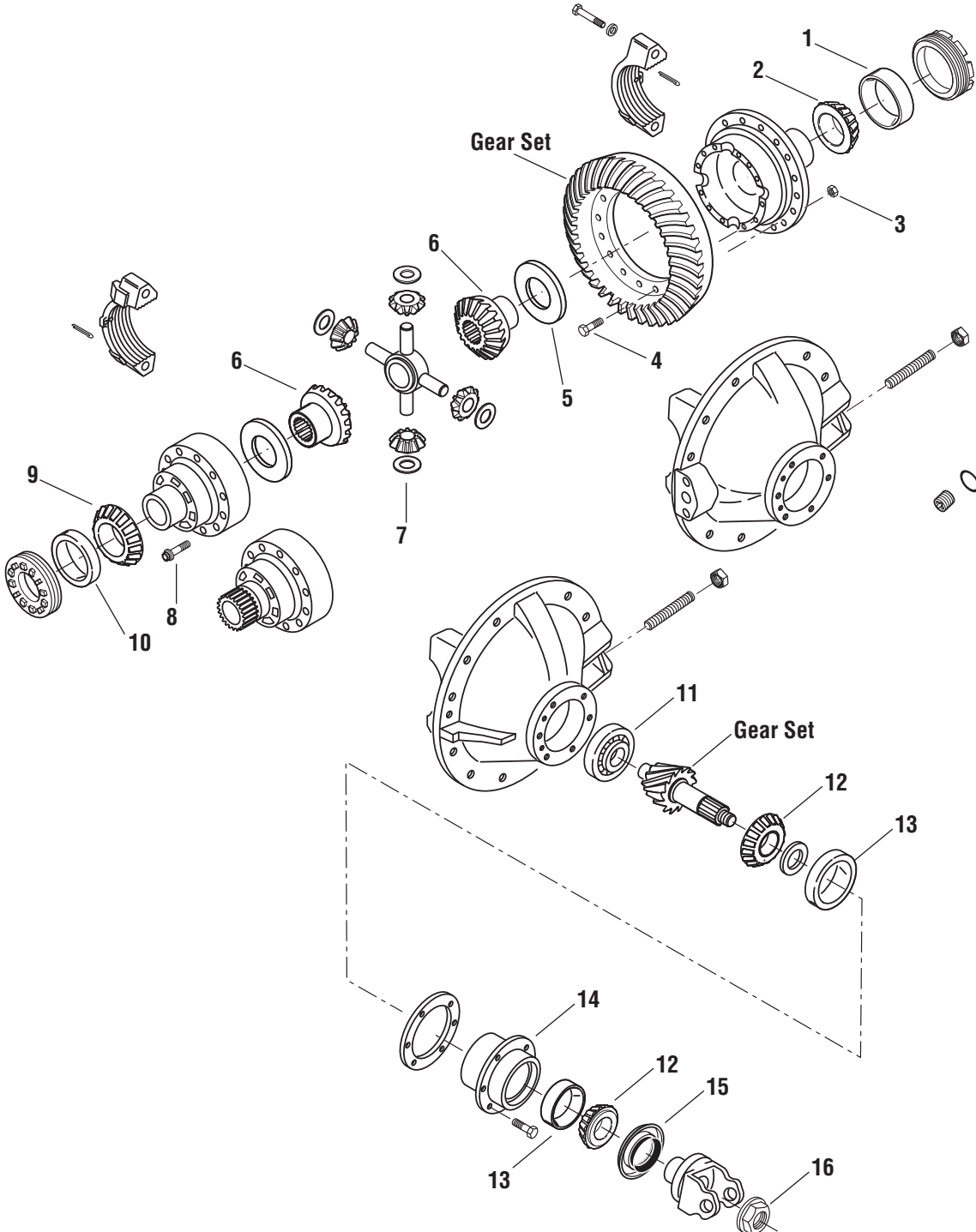
**Main Differential**

1	NP533133	<b>NP533133MAF</b>	Bearing Cup - Differential - Plain Half
2	NP380290	<b>NP380290MAF</b>	Bearing Cone - Differential - Plain Half
3	NP105857	<b>NP105857MAF</b>	Bearing Cup - Differential - Flange Half
4	NP799449	<b>NP799449MAF</b>	Bearing Cone - Differential - Flange Half
5	Case - Differential Flange Half		
	• 508653	<b>M12-508653</b>	Ratios 2.64 to 3.25
	• 508654	<b>M12-508654</b>	Ratios 3.36 to 3.90
	• 508655	<b>M12-508655</b>	Ratios 4.11 to 4.88
	• 508656	<b>M12-508656</b>	Ratios 5.29 to 7.17
6	127465	<b>M12-127465</b>	Bolt Kit - Differential Case
7	127368	<b>M12-127368</b>	Side Gear - Differential 41 Inv. Spline
8	127386	<b>M12-127386</b>	Thrust Washer - Side Gear
9	129305	<b>M12-129305</b>	Thrust Washer - Differential
10, 11	508652	<b>M12-508652</b>	Bolt Kit - Ring Gear to Diff Flange Half

**Gear Sets**

211462	<b>M12-211462</b>	Ratio 2.64
211463	<b>M12-211463</b>	Ratio 2.85
211477	<b>M12-211477</b>	Ratio 6.50 (ring gear OD - 15.4")
511571	<b>M12-511571</b>	Ratio 6.50 (ring gear OD - 15.65")

# COMPLETE ASSEMBLY



**Kits**

- M12-DRK -429

See Kits section for complete BOM.

**Complete Assembly**

1	NP105857	<b>NP105857MAF</b>	Bearing Cup Differential - Flange Half
2	NP799449	<b>NP799449MAF</b>	Bearing Cone Differential - Flange Half
3, 4	508652	<b>M12-508652</b>	Bolt Kit - Ring Gear to Diff Flange Half
5	127386	<b>M12-127386</b>	Thrust Washer - Side Gear
6	127368	<b>M12-127368</b>	Side Gear - Differential 41 Inv. Spline
7	129305	<b>M12-129305</b>	Thrust Washer - Differential
8	127465	<b>M12-127465</b>	Bolt Kit - Differential Case
9	NP380290	<b>NP380290MAF</b>	Bearing Cone Differential - Plain Half
10	NP533133	<b>NP533133MAF</b>	Bearing Cup Differential - Plain Half
11	MUB7307UM	<b>MUB7307UMMAF</b>	Bearing - Drive Pinion Spigot
12	Bearing Cone		
	• 55200C	<b>55200CMAF</b>	Drive Pinion - Outer
	• NP523912	<b>NP523912MAF</b>	Drive Pinion - Inner
13	Bearing Cup		
	• 55437	<b>55437MAF</b>	Drive Pinion - Outer
	• NP611140	<b>NP611140MAF</b>	Drive Pinion - Inner
14	129768	<b>M12-129768</b>	Bearing Cage with Cups
15	127591	<b>M12-127591</b>	Oil Seal - Drive Pinion
16	127589	<b>M12-127589</b>	Nut - Drive Pinion

**Gear Sets**

211494	<b>M12-211494</b>	Ratio 7.17
211493	<b>M12-211493</b>	Ratio 6.5
211478	<b>M12-211478</b>	Ratio 2.64
513362	<b>M12-513362</b>	Ratio 5.57

**M10-DRK-194F**

• 72212CMAF	1	Pinion Head Bearing Cone and Pinion Tail Bearing Cone
• 72487MAF	1	Pinion Head Bearing Cup and Pinion Tail Bearing Cup
• JLM710910MAF	1	Drive Gear Front Bearing Cup
• JLM710949CMAF	1	Drive Gear Front Bearing Cone
• JM511910MAF	1	Input Shaft Bearing Cup
• JM511946MAF	1	Input Shaft Bearing Cone
• JM716610MAF	1	Differential Left Bearing Cup and Differential Right Bearing Cup
• JM716649MAF	1	Differential Left Bearing Cone and Differential Right Bearing Cone
• LM603011MAF	2	Thrushaft Bearing Cup
• LM603049MAF	2	Thrushaft Bearing Cone
• M10-A1205G2425	1	Thrushaft Seal
• M10-R945008	1	Input Shaft Seal
• RU1570UMMAF	1	Pinion Nose Bearing - Spigot
• TP20148	1	Sealer Instructions

**M10-DRK-194RB**

• 72212CMAF	1	Pinion Head Bearing Cone and Pinion Tail Bearing Cone
• 72487MAF	1	Pinion Head Bearing Cup and Pinion Tail Bearing Cup
• JM716610MAF	1	Differential Left Bearing Cup and Differential Right Bearing Cup
• JM716649MAF	1	Differential Left Bearing Cone and Differential Right Bearing Cone
• M10-A1205U1685	1	Pinion Seal
• RU1570UMMAF	1	Pinion Nose Bearing - Spigot
• TP20148	1	Sealer Instructions

**M10-DRK-217R**

• 55206CMAF	1	Pinion Tail Bearing Cone
• 55437MAF	1	Pinion Tail Bearing Cup
• 72212CMAF	1	Pinion Head Bearing Cone
• 72487MAF	1	Pinion Head Bearing Cup
• JM716610MAF	1	Differential Left Bearing Cup and Differential Right Bearing Cup
• JM716649MAF	1	Differential Left Bearing Cone and Differential Right Bearing Cone
• M10-R945009	1	Pinion Seal
• RU1570UMMAF	1	Pinion Nose Bearing - Spigot
• TP20148	1	Sealer Instructions

**M10-DRK-224**

• 32020XMAF	1	Diff Left Bearing cup/cone Assembly and Diff Right Bearing cup/cone Assembly
• 55206CMAF	1	Pinion Tail Bearing Cone
• 55437MAF	1	Pinion Tail Bearing Cup
• 72212CMAF	1	Pinion Head Bearing Cone
• 72487MAF	1	Pinion Head Bearing Cup
• M10-R945009	1	Pinion Seal
• RU1570UMMAF	1	Pinion Nose Bearing - Spigot
• TP20148	1	Sealer Instructions



**M10-DRK-4390**

• 55206CMAF	1	Pinion Tail Bearing Cone
• 55437MAF	1	Pinion Tail Bearing Cup
• 72212CMAF	1	Pinion Head Bearing Cone
• 72487MAF	1	Pinion Head Bearing Cup
• JM716610MAF	1	Differential Right Bearing Cup
• JM716649MAF	1	Differential Right Bearing Cone
• JP10010AMAF	1	Differential Left Bearing Cup
• JP10049MAF	1	Differential Left Bearing Cone
• M10-R945009	1	Pinion Seal
• RU1570UMMAF	1	Pinion Nose Bearing - Spigot
• TP20148	1	Sealer Instructions

**M10-DRK-4395**

• 3920MAF	1	Input Shaft Front Bearing Cup
• 72212CMAF	1	Pinion Tail Bearing Cone
• 72487MAF	1	Pinion Tail Bearing Cup
• H715311MAF	1	Pinion Head Bearing Cup
• H715334MAF	1	Pinion Head Bearing Cone
• JLM104910MAF	2	Output Shaft Bearing Cup
• JLM710910MAF	1	Input Shaft Rear Bearing Cup
• JLM710949CMAF	1	Input Shaft Rear Bearing Cone
• JM511946MAF	1	Input Shaft Front Bearing Cone
• JM716610MAF	1	Differential Left Bearing Cup and Differential Right Bearing Cup
• JM716649MAF	1	Differential Left Bearing Cone and Differential Right Bearing Cone
• LM104949MAF	2	Output Shaft Bearing Cone
• M10-5X1034	2	O-Ring
• M10-R945007	1	Input Shaft Pinion Seal
• M10-R945008	1	Thrushaft Seal
• TP20148	1	Sealer Instructions

**M10-DRK-4396**

• 3920MAF	1	Input Shaft Front Bearing Cup
• 72212CMAF	1	Pinion Tail Bearing Cone
• 72487MAF	1	Pinion Tail Bearing Cup
• H715311MAF	1	Pinion Head Bearing Cup
• H715334MAF	1	Pinion Head Bearing Cone
• JLM104910MAF	2	Output Shaft Bearing Cup
• JLM710910MAF	1	Input Shaft Rear Bearing Cup
• JLM710949CMAF	1	Input Shaft Rear Bearing Cone
• JM511945MAF	1	Input Shaft Front Bearing Cone
• JM716610MAF	1	Differential Left Bearing Cup and Differential Right Bearing Cup
• JM716649MAF	1	Differential Left Bearing Cone and Differential Right Bearing Cone
• LM104949MAF	2	Output Shaft Bearing Cone
• M10-5X1034	2	O-Ring
• M10-R945007	1	Input Shaft Seal
• M10-R945008	1	Thrushaft Seal
• TP20148	1	Sealer Instructions

**M10-DRK-4406**

• 3920MAF	1	Input Shaft Front Bearing Cup
• 72212CMAF	1	Pinion Tail Bearing Cone
• 72487MAF	1	Pinion Tail Bearing Cup
• H715311MAF	1	Pinion Head Bearing Cup
• H715334MAF	1	Pinion Head Bearing Cone
• JLM104910MAF	2	Output Shaft Bearing Cup
• JLM710910MAF	1	Input Shaft Rear Bearing Cup
• JLM710949CMAF	1	Input Shaft Rear Bearing Cone
• JM511945MAF	1	Input Shaft Front Bearing Cone
• JM716610MAF	1	Differential Right Bearing Cup
• JM716649MAF	1	Differential Right Bearing Cone
• JP10010AMAF	1	Differential Left Bearing Cup
• JP10049MAF	1	Differential Left Bearing Cone
• LM104949MAF	2	Output Shaft Bearing Cone
• M10-5X1034	2	O-Ring
• M10-R945007	1	Input Shaft Seal
• M10-R945008	1	Thrushaft Seal
• TP20148	1	Sealer Instructions

**M10-DRK-4415**

• 32021MAF	1	Diff Left Bearing cup/cone Assembly and Diff Right Bearing cup/cone Assembly
• 9220MAF	1	Pinion Head Bearing Cup
• 9278MAF	1	Pinion Head Bearing Cone
• A11228P1004MAF	1	Pinion Nose Bearing - Spigot
• HM813810MAF	1	Pinion Tail Bearing Cup
• HM813843MAF	1	Pinion Tail Bearing Cone
• M10-R945010	1	Pinion Seal
• TP20148	1	Sealer Instructions

**M10-DRK-4422**

• 592AMAF	1	Differential Left Bearing Cup and Differential Right Bearing Cup
• 594AMAF	1	Differential Left Bearing Cone and Differential Right Bearing Cone
• 65237MAF	1	Pinion Tail Bearing Cone
• 65500MAF	1	Pinion Tail Bearing Cup
• H715311MAF	1	Pinion Head Bearing Cup
• H715343MAF	1	Pinion Head Bearing Cone
• HM813810MAF	1	Input Shaft Front Bearing Cup
• HM813843MAF	1	Input Shaft Front Bearing Cone
• JLM714110MAF	1	Input Shaft Rear Bearing Cup
• JLM714149MAF	1	Input Shaft Rear Bearing Cone
• M10-5X1034	1	O-Ring
• M10-R945007	1	Pinion Seal
• TP20148	1	Sealer Instructions

**M10-DRK-4426**

• 592AMAF	1	Differential Left Bearing Cup and Differential Right Bearing Cup
• 594AMAF	1	Differential Left Bearing Cone and Differential Right Bearing Cone
• 9220MAF	1	Pinion Head Bearing Cup
• 9278MAF	1	Pinion Head Bearing Cone
• HM813810MAF	1	Pinion Tail Bearing Cup
• HM813843MAF	1	Pinion Tail Bearing Cone
• M10-R945010	1	Pinion Seal
• RU9008UMMAF	1	Pinion Nose Bearing - Spigot
• TP20148	1	Sealer Instructions

**M10-DRK-4428**

• 52400MAF	1	Differential Left Bearing Cone
• 52618MAF	1	Differential Left Bearing Cup
• 592AMAF	1	Differential Right Bearing Cup
• 594AMAF	1	Differential Right Bearing Cone
• 9220MAF	1	Pinion Head Bearing Cup
• 9278MAF	1	Pinion Head Bearing Cone
• HM813810MAF	1	Pinion Tail Bearing Cup
• HM813843MAF	1	Pinion Tail Bearing Cone
• M10-R945010	1	Pinion Seal
• RU9008UMMAF	1	Pinion Nose Bearing - Spigot
• TP20148	1	Sealer Instructions

**M11-DRK-191R**

- 3925MAF 1 Differential Left Bearing Cup and Differential Right Bearing Cup
- 3984MAF 1 Differential Left Bearing Cone and Differential Right Bearing Cone
- 55175CMAF 1 Pinion Head Bearing Cone and Pinion Tail Bearing Cone
- 55437MAF 1 Pinion Head Bearing Cup and Pinion Tail Bearing Cup
- M11-GGAHH106 1 Pinion Seal
- M11-H506825 1 Pinion Seal
- MUB5206UMMAF 1 Pinion Nose Bearing - Spigot
- TP20148 1 Sealer Instructions

**M11-DRK-192RB**

- 47820MAF 1 Differential Left Bearing Cup and Differential Right Bearing Cup
- 47890MAF 1 Differential Left Bearing Cone and Differential Right Bearing Cone
- 72225CMAF 1 Pinion Head Bearing Cone and Pinion Tail Bearing Cone
- 72487MAF 1 Pinion Head Bearing Cup and Pinion Tail Bearing Cup
- M11-401HH102 1 Pinion Seal
- MUB1307UMMAF 1 Pinion Nose Bearing - Spigot
- TP20148 1 Sealer Instructions

**M11-DRK-200F**

- 210MAF 1 Output Shaft Bearing - Ball
- 28921MAF 1 Power Divider Case Intermedial Bearing Cup
- 28985MAF 1 Power Divider Case Intermedial Bearing Cone
- 3820MAF 2 Idler Gear Bearing Cup
- 3877MAF 2 Idler Gear Bearing Cone
- 47820MAF 1 Differential Left Bearing Cup and Differential Right Bearing Cup
- 47890MAF 1 Differential Left Bearing Cone and Differential Right Bearing Cone
- 72225CMAF 1 Pinion Head Bearing Cone and Pinion Tail Bearing Cone
- 72487MAF 1 Pinion Head Bearing Cup and Pinion Tail Bearing Cup
- JLM710910MAF 2 Power Divider Bearing Cup
- JLM710949CMAF 2 Power Divider Bearing Cone
- M10-A1205N1496 1 Thrushaft Seal
- M10-R945008 1 Input Shaft Seal
- MUB1307UMMAF 1 Pinion Nose Bearing - Spigot
- TP20148 1 Sealer Instructions
- TRA4860MAF 2 Power Divider Front Side Gear Thrust Race
- W4860MAF 1 Power Divider Front Side Gear Thrust Bearing
- XLS5-1/8AFMAF 1 Power Divider Intermedial Disc Rear Bearing Ball

**M11-DRK-200FA**

• 210MAF	1	Output Shaft Bearing - Ball
• 28921MAF	1	Power Divider Case Intermedial Bearing Cup
• 28985MAF	1	Power Divider Case Intermedial Bearing Cone
• 47820MAF	1	Differential Left Bearing Cup and Differential Right Bearing Cup
• 47890MAF	1	Differential Left Bearing Cone and Differential Right Bearing Cone
• 72225CMAF	1	Pinion Head Bearing Cone and Pinion Tail Bearing Cone
• 72487MAF	1	Pinion Head Bearing Cup and Pinion Tail Bearing Cup
• JLM710910MAF	2	Power Divider Bearing Cup
• JLM710949CMAF	2	Power Divider Bearing Cone
• M10-A1205N1496	1	Thrushaft Seal
• M10-R945008	1	Input Shaft Seal
• M802011MAF	2	Idler Gear Bearing Cup
• M802048MAF	2	Idler Gear Bearing Cone
• MUB1307UMMAF	1	Pinion Nose Bearing - Spigot
• TP20148	1	Sealer Instructions
• TRA4860MAF	1	Power Divider Front Side Gear Thrust Race
• W4860MAF	1	Power Divider Front Side Gear Thrust Bearing
• XLS5-1/8AFMAF	1	Power Divider Intermedial Disc Rear Bearing Ball

**M11-DRK-201F**

• 210MAF	1	Output Shaft Bearing - Ball
• 28921MAF	1	Power Divider Case Intermedial Bearing Cup
• 28985MAF	1	Power Divider Case Intermedial Bearing Cone
• 3820MAF	2	Idler Gear Bearing Cup
• 3877MAF	2	Idler Gear Bearing Cone
• 56425MAF	1	Differential Left Bearing Cone and Differential Right Bearing Cone
• 56650MAF	1	Differential Left Bearing Cup and Differential Right Bearing Cup
• H715311MAF	1	Pinion Head Bearing Cup
• H715343MAF	1	Pinion Head Bearing Cone
• HM813810MAF	1	Pinion Tail Bearing Cup
• HM813844MAF	1	Pinion Tail Bearing Cone
• JLM710910MAF	2	Power Divider Bearing Cup
• JLM710949CMAF	2	Power Divider Bearing Cone
• M10-A1205N1496	1	Thrushaft Seal
• M10-R945008	1	Input Shaft Seal
• MU1308UMMAF	1	Pinion Nose Bearing - Spigot
• TP20148	1	Sealer Instructions
• TRA4860MAF	2	Power Divider Front Side Gear Thrust Race
• W4860MAF	1	Power Divider Front Side Gear Thrust Bearing
• XLS5-1/8AFMAF	1	Power Divider Intermedial Disc Rear Bearing Ball



**M11-DRK-201FA**

• 210MAF	1	Output Shaft Bearing - Ball
• 28921MAF	1	Power Divider Case Intermedial Bearing Cup
• 28985MAF	1	Power Divider Case Intermedial Bearing Cone
• 56425MAF	1	Differential Left Bearing Cone and Differential Right Bearing Cone
• 56650MAF	1	Differential Left Bearing Cup and Differential Right Bearing Cup
• H715311MAF	1	Pinion Head Bearing Cup
• H715343MAF	1	Pinion Head Bearing Cone
• HM813810MAF	1	Pinion Tail Bearing Cup
• HM813844MAF	1	Pinion Tail Bearing Cone
• JLM710910MAF	2	Power Divider Bearing Cup
• JLM710949CMAF	2	Power Divider Bearing Cone
• M10-A1205N1496	1	Thrushaft Seal
• M10-R945008	1	Input Shaft Seal
• M802011MAF	2	Idler Gear Bearing Cup
• M802048MAF	2	Idler Gear Bearing Cone
• MU1308UMMAF	1	Pinion Nose Bearing - Spigot
• TP20148	1	Sealer Instructions
• TRA4860MAF	2	Power Divider Front Side Gear Thrust Race
• W4860MAF	1	Power Divider Front Side Gear Thrust Bearing
• XLS5-1/8AFMAF	1	Power Divider Intermedial Disc Rear Bearing Ball

**M11-DRK-201R**

• 56425MAF	1	Differential Left Bearing Cone and Differential Right Bearing Cone
• 56650MAF	1	Differential Left Bearing Cup and Differential Right Bearing Cup
• H715311MAF	1	Pinion Head Bearing Cup
• H715343MAF	1	Pinion Head Bearing Cone
• HM813810MAF	1	Pinion Tail Bearing Cup
• HM813844MAF	1	Pinion Tail Bearing Cone
• M11-401HH102	1	Pinion Seal
• MU1308UMMAF	1	Pinion Nose Bearing - Spigot
• TP20148	1	Sealer Instructions

**M11-DRK-213**

• 42381MAF	1	Differential Left Bearing Cone
• 42584MAF	1	Differential Left Bearing Cup
• 493MAF	1	Differential Right Bearing Cup
• 495MAF	1	Differential Right Bearing Cone
• 55200CMAF	1	Pinion Head Bearing Cone and Pinion Tail Bearing Cone
• 55437MAF	1	Pinion Head Bearing Cup and Pinion Tail Bearing Cup
• M11-GGAHH109	1	Pinion Seal
• MUSB1307UMMAF	1	Pinion Nose Bearing - Spigot
• TP20148	1	Sealer Instructions

**M11-DRK-214**

• 55200CMAF	1	Pinion Tail Bearing Cone
• 55437MAF	1	Pinion Tail Bearing Cup
• 72225CMAF	1	Pinion Head Bearing Cone
• 72487MAF	1	Pinion Head Bearing Cup
• JM716610MAF	1	Differential Right Bearing Cup
• JM716649MAF	1	Differential Right Bearing Cone
• JM822010MAF	1	Differential Left Bearing Cup
• JM822049MAF	1	Differential Left Bearing Cone
• M11-GGAHH109	1	Pinion Seal
• MUB1308UMMAF	1	Pinion Nose Bearing - Spigot
• TP20148	1	Sealer Instructions

**M11-DRK-223F**

• 493MAF	1	Differential Left Bearing Cup and Differential Right Bearing Cup
• 495MAF	1	Differential Left Bearing Cone and Differential Right Bearing Cone
• 72225CMAF	1	Pinion Head Bearing Cone and Pinion Tail Bearing Cone
• 72487MAF	1	Pinion Head Bearing Cup and Pinion Tail Bearing Cup
• A1400MAF	1	Output Shaft Bearing Assembly
• B3624MAF	1	Input Gear Bearing
• HM807010MAF	1	Input Shaft Bearing Cup
• HM807049MAF	1	Input Shaft Bearing Cone
• JLM710910MAF	1	Inter Axle Bearing Cup
• JLM710949CMAF	1	Inter Axle Bearing Cone
• M10-A1205N1496	1	Input Shaft Seal and Thrushaft Seal
• M11-21003R1	1	O-Ring
• RU1570UMMAF	1	Pinion Nose Bearing - Spigot
• TP20148	1	Sealer Instructions

**M11-DRK-223R**

• 493MAF	1	Differential Left Bearing Cup and Differential Right Bearing Cup
• 495MAF	1	Differential Left Bearing Cone and Differential Right Bearing Cone
• 72225CMAF	1	Pinion Head Bearing Cone and Pinion Tail Bearing Cone
• 72487MAF	1	Pinion Head Bearing Cup and Pinion Tail Bearing Cup
• M11-401HH102	1	Pinion Seal
• RU1570UMMAF	1	Pinion Nose Bearing - Spigot
• TP20148	1	Sealer Instructions

**M11-DRK-414**

• 3920MAF	1	Differential Left Bearing Cup and Differential Right Bearing Cup
• 3984MAF	1	Differential Left Bearing Cone and Differential Right Bearing Cone
• 55175CMAF	1	Pinion Tail Bearing Cone
• 55437MAF	1	Pinion Tail Bearing Cup
• 72225CMAF	1	Pinion Head Bearing Cone
• 72487MAF	1	Pinion Head Bearing Cup
• M11-029HH100	1	Pinion Seal
• TP20148	1	Sealer Instructions

**M12-DRK-196**

• 29620MAF	1	Output Shaft Front Bearing Cup
• 29675MAF	1	Output Shaft Front Bearing Cone
• 3979MAF	1	Input Shaft Bearing Cone
• 493MAF	1	Differential Left Bearing Cup
• 497MAF	1	Differential Left Bearing Cone
• 563MAF	1	Differential Right Bearing Cup
• 567MAF	1	Differential Right Bearing Cone
• 72218CMAF	1	Pinion Head Bearing Cone
• 72487MAF	1	Pinion Head Bearing Cup
• HM807010MAF	1	Pinion Tail Bearing Cup
• HM807049MAF	1	Pinion Tail Bearing Cone
• JM511910MAF	1	Input Shaft Bearing Cup
• M12-127719	1	Input Shaft Seal
• M12-127720	1	Thrushaft Seal
• MA1209ELMAF	1	Output Shaft Rear Bearing
• MUSB1307UMMAF	1	Pinion Nose Bearing - Spigot
• TP20148	1	Sealer Instructions

**M12-DRK-1A**

• 493MAF	1	Differential Right Bearing Cup
• 497MAF	1	Differential Right Bearing Cone
• 55200CMAF	1	Pinion Head Bearing Cone and Pinion Tail Bearing Cone
• 55437MAF	1	Pinion Head Bearing Cup and Pinion Tail Bearing Cup
• 563MAF	1	Differential Left Bearing Cup
• 567MAF	1	Differential Left Bearing Cone
• M12-127721	1	Pinion Seal
• MUSB1307UMMAF	1	Pinion Nose Bearing - Spigot
• TP20148	1	Sealer Instructions

**M12-DRK-222F**

• 29620MAF	1	Output Shaft Front Bearing Cup
• 29675MAF	1	Output Shaft Front Bearing Cone
• 3979MAF	1	Input Shaft Bearing Cone
• 493MAF	1	Differential Left Bearing Cup
• 497MAF	1	Differential Left Bearing Cone
• 563MAF	1	Differential Right Bearing Cup
• 567MAF	1	Differential Right Bearing Cone
• 72218CMAF	1	Pinion Head Bearing Cone
• 72487MAF	1	Pinion Head Bearing Cup
• HM807010MAF	1	Pinion Tail Bearing Cup
• HM807049MAF	1	Pinion Tail Bearing Cone
• JM511910MAF	1	Input Shaft Bearing Cup
• M12-127719	1	Input Shaft Seal
• M12-127720	1	Thrushaft Seal
• MA1209ELMAF	1	Output Shaft Rear Bearing
• MUSB7307UMMAF	1	Pinion Nose Bearing - Spigot
• TP20148	1	Sealer Instructions

**M12-DRK-222R**

• 493MAF	1	Differential Right Bearing Cup
• 497MAF	1	Differential Right Bearing Cone
• 55200CMAF	1	Pinion Tail Bearing Cone
• 55437MAF	1	Pinion Tail Bearing Cup
• 563MAF	1	Differential Left Bearing Cup
• 567MAF	1	Differential Left Bearing Cone
• 72200CMAF	1	Pinion Head Bearing Cone
• 72487MAF	1	Pinion Head Bearing Cup
• M12-127721	1	Pinion Seal
• MUSB7307UMMAF	1	Pinion Nose Bearing - Spigot
• TP20148	1	Sealer Instructions

**M12-DRK-404F**

• 29630MAF	1	Output Shaft Bearing Cup
• 29675MAF	1	Output Shaft Bearing Cone
• 493MAF	1	Differential Left Bearing Cup
• 497MAF	1	Differential Left Bearing Cone
• 55212CMAF	1	Pinion Tail Bearing Cone
• 552AMAF	1	Input Shaft Bearing Cup
• 55437MAF	1	Pinion Tail Bearing Cup
• 555SMAF	1	Input Shaft Bearing Cone
• 563MAF	1	Differential Right Bearing Cup
• 567MAF	1	Differential Right Bearing Cone
• 72218CMAF	1	Pinion Head Bearing Cone
• 72487MAF	1	Pinion Head Bearing Cup
• M12-127591	1	Input Shaft Seal
• M12-127592	1	Thruhaft Seal
• M12-401300	1	Input Seal V-Ring
• MUB1307UMMAF	1	Pinion Nose Bearing - Spigot
• TP20148	1	Sealer Instructions

**M12-DRK-404R**

• 493MAF	1	Differential Right Bearing Cup
• 497MAF	1	Differential Right Bearing Cone
• 55200CMAF	1	Pinion Tail Bearing Cone
• 55437MAF	1	Pinion Tail Bearing Cup
• 563MAF	1	Differential Left Bearing Cup
• 567MAF	1	Differential Left Bearing Cone
• 72212CMAF	1	Pinion Head Bearing Cone
• 72487MAF	1	Pinion Head Bearing Cup
• M12-127591	1	Pinion Seal
• MUB7307UMMAF	1	Pinion Nose Bearing - Spigot
• TP20148	1	Sealer Instructions



**M12-DRK-427**

• 29630MAF	1	Input Shaft Rear Bearing Cup
• 29675MAF	1	Input Shaft Rear Bearing Cone
• 55212CMAF	1	Pinion Tail Bearing Cone
• 55437MAF	1	Pinion Tail Bearing Cup
• JLM104910MAF	1	Output Shaft Front Bearing Cup and Output Shaft Rear Bearing Cup
• LM104949MAF	1	Output Shaft Front Bearing Cone and Output Shaft Rear Bearing Cone
• M12-127591	1	Input Shaft Seal
• M12-127592	1	Thrushaft Seal
• MUB1307UMMAF	1	Pinion Nose Bearing - Spigot
• NP105857MAF	1	Differential Right Bearing Cup
• NP193660MAF	1	Input Shaft Front Bearing Cup
• NP242732MAF	1	Pinion Head Bearing Cone
• NP380290MAF	1	Differential Left Bearing Cone
• NP533133MAF	1	Differential Left Bearing Cup
• NP611140MAF	1	Pinion Head Bearing Cup
• NP799449MAF	1	Differential Right Bearing Cone
• NP930036MAF	1	Input Shaft Front Bearing Cone
• TP20148	1	Sealer Instructions

**M12-DRK-429**

• 55200CMAF	1	Pinion Tail Bearing Cone
• 55437MAF	1	Pinion Tail Bearing Cup
• M12-127591	1	Pinion Seal
• MUB7307UMMAF	1	Pinion Nose Bearing - Spigot
• NP105857MAF	1	Differential Right Bearing Cup
• NP380290MAF	1	Differential Left Bearing Cone
• NP523912MAF	1	Pinion Head Bearing - Inner
• NP533133MAF	1	Differential Left Bearing Cup
• NP611140MAF	1	Pinion Head Bearing - Inner
• NP799449MAF	1	Differential Right Bearing Cone
• TP20148	1	Sealer Instructions

# Visit us today at MeritorPartsOnline.com



- 🖱️ Place your order
- 🖱️ Check Price and Availability
- 🖱️ Retrieve Invoices
- 🖱️ and more!

MANUFACTURER	MERITOR	DT	FEDERAL MOGUL	CR/SKE	DANA/EATON	INTERNATIONAL
EATON®	<b>M12-DRK-1A</b>	DRK-1A	RA-1-A	DK1-A	099041	1651532C91 / 369244C93
EATON®	<b>M12-DRK-196</b>	DRK-196	RA-196	DK196	114394	
EATON®	<b>M12-DRK-222F</b>	DRK-222F	RA-222-F	DK222-F	211222	
EATON®	<b>M12-DRK-222R</b>	DRK-222R	RA-222-R	DK222-R	211223	
EATON®	<b>M12-DRK-404R</b>	DRK-404R	RA-404-R	DK404-R	216248	
EATON®	<b>M12-DRK-404F</b>	DRK-404F	RA-404-F	DK404-F	216234	
EATON®	<b>M11-DRK-414</b>	DRK-414			360KS100-X	
EATON®	<b>M12-DRK-427</b>	DRK-427			512812	
EATON®	<b>M12-DRK-429</b>	DRK-429			512806	
IHC/SPICER®/DANA®	<b>M11-DRK-191R</b>	DRK-191R	RA-191-R	DK191-R	341KS101	450083C93
IHC/SPICER®/DANA®	<b>M11-DRK-192RB</b>	DRK-192RB	RA-192-RB	DK192-RB	472KS101	499686C92
IHC/SPICER®/DANA®	<b>M11-DRK-200F</b>	DRK-200F	RA-200-F	DK200-F		499685C92
IHC/SPICER®/DANA®	<b>M11-DRK-200FA</b>	DRK-200FA	RA-200-FA	DK200-FA	472KS113	
IHC/SPICER®/DANA®	<b>M11-DRK-201F</b>	DRK-201F				
IHC/SPICER®/DANA®	<b>M11-DRK-201FA</b>	DRK-201FA	RA-201-FA	DK201-FA	474KS102	
IHC/SPICER®/DANA®	<b>M11-DRK-201R</b>	DRK-201R	RA-201-R	DK201-R	474KS101	499688C92
IHC/SPICER®/DANA®	<b>M11-DRK-213</b>	DRK-213	RA-213	DK213	GGAKA101X	
IHC/SPICER®/DANA®	<b>M11-DRK-214</b>	DRK-214	RA-214	DK214	MJAKA101-X	
IHC/SPICER®/DANA®	<b>M11-DRK-223F</b>	DRK-223F	RA-223-F	DK223-F	401KS100-X	1665333C91
IHC/SPICER®/DANA®	<b>M11-DRK-223R</b>	DRK-223R	RA-223-R	DK223-R	401KS101-X	
MERITOR®	<b>M10-DRK-194F</b>	DRK-194F	RA-194-F	DK194-F		452602C93
MERITOR®	<b>M10-DRK-194RB</b>	DRK-194RB	RA-194-RB	DK194-RB		
MERITOR®	<b>M10-DRK-217R</b>	DRK-217R	RA-217-R	DK217-R		
MERITOR®	<b>M10-DRK-224</b>	DRK-224	RA-224	DK224		
MERITOR®	<b>M10-DRK-4390</b>	DRK-4390	RA-4390	DK4390		
MERITOR®	<b>M10-DRK-4395</b>	DRK-4395	RA-4395	DK4395		
MERITOR®	<b>M10-DRK-4396</b>	DRK-4396	RA-4396	DK4396		
MERITOR®	<b>M10-DRK-4406</b>	DRK-4406	RA-4406	DK4406		
MERITOR®	<b>M10-DRK-4415</b>	DRK-4415	RA-4415	DK4415		
MERITOR®	<b>M10-DRK-4422</b>	DRK-4422	RA-4422	DK4422		
MERITOR®	<b>M10-DRK-4426</b>	DRK-4426	RA-4426	DK4426		
MERITOR®	<b>M10-DRK-4428</b>	DRK-4428	RA-4428	DK4428		

INTERCHANGE

PART NUMBER	PAGE	PART NUMBER	PAGE	PART NUMBER	PAGE
5-X-1034	13, 17	2297-E-5335	5, 9, 13, 17	56864	83
5-X-1198	11, 19, 27, 35, 41	2297-S-5349	29, 33	65237	29, 33
5-X-1343	5, 9, 29, 33	2297-U-5273	33	65500	29, 33
13-X-41	43, 47, 51	2297-U-5397	13, 17	70745	81, 83
15-X-1025	43, 47, 51	3107-B-1094	41	72200C	83
40-X-1145	5, 9, 13, 17, 29, 33	3107-D-1018	11, 19, 27	72212C	5, 9, 13, 17, 21, 25, 27, 43, 47, 51, 89
40-X-1233	5, 9, 13, 17	3107-M-1183	5, 9, 13, 17	72218C	79, 85
41-X-1208	5, 9, 13, 17, 29, 33	3107-P-1212	29, 33	72225C	53, 57, 65, 69, 71, 77
41-X-1209	5, 9, 13, 17	3221-P-1004	5, 9, 29	72487	5, 9, 13, 17, 21, 25, 43,
41-X-1364	11, 19, 27, 41	3235-A-2107	39	.....	53, 57, 65, 69, 71, 77, 79, 83, 85, 89,
41-X-1368	41	3261-A-1067	11, 19, 27, 41	.....	96, 97, 98, 100, 101, 103, 104, 105, 106
42GC100	55, 57, 67, 69	3266-C-1095	5, 9, 13, 17, 29, 33	75108	83
46-X-1029	37	3266-F-1020	11, 19, 27, 41	75110	83
46-X-1029	39	3278-N-300	29, 33	79363	79
401HH02	69	3278-S-305	7, 11, 15, 19, 23, 27, 43, 47, 51	85429	81
401HH102	57, 63	3278-W-335	31, 35, 37, 39	85437	79
493	67, 69, 73, 81, 83, 87, 89	3280-V-6964	49	85991	79
495	67, 69, 73	3280-V-8394	13, 19, 35	85994	79
497	81, 83, 87, 89	3296-B-1172	41	85997	79, 85
552A	85	3296-B-1328	29, 33	86233H	75, 77
555S	85	3296-Z-1170	11, 19, 27	90419	81
563	81, 83, 87, 89	3296-Z-1326	5, 9, 13, 17	95205	81
567	81, 83, 87, 89	3820	53	95206	83
592A	31, 35, 37, 39	3877	53	95207	79
594A	31, 35, 37, 39	3892-A-4369	49	95214	79
1199-R-2176	7, 11, 15, 18, 21, 25	3892-N-4902	5, 9, 13, 17	95215	79
1199-R-3346	49	3892-N-5942	5, 9	95216	79
1227-N-898	43, 47	3892-N-5942	13	96715	79
1227-R-902	45, 49, 51	3892-R-4932	17	104139	81, 83
1228-B-1042	37, 39	3892-S-3945	43, 47	110527	81, 83
1229-A-1301	21, 25, 43, 47, 51	3892-S-5843	17	110731	79
1229-C-1511	4, 8, 13, 16, 21, 25, 45, 49, 51	3892-T-4934	29	110810	79
1229-E-1669	5, 9, 29	3892-T-4934	33	110845	79
1229-F4062	33	3892-U-4909	29, 33	115122	79
1229-G-2763	49	3892-Z-4368	49	115123	81
1229-G-4063	5, 9, 13, 17, 29, 33	3920	5, 9, 13, 17, 77	118807	79, 85, 91
1229-K-3001	31, 35, 37, 39	3925	75	126182	79, 85, 91
1229-L-3002	31, 35, 37, 39	3979	79	126193	91
1229-M-4069	45, 49	3984	75, 77	127265	81
1229-N-1730	43, 47	9220	37, 39	127266	81
1229-Q-2929	29, 33	9278	37, 39	127271	81
1229-R-1032	7, 11, 15, 19, 23, 27,	19415R1	55, 59, 65	127359	87, 89
.....	43, 47, 51	25709R1	53, 58, 67	127364	87, 89
1229-S-4985	5, 9, 13, 17, 29, 33	26310R1	55, 61, 67	127367	89
1229-T-1034	43, 47, 51	27293R1	55, 57	127368	87, 89, 93, 95
1229-T-1736	45, 49, 51	27810	81, 83	127386	81, 83, 87, 89, 93, 95
1229-V-4624	7, 11, 15, 19, 23, 27	27827	81	127465	87, 89, 93, 95
1229-W-4521	5, 9, 13, 17	27857R1	53, 58	127474	85
1229-X-4522	7, 11, 15, 19, 23, 27	28921	53, 59	127495	85
1244-V-1764	5, 9, 13, 17	28985	53, 59	127510	85
1246-P-1134	19, 21, 25	29620	81	127523	85, 91
1250-N-1080	13, 17, 33	29630	87	127545	87
2203-K-9241	5, 9, 13, 17	29675	81, 87	127589	81, 89, 95
2203-L-9242	5, 9, 13, 17	32020X	23, 26	127591	85, 89, 95
2203-M-9243	5, 9, 13, 17	32021	37	127592	85, 91
2208-H-944	41	38289	81, 83	127596	85
2208-L-1000	41	42381	73	127597	85
2214-C-1039	7	42584	73	127598	85
2214-C-1045	25	45478	79	127599	85
2214-C-1095	11, 15	46526	81	127602	85
2214-G-1125	31, 35, 37, 39	47820	55, 57	127645	85
2214-J-1128	37, 39	47890	55, 57	127719	79
2214-Y-1039	18, 25	48922	81	127721	83
2233-J-1024	7, 11, 15, 19, 23, 27	51228	79	127783	79
2233-K-245	29, 33	51238	79	127785	79
2233-M-1001	31, 35, 37, 39	52400	31, 35, 37, 39	128016	79
2233-U-151	43, 47, 51	52618	31, 35, 37, 39	128042	79
2234-C-783	43, 47, 51	55175C	75, 77	128049	79, 85
2234-C-1069	31, 35, 37, 39	55200C	71, 73, 83, 89, 95, 106, 107	128634	85
2234-E-1019	45, 49	55206C	21, 25, 27	128700	85
2234-R-1188	5, 9, 13, 17	55212C	85, 91	128702	85
2234-T-1190	29, 33	55437	21, 25, 71, 73, 75, 77, 83, 85, 89, 91, 95	129169	83
2258-N-1262	11, 19, 27, 41	56425	61, 63	129305	87, 89, 93, 95
2258-Z-1118	13, 17, 33	56650	61, 63	129371	85



PART NUMBER	PAGE	PART NUMBER	PAGE	PART NUMBER	PAGE
129573	85	463420C2	53, 59	597255C91	61, 63
129575	85	463430C2	53, 59	597256C91	61, 63
129577	85	464248C1	53, 59	864356R2	55, 57, 67, 69
129579	85	482782C91	63	864358R2	55, 57
129580	85	482784C91	59	864360R1	55, 57, 67, 69
129583	85	482787C91	53	892790R1	63
129768	89, 95	495024C1	53, 59	1654873C91	75
129783	85	504118	85	1658852C91	75
133761	87	504131C1	53, 59, 65	1665300C91	65
157494R1	55, 57, 67, 69	504810C91	53, 59	1665303C91	65
161061R2	61, 63	507494	85	1665306C1	65
161064R1	61, 63	508652	87, 89, 93, 95	1665307C91	65
161080R3	61, 63	508653	87, 93	1665308C1	65
210017	81, 83	508654	87, 93	1665309C91	65
210180	85	508655	87, 93	1665315C1	65
210184	91	508656	87, 93	1665324C1	65
211462	87, 93	510870	85	1665331C91	65
211463	87, 93	511571	93	1665332C1	65
211465	87	513362	95	1665334C1	65
211466	87	571354C91	69	1665336C91	67
211467	87	573551C91	73	1665338C91	67
211468	87	583164C1	53, 59	1665339C91	67
211469	87	586045C1	53, 57, 58, 63, 65, 67	1665340C91	67
211470	87	587212C1	53, 59	1665341C91	67
211471	87	592534C92	53, 59, 65	1665342C91	67
211472	87	597107C1	73	1665350C91	67
211473	87	597109C1	73	1665354C91	69
211474	87	597110C1	71	1665355C91	69
211475	87	597132C91	73	1665357C91	69
211476	87	597133C91	73	1665358C91	69
211477	87, 93	597135C91	73	1665359C91	69
211478	89, 95	597137C91	71	1665360C91	69
211480	89	597138C91	71	1665361C91	69
211481	89	597139C91	71	1665363C91	69
211482	89	597140C91	71	1665367C91	69
211483	89	597147C1	71	1665368C91	69
211484	89	597148C1	71, 73	1665369C91	69
211485	89	597149C1	73	1665371C91	69
211486	89	597150C1	71	1665380C1	65
211487	89	597155C1	71	1671760C1	75
211488	89	597156C1	73	1691146C2	55, 61
211489	89	597164C1	73	1691152C1	53, 57, 59, 65, 69, 75
211490	89	597165C1	71	1691251C1	71, 73
211491	89	597166C1	73	1693019C91	65
211492	89	597167C1	71	1694169C91	55, 57
211493	89, 95	597168C1	73	1696471C1	71, 73, 77
211494	89, 95	597169C1	71	1696472C1	53, 59
213608	79	597170C1	73	1696474C1	55, 57, 59, 63, 65, 69
216226	85	597171C1	71	1696994C91	55, 57, 67, 69, 75, 77
217980	81	597172C1	73	1697148C91	77
217981	81	597173C1	71	1697149C91	77
217982	81	597174C1	71, 73	1697150C91	77
217983	81	597176C1	71, 73	1697151C91	77
217984	81	597179C91	73	1697152C91	77
217985	81	597184C91	73	1697154C91	77
217996	83	597185C91	71	1697156C91	77
217997	83	597194C1	71, 73	1697159C91	77
217998	83	597236C91	55, 57	1697160C91	77
218000	83	597237C91	55, 57	1697352C91	59, 63
218001	83	597238C91	55, 57	1698369C91	55, 57
218002	83	597239C91	55, 57	2500275C1	53, 59
218004	83	597240C91	55, 57	2500276C1	53
218005	83	597241C91	55, 57	2500277C1	59
241278R1	75	597242C91	55, 57	2501606C91	53, 59
241281R1	75	597243C91	55, 57	A1-1205-Y-2729	45, 49
378066R1	53, 59, 65	597244C91	55, 57	A1-1205-Z-2730	21, 25
393979C1	53, 57, 65, 69	597245C91	55, 57	A1-1228-P-1004	39
401300	85	597248C91	61, 63	A1-2297-B-4240	49
454719C2	57	597249C91	61, 63	A1-3235-A-2393	29, 33
454719C91	69	597250C91	61, 63	A1-3297-X-1194	33
463404C93	53, 59	597251C91	61, 63	A1-3297-Z-1014	45, 49
463412C1	53, 58, 77	597252C91	61, 63	A2-3235-C-2109	39
463413C1	53, 59, 77	597253C91	61, 63	A2-3235-E-2111	39
463415C2	53, 58	597254C91	61, 63	A2-3235-G-2113	39



PART NUMBER	PAGE	PART NUMBER	PAGE	PART NUMBER	PAGE
A3-3235-A-2393	29, 33	B-41282-1	15, 19	MUB1307UM	85, 91
A3-3235-F-1800	45, 49	B-41284-1	7, 11, 15, 19	MUB1308UM	71
A-1199-U-4025	17	B-41456-1	23, 27	MUB5206UM	75
A-1205-G-2425	43, 47	B-41466-1	7, 11, 15, 19	MUB7307UM	89, 95
A-1205-N-1496	53	B-41498-1	23, 27	MUS1307BUM	83
A-1205-U-1685	51	B-41512-1	7, 11, 15, 19	MUSB1307BUM	73
A-1205-X-2728	13, 16	B-41514-1	7, 11, 15, 19	MUSB7307UM	79, 83
A-2297-D-5334	13, 19	B-41532-1	23, 27	MWA-506	11, 19, 27, 41
A-3226-D-1226	13, 16	B-41534-1	23, 27	MWA-512	29, 33, 37, 39
A-3226-H-1126	29, 33	B-41540-1	23, 27	NP105857	93, 95
A-3226-M-1053	21, 25	B-41542-1	23, 27	NP193660	91
A-3226-R-1006	37, 39	B-41544-1	23, 27	NP242732	91
A-3226-V-1296	5, 8	B-41548-1	23, 27	NP380290	93, 95
A-3235-P-2746	5, 9, 13, 17	B-41552-1	23, 27	NP523912	95
A-3235-W-2025	5, 9, 13, 17	B-41562-1	7, 11, 15, 19	NP533133	93, 95
A-3261-L-350	5, 9, 13, 17, 29, 33	B-41678-1	7, 11, 15, 19	NP611140	91, 95
A-3296-T-150	45, 49	B-41680-1	7, 11, 15, 19	NP799449	93, 95
A-3297-T-1346	13, 16	B-41684-1	23, 27	NP930036	91
A-3297-U-1347	4, 8	B-41686-1	23, 27	O29HH100	77
A-3303-P-1030	13, 17, 33	B-41716-1	23, 27	R945007	4, 8, 29, 33
A-37278-2	43, 45, 47, 49	B-41718-1	7, 11, 15, 19	R945008	4, 8, 45, 49
A-37382-1	51	B-42214-1	7, 11, 15, 19	R945010	37, 39
A-37398-1	43, 45, 47, 49	B-42216-1	7, 11, 15, 19	RU1570UM	21, 25, 43, 47, 51, 65, 69
A-37404-1	43, 45, 47, 49	B-43426-1	23, 27	TP20148	96, 97, 98, 99, 100, 101, 102, 103, 104, 105, 106, 107
A-37530-2	43, 45, 47, 49	GGADG101	73	TRA4860	53
A-37566-1	51	GGAHH106	75	W4860	53
A-38002-1	43, 45, 47, 49	GGAHH109	73	XLS5-1/8AF	53, 59
A-38520-1	51	H506825	75		
A-38730-1	51	H715311	5, 9, 13, 17, 29, 33, 59, 63		
A-38836-1	43, 45, 47, 49	H715334	5, 9, 13, 17		
A-39168-1	51	H715343	29, 33, 59, 63		
A-39170-1	43, 45, 47, 49	HM807010	65, 79		
A-39424-1	51	HM807049	65, 79		
A-39662-1	31, 35	HM813810	29, 33, 37, 39, 59, 63		
A-39664-1	31, 35	HM813843	29, 33, 37, 39		
A-39674-1	31, 35	HM813844	59, 63		
A-39876-1	31, 35	JLM710910	5, 9, 13, 17, 45, 49		
A-39878-1	31, 35	JLM710910C	53, 58, 65		
A-39880-1	31, 35	JLM710949	13, 17		
A-39882-1	31, 35	JLM710949C	5, 9, 45, 49, 53, 59, 65		
A-39884-5	37, 41	JLM714110	29, 33		
A-39886-5	37, 41	JLM714149	29, 33		
A-39888-5	37, 41	JM511910	45, 49		
A-39890-5	37, 41	JM511945	5, 9, 13, 17		
A-39904-5	37, 41	JM511946	45, 49		
A-39906-5	37, 41	JM716610	7, 11, 15, 23, 26, 43, 47, 51, 71		
A-40024-5	37, 41	JM716649	7, 11, 15, 23, 26, 43, 47, 51, 71		
A-40104-5	37, 41	JM822010	71		
A-40106-5	37, 41	JM822049	71		
A-40110-5	37, 41	JP10010	18		
A-40116-5	37, 41	JP10049	18		
A-40122-5	37, 41	KIT 2426	35		
A-41104-1	7, 11, 15, 19	KIT 1568	21, 25		
A-41272-1	23, 27	KIT 1592	37, 39		
A-41304-1	23, 27	KIT 2266	45, 49		
A-41458-1	23, 27	KIT 2313	21, 25		
A-41460-1	23, 27	KIT 2317	7, 11, 15, 18, 23, 26		
A-41462-1	23, 27	KIT 2426	31, 37, 39		
A-41468-1	7, 11, 15, 19	KIT 2429	29, 33		
A-41470-1	7, 11, 15, 19	KIT 2637	21, 25		
A-41472-1	7, 11, 15, 19	KIT 2638	5, 9, 13, 17, 29, 33, 37, 39		
A-41474-1	7, 11, 15, 19	KIT 2759	7, 11, 15, 19, 23, 27		
A-41510-1	7, 11, 15, 19	KIT 2825	5, 9, 13, 17, 29, 33		
A-41572-1	37, 41	KIT 4007	5, 9, 13, 17		
A-41676-1	7, 11, 15, 19	LM603011	43, 47		
B3624	65	LM603049	43, 47		
B-39892-1	31, 35	M802011	53, 59		
B-41164-1	23, 27	M802048	53, 59		
B-41268-1	23, 27	MA1209EL	81		
B-41274-1	23, 27	MN-312-1	5, 9, 13, 17, 29, 33		
B-41276-1	7, 11, 15, 19	MS-208016-1	5, 9, 29		
B-41278-1	7, 11, 15, 19	MS-208045-1	13, 17, 33		
B-41280-1	7, 11, 15, 19	MU1307UM	53, 57		
B-41282-1	7, 11	MU1308UM	59, 63		





**MERITOR**

**Meritor Heavy Vehicle Systems, LLC**  
7975 Dixie Highway  
Florence, KY 41042 USA

**For more information:**

**U.S. 888-725-9355**

**Canada 800-387-3889**

**[MeritorPartsOnline.com](http://MeritorPartsOnline.com)**

**[meritor.com](http://meritor.com)**



**MERITOR**

**Meritor Heavy Vehicle Systems, LLC**  
7975 Dixie Highway  
Florence, KY 41042 USA

**For more information:**

**U.S. 888-725-9355**

**Canada 800-387-3889**

**[MeritorPartsOnline.com](http://MeritorPartsOnline.com)**

**[meritor.com](http://meritor.com)**